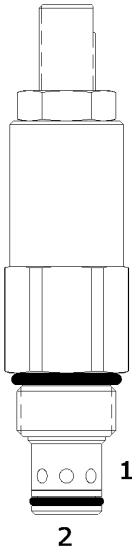


DE-RVP PILOT OPERATED RELIEF VALVE

DESCRIPTION

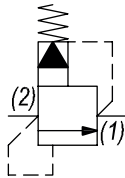
10 size, 7/8-14 thread, "Delta" series, pilot operated relief valve.

OPERATION

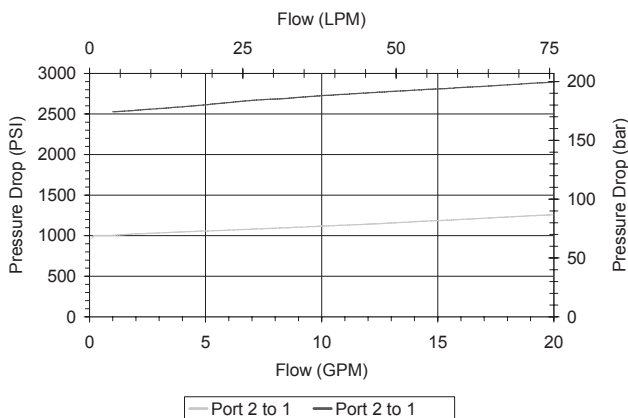
The DE-RVP blocks flow from (2) to (1) until sufficient pressure is present at (2) to force the pilot stage open, allowing the main stage to shift, opening (2) to (1). The cartridge offers smooth transition in response to load changes in common hydraulic circuits.

FEATURES

- Hardened parts for long life.
- Industry common cavity.

HYDRAULIC SYMBOL

PERFORMANCE

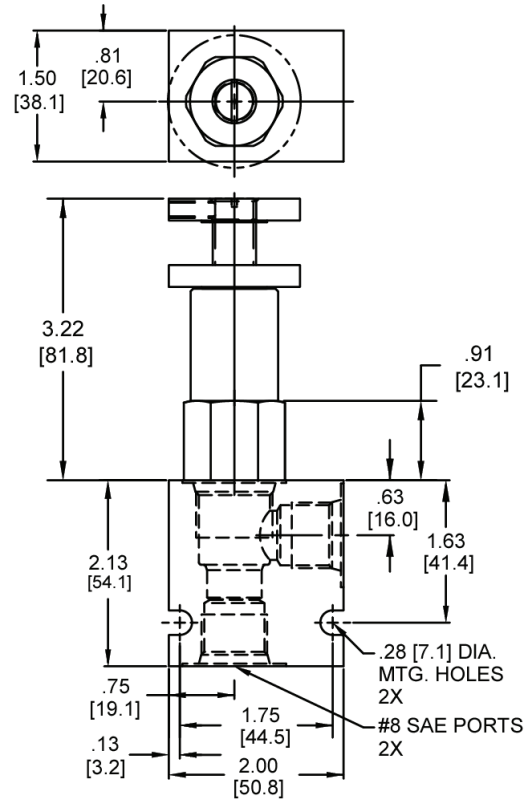
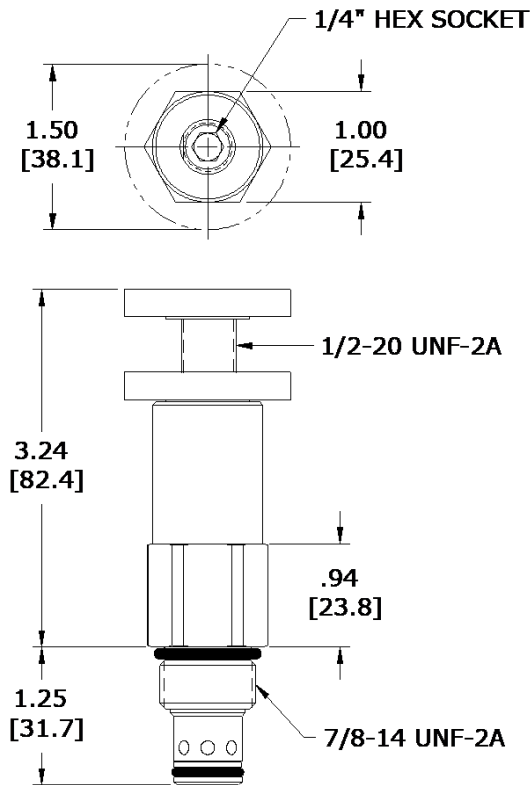
Actual Test Data (Cartridge Only)


VALVE SPECIFICATIONS

Nominal Flow	20 GPM (76 LPM)
Rated Operating Pressure	4000 PSI (276 bar)
Viscosity Range	36 to 3000 SSU (3 to 647 cSt)
Filtration	ISO 18/16/13
Media Operating Temp. Range	-40° to 250°F (-40° to 120°C)
Weight	.56 lbs (.25 kg)
Operating Fluid Media	General Purpose Hydraulic Fluid
Cartridge Torque Requirements	30 ft-lbs (40.6 Nm)
Cavity	DELTA 2W
Cavity Form Tool (Finishing)	40500000
Seal Kit	21191200

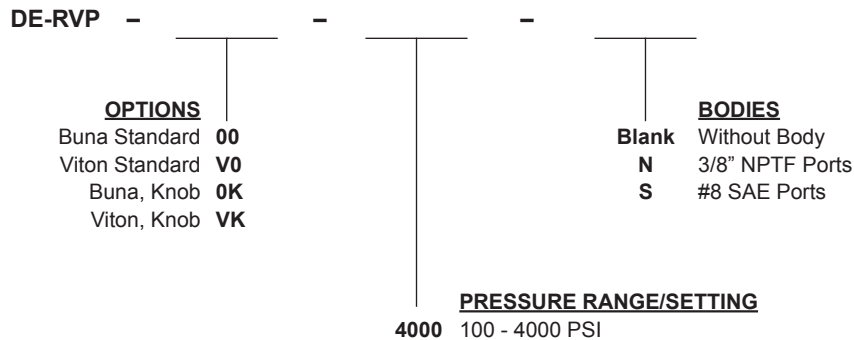
WARNING: the specifications/application data shown in our catalogs and data sheets are intended only as a general guide for the product described (herein). Any specific application should not be undertaken without independent study, evaluation, and testing for suitability.

DIMENSIONS



Body Weight: .47 lbs (.21 kg)

ORDERING INFORMATION



W/51 / 12-2022

WARNING: the specifications/application data shown in our catalogs and data sheets are intended only as a general guide for the product described (herein). Any specific application should not be undertaken without independent study, evaluation, and testing for suitability.