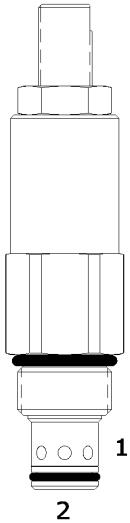


DE-RVR PILOT OPERATED RELIEF VALVE, WITH REVERSE FLOW

DESCRIPTION

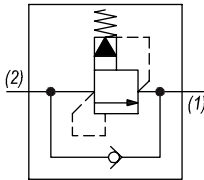
10 size, 7/8-14 thread, "Delta" series, pilot operated relief valve with reverse flow.

OPERATION

The DE-RVR blocks flow from (2) to (1) until sufficient pressure is present at (2) to force the pilot stage open, allowing the main stage to shift, opening (2) to (1). The relief flow path is from (2) to (1). Free reverse flow, from (1) to (2), occurs when the pressure at (1) is at least 10 PSI (.7 bar) higher than at port (2).

FEATURES

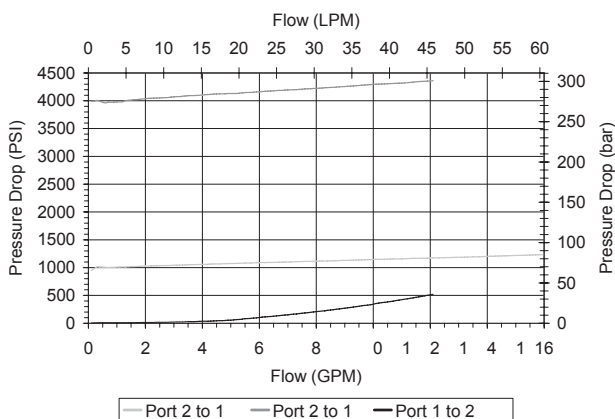
- Hardened parts for long life.
- Industry common cavity.

HYDRAULIC SYMBOL


Consult Chart for flow capacity port (1) to (2).

PERFORMANCE

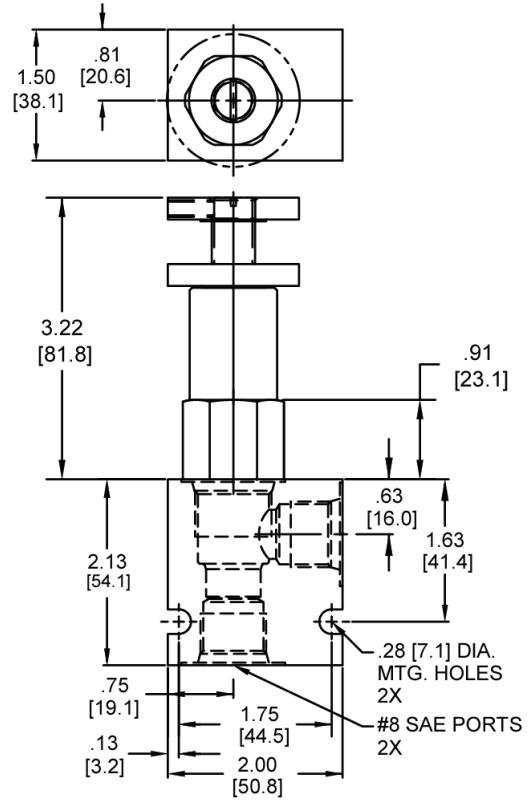
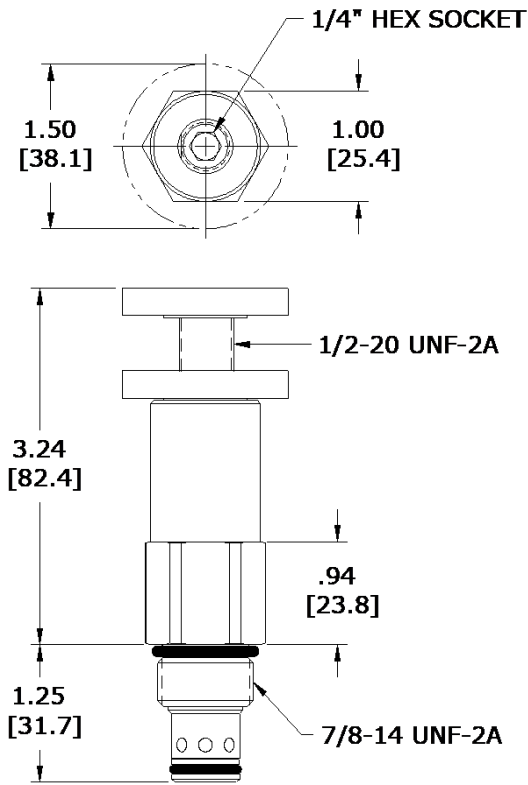
Actual Test Data (Cartridge Only)


VALVE SPECIFICATIONS

Nominal Flow	15 GPM (57 LPM)
Rated Operating Pressure	4000 PSI (276 bar)
Viscosity Range	36 to 3000 SSU (3 to 647 cSt)
Filtration	ISO 18/16/13
Media Operating Temp. Range	-40° to 250°F (-40° to 120°C)
Weight	.56 lbs (.25 kg)
Operating Fluid Media	General Purpose Hydraulic Fluid
Cartridge Torque Requirements	30 ft-lbs (40.6 Nm)
Cavity	DELTA 2W
Cavity Form Tool (Finishing)	40500000
Seal Kit	21191200

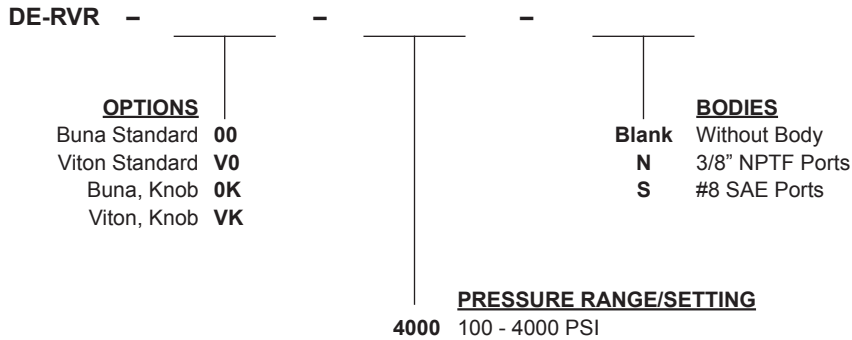
WARNING: the specifications/application data shown in our catalogs and data sheets are intended only as a general guide for the product described (herein). Any specific application should not be undertaken without independent study, evaluation, and testing for suitability.

DIMENSIONS



Body Weight: .47 lbs (.21 kg)

ORDERING INFORMATION



W/51 / 12-2022

WARNING: the specifications/application data shown in our catalogs and data sheets are intended only as a general guide for the product described (herein). Any specific application should not be undertaken without independent study, evaluation, and testing for suitability.