

**DF-PCS PRESSURE COMPENSATING VALVE, RESTRICTIVE TYPE**
**DESCRIPTION**

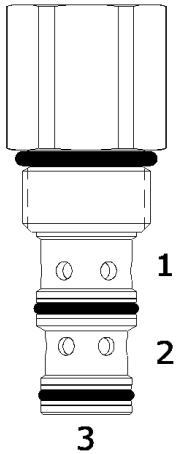
10 size, 7/8-14 thread, "Delta" series, pressure compensating valve, restrictive type.

**OPERATION**

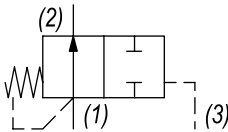
The DF-PCS allows pressure compensated flow from (1) to (2) regulated by the pressure present at (3). The spring chamber is constantly vented at (1).

**FEATURES**

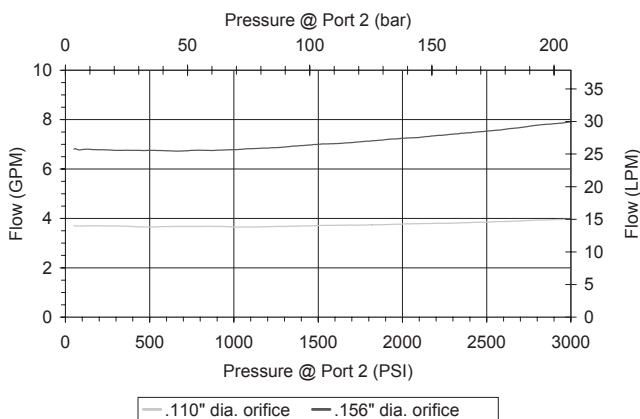
- Hardened parts for long life.
- Industry common cavity.


**HYDRAULIC SYMBOL**


Pressure compensator for flow control, typically used with an external orifice inline with port (1). Port (3) should sense upstream pressure of orifice.


**PERFORMANCE**

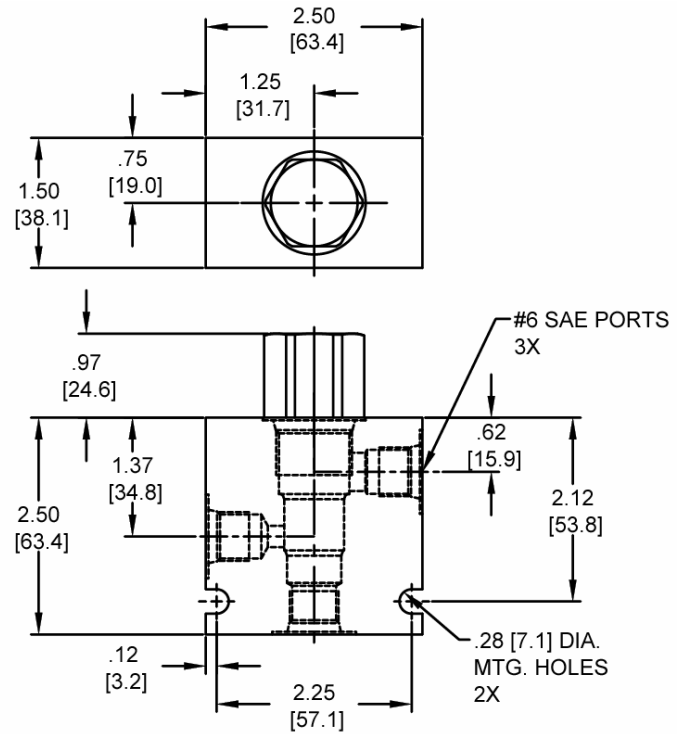
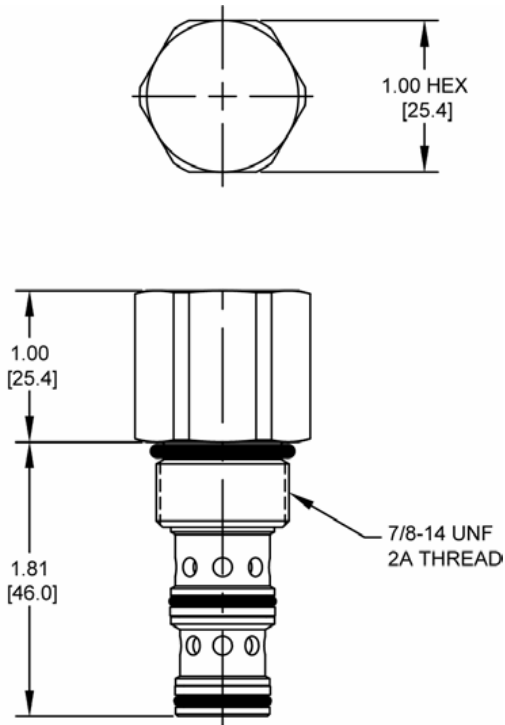
Actual Test Data (Cartridge Only)


**VALVE SPECIFICATIONS**

Nominal Flow	10 GPM (38 LPM)
Rated Operating Pressure	3500 PSI (241 bar)
Typical Internal Leakage (150 SSU)	5 cu in/min (82 ml/min) per path
Viscosity Range	36 to 3000 SSU (3 to 647 cSt)
Filtration	ISO 18/16/13
Media Operating Temp. Range	-40° to 250°F (-40° to 120°C)
Weight	.35 lbs (.16 kg)
Operating Fluid Media	General Purpose Hydraulic Fluid
Cartridge Torque Requirements	30 ft-lbs (40.6 Nm)
Cavity	DELTA 3W
Cavity Form Tool (Finishing)	40500001
Seal Kit	21191210

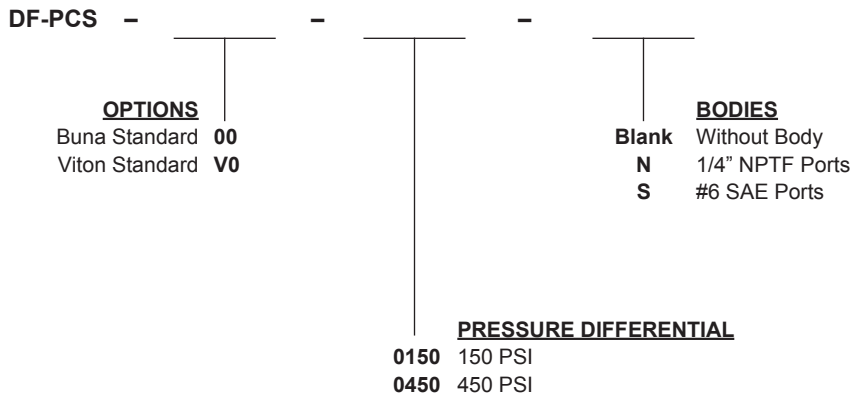
**WARNING:** the specifications/application data shown in our catalogs and data sheets are intended only as a general guide for the product described (herein). Any specific application should not be undertaken without independent study, evaluation, and testing for suitability.

**DIMENSIONS**



Body Weight: .76 lbs (.35 kg)

**ORDERING INFORMATION**



Differential Pressure Across External Controlling Orifice

W/51 / 12-2022

**WARNING:** the specifications/application data shown in our catalogs and data sheets are intended only as a general guide for the product described (herein). Any specific application should not be undertaken without independent study, evaluation, and testing for suitability.