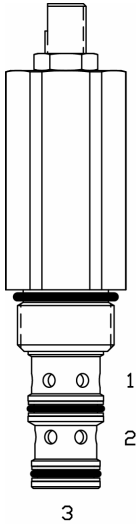


DF-PCT ADJUSTABLE PRESSURE COMPENSATING VALVE, RESTRICTIVE TYPE

DESCRIPTION

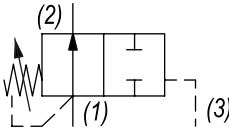
10 size, 7/8-14 thread, "Delta" series, pressure compensating valve, restrictive type.

OPERATION

The DF-PCT with an external orifice in front of port (1) allows pressure compensated flow from (1) to (2), regulated by the pressure present at (3). The spring chamber is constantly vented at (1).

FEATURES

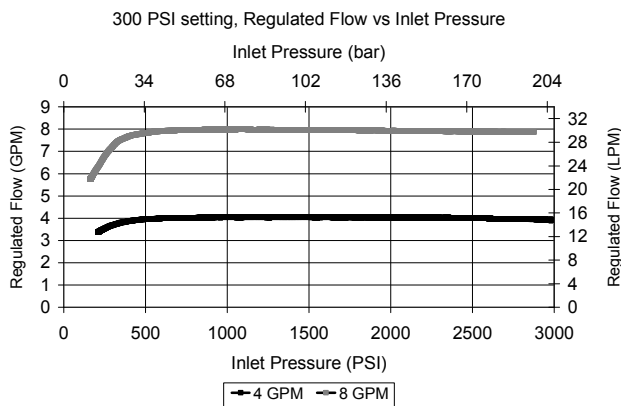
- Hardened parts for long life.
- Industry common cavity.

HYDRAULIC SYMBOL


Can be used as an adjustable logic element. For fixed version see DF-PCS. For higher spring differential pressure ranges consult factory.

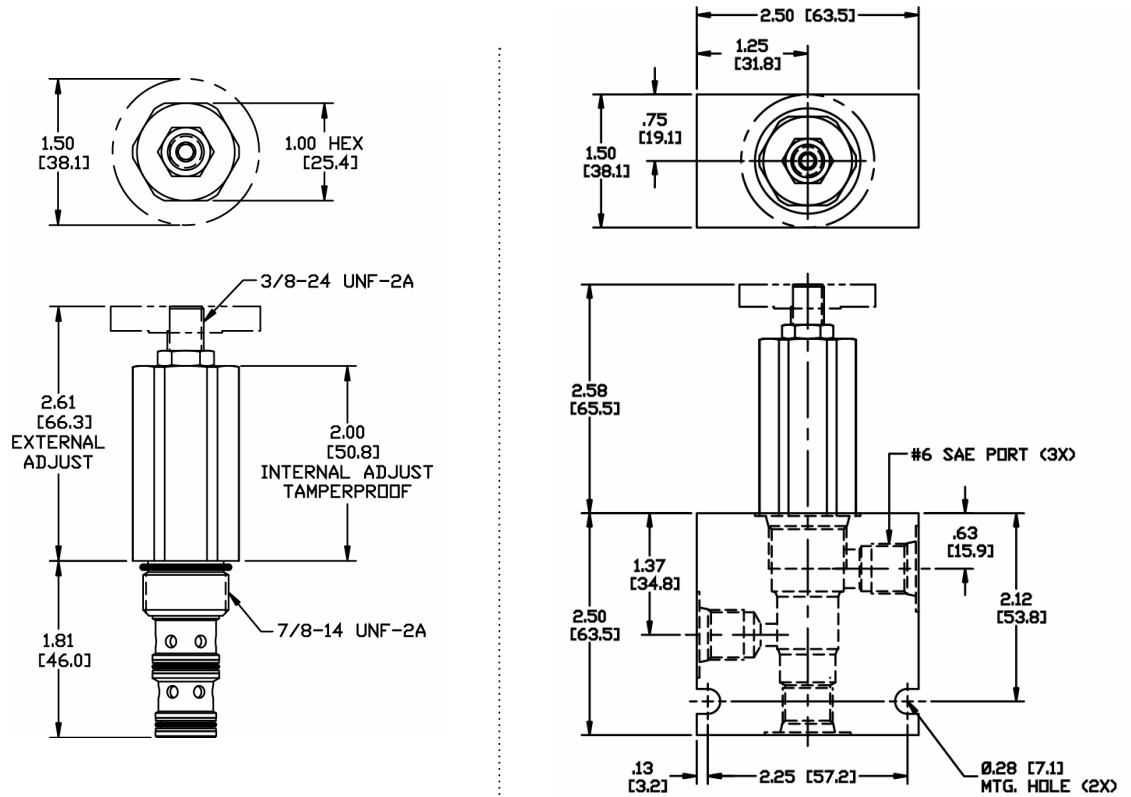
PERFORMANCE

Actual Test Data (Cartridge Only)


VALVE SPECIFICATIONS

Nominal Flow	10 GPM (38 LPM)
Rated Operating Pressure	3500 PSI (241 bar)
Typical Internal Leakage (150 SSU)	5 cu in/min (82 ml/min) per path
Viscosity Range	36 to 3000 SSU (3 to 647 cSt)
Filtration	ISO 18/16/13
Media Operating Temp. Range	-40° to 250°F (-40° to 120°C)
Weight	.60 lbs (.27 kg)
Operating Fluid Media	General Purpose Hydraulic Fluid
Cartridge Torque Requirements	30 ft-lbs (40.6 Nm)
Cavity	DELTA 3W
Cavity Form Tool (Finishing)	40500001
Seal Kit	21191210

WARNING: the specifications/application data shown in our catalogs and data sheets are intended only as a general guide for the product described (herein). Any specific application should not be undertaken without independent study, evaluation, and testing for suitability.

DIMENSIONS


Body Weight: .76 lbs (.35 kg)

ORDERING INFORMATION

DF-PCT - - -	OPTIONS Buna Standard 00 Viton Standard V0 Buna, Knob 0K Viton, Knob VK Buna, Internal Adjust 0I Viton, Internal Adjust VI Buna, Tamper Proof 0T Viton, Tamper Proof VT	BODIES Blank Without Body N 1/4" NPTF Ports S #6 SAE Ports
	0300	PRESSURE RANGE 50 - 300 PSI

 Differential Pressure Across
External Controlling Orifice

Tamper Proof
 Fill in 4 Digit Pressure Setting
 Example: 0200 - 200 PSI