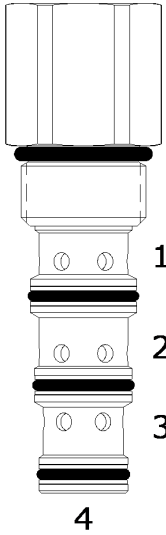


**DG-PTO SEQUENCE VALVE, NORMALLY CLOSED, EXTERNAL PILOT**

**DESCRIPTION**

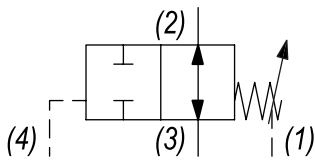
10 size, 7/8-14 thread, "Delta" series, external pilot, normally closed.

**OPERATION**

The DG-PTO blocks flow at ports (3) and (2). On attainment of a predetermined pressure at port (4), the valve shifts to allow flow from port (3) to (2). Spring Chamber is constantly vented to port (1).

**FEATURES**

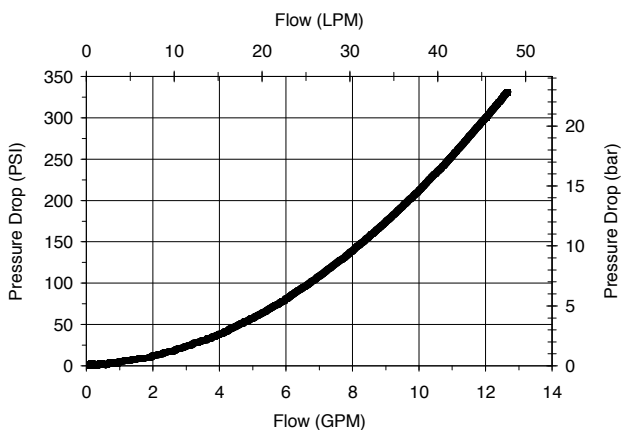
- Hardened parts for long life.
- Industry common cavity.

**HYDRAULIC SYMBOL**


*Orifice .030 to .060 diameter recommended beneath port (4).*

**PERFORMANCE**

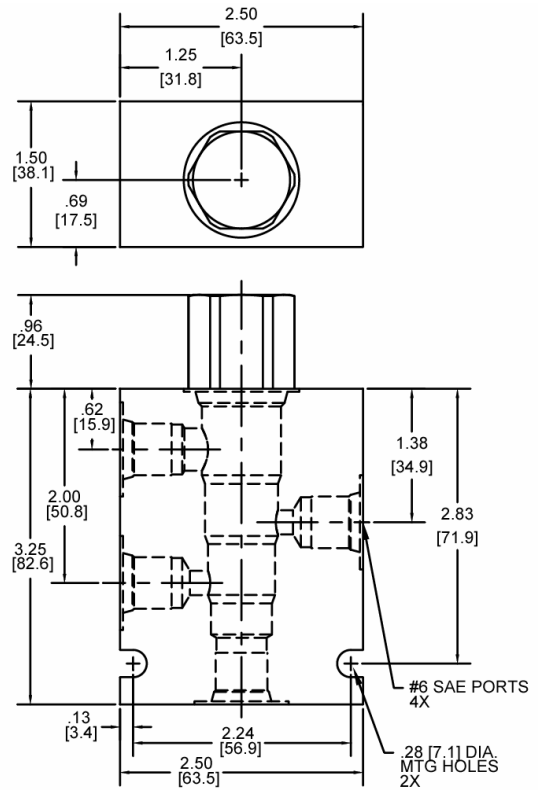
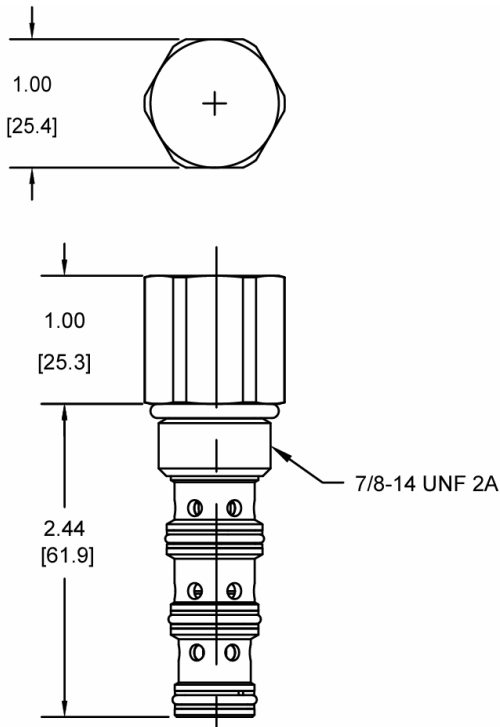
Actual Test Data (Cartridge Only)


**VALVE SPECIFICATIONS**

Nominal Flow	10 GPM (38 LTR/M)
Rated Operating Pressure	3000 PSI (207 bar)
Typical Internal Leakage (150 SSU)	5 cu in/min (82 ml/min)
Viscosity Range	36 to 3000 SSU (3 to 647 cSt)
Filtration	ISO 18/16/13
Media Operating Temp. Range	-40° to 250°F (-40° to 120°C)
Weight	.39 lbs (.17 kg)
Operating Fluid Media	General Purpose Hydraulic Fluid
Cartridge Torque Requirements	30 ft-lbs (40.6 Nm)
Cavity	DELTA 4W
Cavity Form Tool (Finishing)	40500002
Seal Kit	21191108

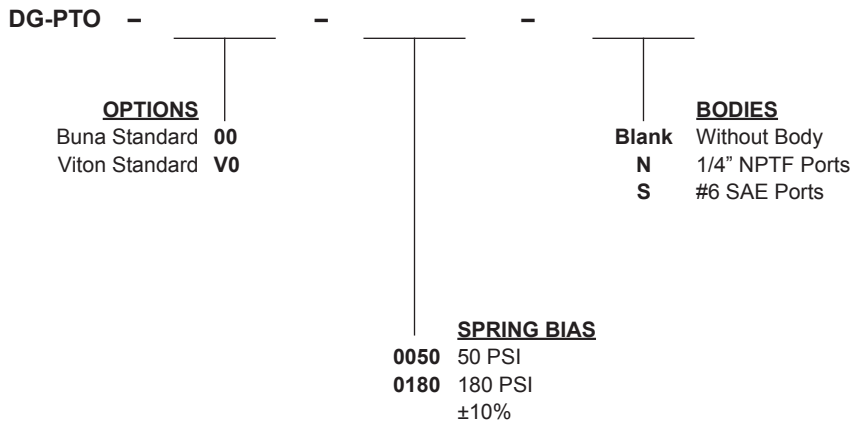
**WARNING:** the specifications/application data shown in our catalogs and data sheets are intended only as a general guide for the product described (herein). Any specific application should not be undertaken without independent study, evaluation, and testing for suitability.

**DIMENSIONS**



Body Weight: .99 lbs (.45 kg)

**ORDERING INFORMATION**



W/51 / 12-2022

**WARNING:** the specifications/application data shown in our catalogs and data sheets are intended only as a general guide for the product described (herein). Any specific application should not be undertaken without independent study, evaluation, and testing for suitability.