

HDE-PSD PRESSURE SHUT DOWN VALVE
DESCRIPTION

"High Pressure" 10 size, 7/8-14 thread, "Delta" series, pressure shut down valve

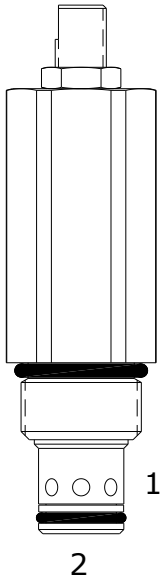
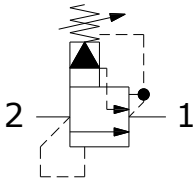
OPERATION

The HDE-PSD blocks flow from (2) to (1) until sufficient pressure is present at (2) to open the pilot, thereby forcing the spool to open and allowing flow from (2) to (1).

The valve stays open until the differential pressure from (2) to (1) decreases to less than 50 PSI (3.4 bar).

FEATURES

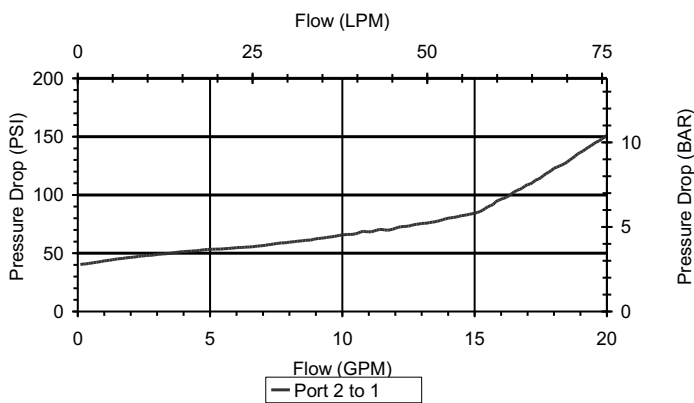
- Hardened parts for long life.
- Industry common cavity.


HYDRAULIC SYMBOL


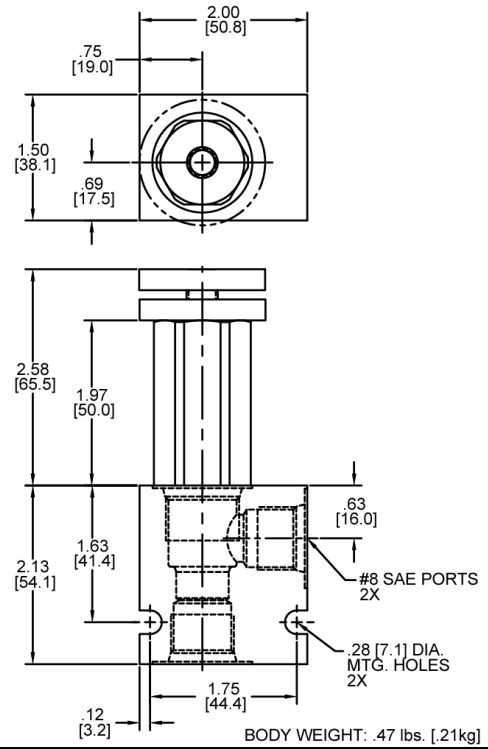
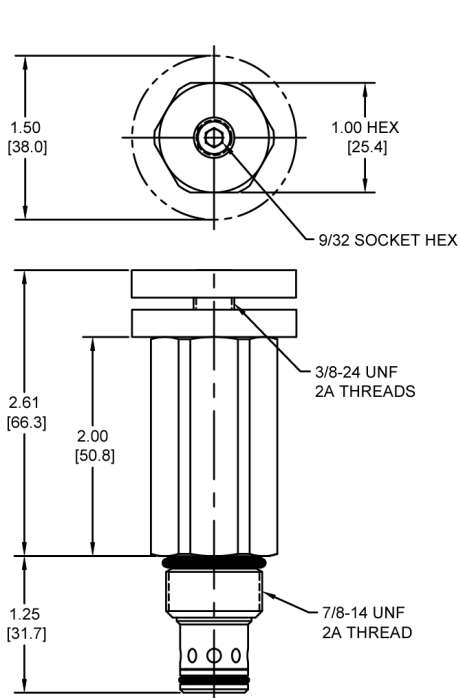
The valve requires flow to be reduced to near zero before the valve will reset.

PERFORMANCE

Actual Test Data (Cartridge Only)


VALVE SPECIFICATIONS

Nominal Flow	15 GPM (57 LPM)
Rated Operating Pressure	4500 PSI (310 bar)
Viscosity Range	36 to 3000 SSU (3 to 647 cSt)
Filtration	ISO 18/16/13
Media Operating Temperature Range	-40° to 250° F (-40° to 120° C)
Weight	0.53 lbs. (0.24 kg)
Operating Fluid Media	General Purpose Hydraulic Fluid
Cartridge Torque Requirements	50 ft-lbs (68 Nm)
Cavity	DELTA 2W
Cavity Form Tool (Finishing)	40500000
Seal Kit	21191200

DIMENSIONS

ORDERING INFORMATION
HDE-PSD

OPTIONS
 Buna Standard **00**
 Viton Standard **V0**
 Buna, Knob **0K**
 Viton, Knob **VK**

Blank
N
S

BODIES
 Without Body
 3/8 NPTF Ports
 #8 SAE Ports

Note: aluminum, NOT durability rated for 4500 PSI. Consult factory for body options.

3000
4500

PRESSURE RANGE/SETTING
 100 – 3000 PSI
 3000 – 4500 PSI

WARNING: the specifications/application data shown in our catalogs and data sheets are intended only as a general guide for the product described (herein). Any specific application should not be undertaken without independent study, evaluation, and testing for suitability.