

HDE-RCD DIFFERENTIAL AREA RELIEF VALVE
DESCRIPTION

"High Pressure" 10 size, 7/8-14 thread, "Delta" series, differential area relief valve

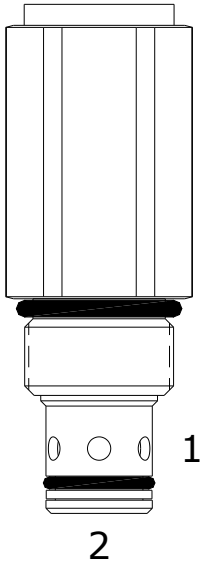
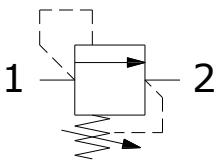
OPERATION

The HDE-RCD blocks flow from (1) to (2) until sufficient pressure is present at (1) to force the poppet to open and allow metered flow from (1) to (2).

The cartridge offers smooth transition in response to load changes in common hydraulic circuits.

FEATURES

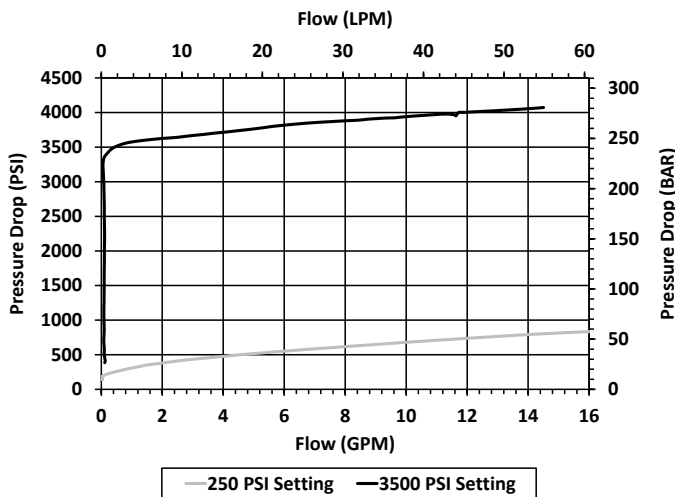
- Hardened parts for long life.
- Industry common cavity.


HYDRAULIC SYMBOL


Installation space saving product.
Valve is factory set and cannot be field adjusted.

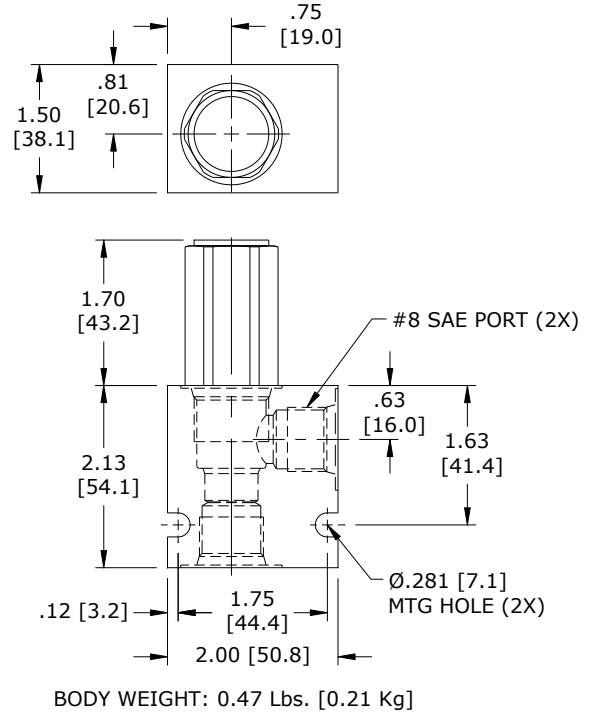
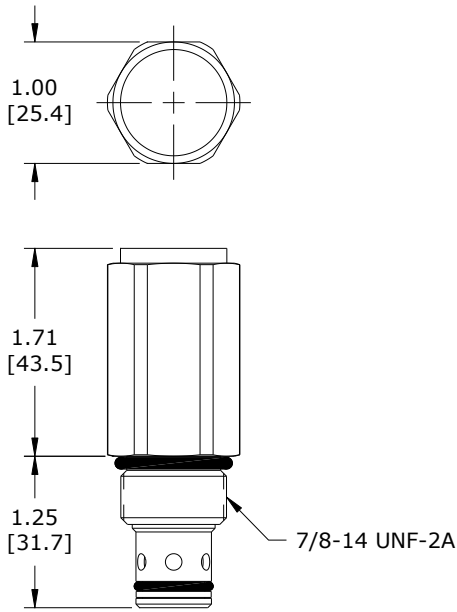
PERFORMANCE

Actual Test Data (Cartridge Only)

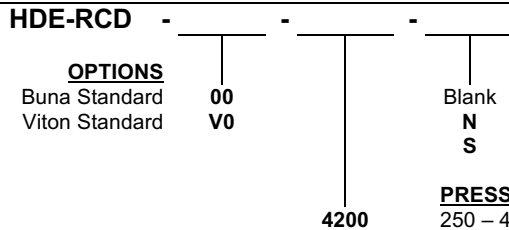

VALVE SPECIFICATIONS

Nominal Flow	15 GPM (57 LPM)
Rated Operating Pressure	4200 PSI (290 bar)
Viscosity Range	36 to 3000 SSU (3 to 647 cSt)
Filtration	ISO 18/16/13
Media Operating Temperature Range	-40° to 250° F (-40° to 120° C)
Weight	0.37 lbs. (0.17 kg)
Operating Fluid Media	General Purpose Hydraulic Fluid
Cartridge Torque Requirements	50 ft-lbs. (68 Nm)
Cavity	DELTA 2W
Cavity Form Tool (Finishing)	40500000
Seal Kit	21191200

DIMENSIONS



ORDERING INFORMATION



BODIES
 Without Body
 3/8 NPTF Ports
 #8 SAE Ports

PRESSURE RANGE
 250 – 4200 PSI

PRESET
 Fill In 4 Digit Pressure Setting
Example: 2000 = 2000 PSI

Note: Aluminum **NOT** durability rated for 4200 PSI. Consult factory for body options.

WARNING: the specifications/application data shown in our catalogs and data sheets are intended only as a general guide for the product described (herein). Any specific application should not be undertaken without independent study, evaluation, and testing for suitability.