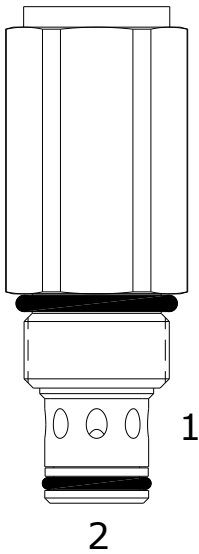


HDE-RCP PILOT OPERATED RELIEF VALVE
DESCRIPTION

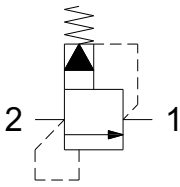
"High Pressure" 10 size, 7/8-14 thread, "Delta" series, pilot operated relief valve.

OPERATION

The HDE-RCP blocks flow from (2) to (1) until sufficient pressure is present at (2) to force the pilot stage open, allowing the main stage to shift, opening (2) to (1).


FEATURES

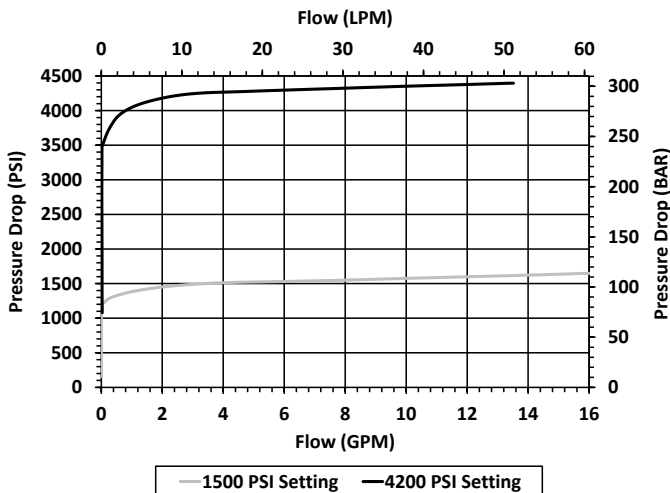
- Hardened parts for long life.
- Industry common cavity.

HYDRAULIC SYMBOL


Installation Space Saving Product.
Valve is factory set and cannot be field adjusted.

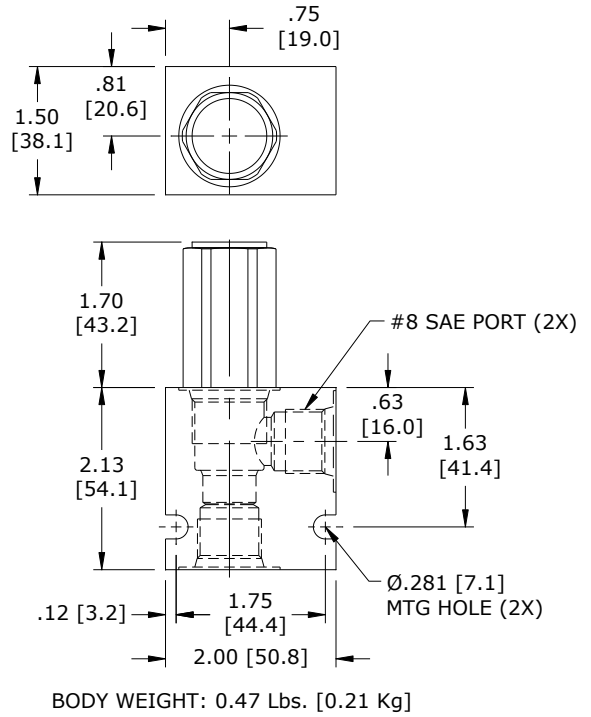
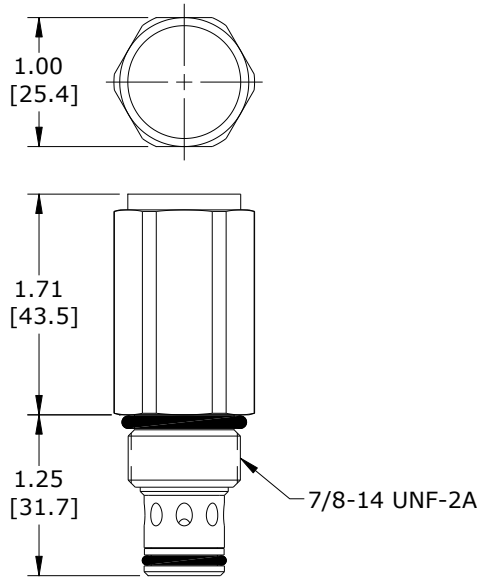
PERFORMANCE

Actual Test Data (Cartridge Only)


VALVE SPECIFICATIONS

| | |
|-----------------------------------|---------------------------------|
| Nominal Flow | 15 GPM (57 LPM) |
| Rated Operating Pressure | 4200 PSI (290 bar) |
| Viscosity Range | 36 to 3000 SSU (3 to 647 cSt) |
| Filtration | ISO 18/16/13 |
| Media Operating Temperature Range | -40° to 250° F (-40° to 120° C) |
| Weight | 0.53 lbs. (0.24 kg) |
| Operating Fluid Media | General Purpose Hydraulic Fluid |
| Cartridge Torque Requirements | 50 ft-lbs (68 Nm) |
| Cavity | DELTA 2W |
| Cavity Form Tool (Finishing) | 40500000 |
| Seal Kit | 21191200 |

DIMENSIONS



ORDERING INFORMATION

HDE-RCP - - - -

OPTIONS
 Buna Standard **00**
 Viton Standard **V0**

BODIES
 Without Body
 3/8 NPTF Ports
 #8 SAE Ports

Note: Aluminum **NOT** durability rated for 4200 PSI. Consult factory for body options.

4200 **PRESSURE RANGE**
 1500 – 4200 PSI

PRESET
 Fill In 4 Digit Pressure Setting
Example: 2000 = 2000 PSI

WARNING: the specifications/application data shown in our catalogs and data sheets are intended only as a general guide for the product described (herein). Any specific application should not be undertaken without independent study, evaluation, and testing for suitability.