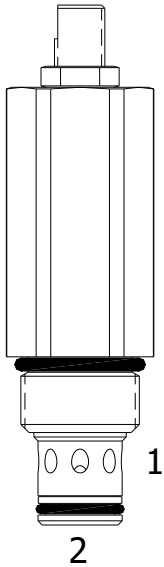


HDE-RWP RAPID RESPONSE, PILOT OPERATED RELIEF VALVE
DESCRIPTION

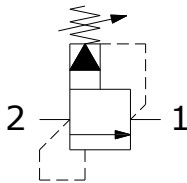
"High Pressure" 10 size, 7/8-14 thread, "Delta" series, high flow, rapid response, pilot operated relief valve.

OPERATION

The HDE-RWP blocks flow from (2) to (1) until sufficient pressure is present at (2) to force the pilot stage open, allowing the main stage to shift, opening (2) to (1).


FEATURES

- High pressure valve.
- Hardened parts for long life.
- Industry common cavity.
- Rapid response to sudden pressure application.
- Excellent regulation of pressure with flow (low override).

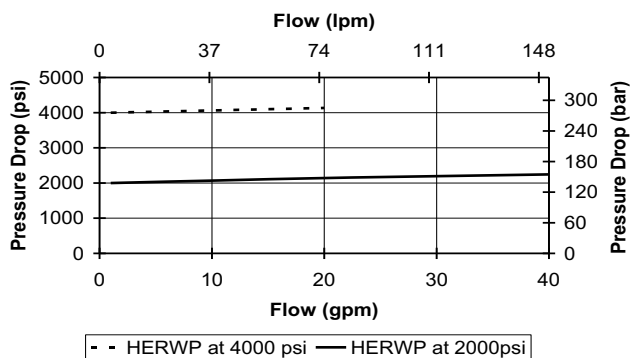
HYDRAULIC SYMBOL


This is a rapid response, high pressure relief valve with excellent high flow regulation. Consult factory for higher flow capacity cavity option.

PERFORMANCE

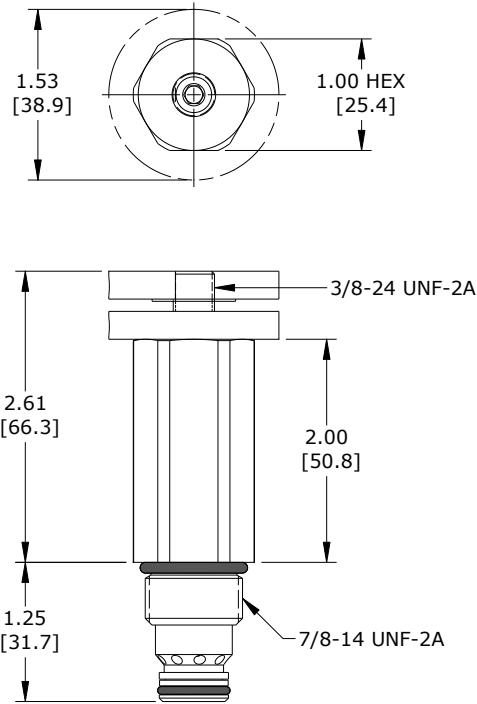
Actual Test Data (Cartridge Only)

HERWP/Pressure drop vs flow

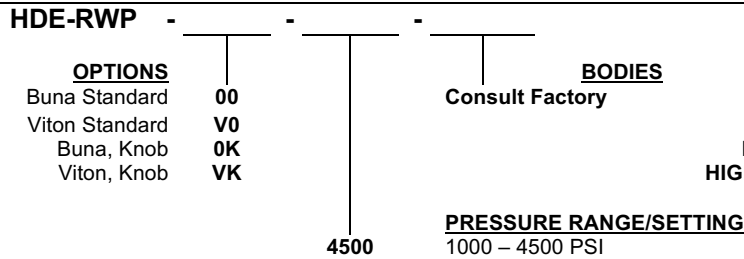

VALVE SPECIFICATIONS

Nominal Flow	40 GPM (151 LPM)
Rated Operating Pressure	4500 PSI (310 bar)
Viscosity Range	36 to 3000 SSU (3 to 647 cSt)
Filtration	ISO 18/16/13
Media Operating Temperature Range	-40° to 250° F (-40° to 120° C)
Weight	0.53 lbs. (0.2 kg)
Operating Fluid Media	General Purpose Hydraulic Fluid
Cartridge Torque Requirements	50 ft-lbs (68 Nm)
Cavity	DELTA 2W
Cavity Form Tool (Finishing)	40500000
Seal Kit	21191200

DIMENSIONS



ORDERING INFORMATION



WARNING
DO NOT USE ALUMINUM BODY
HIGH PRESSURE (4500 PSI) PRODUCT

WARNING: the specifications/application data shown in our catalogs and data sheets are intended only as a general guide for the product described (herein). Any specific application should not be undertaken without independent study, evaluation, and testing for suitability.