

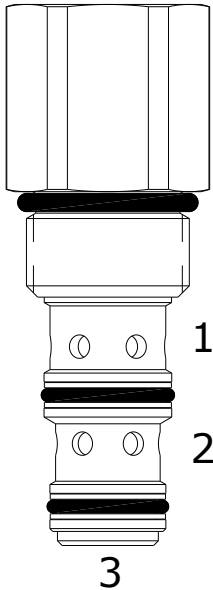
HDF-PCS PRESSURE COMPENSATING VALVE, RESTRICTIVE TYPE
DESCRIPTION

"High Pressure" 10 size, 7/8-14 thread, "Delta" series, pressure compensating valve, restrictive type.

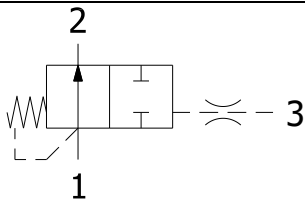
OPERATION

The HDF-PCS allows pressure compensated flow from (1) to (2) regulated by the pressure present at (3).

The spring chamber is internally connected to (1).


FEATURES

- Hardened parts for long life.
- Industry common cavity.

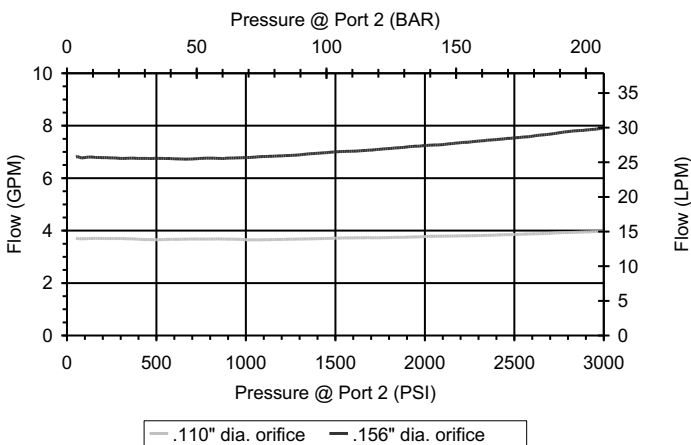
HYDRAULIC SYMBOL


Pressure compensator for flow control, typically used with an external orifice inline with port (1). Port (3) should sense upstream pressure of orifice.

Installation of this valve does not allow for the use of orifice disks beneath the valve in a standard cavity.

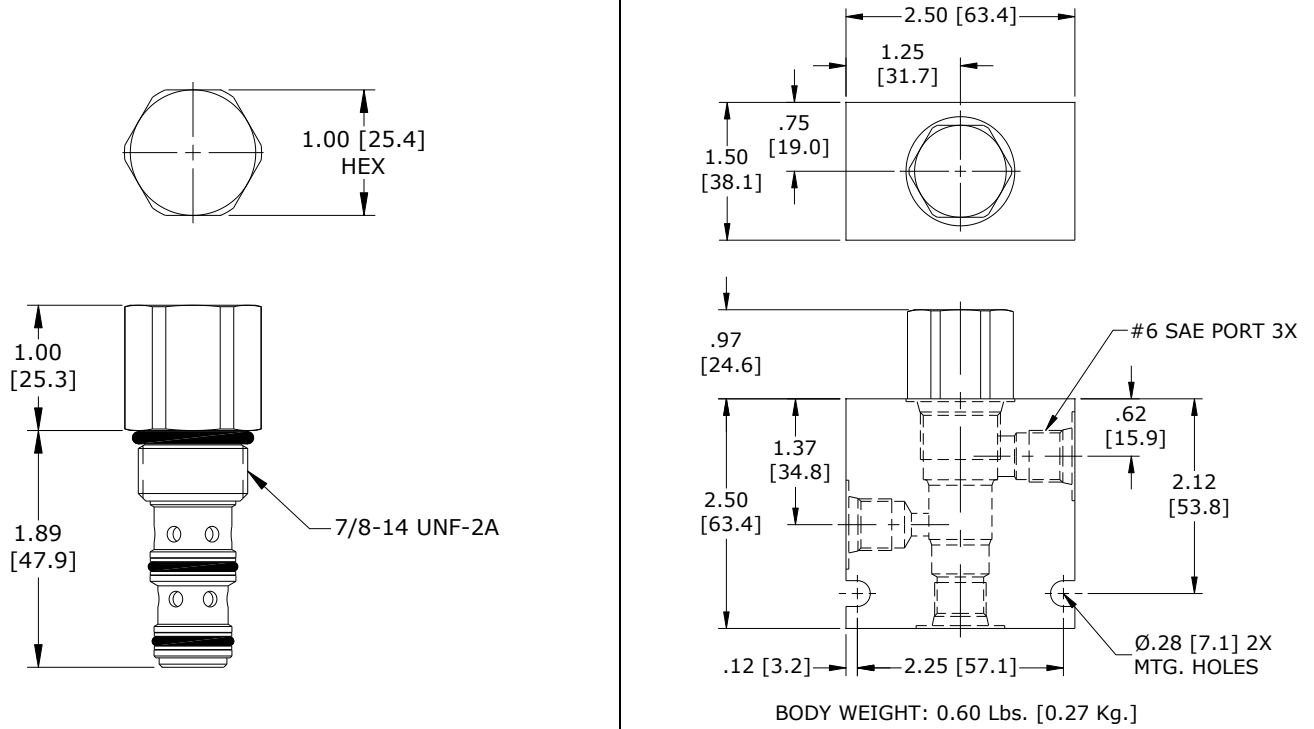
PERFORMANCE

Actual Test Data (Cartridge Only)


VALVE SPECIFICATIONS

Nominal Flow	8 GPM (30 LPM)
Rated Operating Pressure	4200 PSI (290 bar)
Typical Internal Leakage (150 SSU)	5 cu in/min (82 ml/min) per path
Viscosity Range	36 to 3000 SSU (3 to 647 cSt)
Filtration	ISO 18/16/13
Media Operating Temperature Range	-40° to 250° F (-40° to 120° C)
Weight	0.35 lbs. (0.16 kg)
Operating Fluid Media	General Purpose Hydraulic Fluid
Cartridge Torque Requirements	40 ft-lbs (54 Nm)
Cavity	DELTA 3W
Cavity Form Tool (Finishing)	40500001
Seal Kit	21191210

DIMENSIONS



ORDERING INFORMATION

HDF-PCS		-	-	-	-
OPTIONS					BODIES
Buna Standard	00				Without Body
Viton Standard	V0				1/4 NPTF Ports
					#6 SAE Ports
					PRESSURE DIFFERENTIAL
			0150		150 PSI
			0250		250 PSI
					Differential Pressure Across
					External Controlling Orifice

WARNING: the specifications/application data shown in our catalogs and data sheets are intended only as a general guide for the product described (herein). Any specific application should not be undertaken without independent study, evaluation, and testing for suitability.