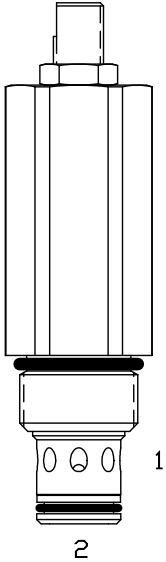


**HE-RWP RAPID RESPONSE, PILOT OPERATED RELIEF VALVE**

**DESCRIPTION**

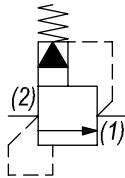
High Pressure, High Flow, Rapid Response, 10 size, 7/8-14 thread, "Delta" series, pilot operated relief valve.

**OPERATION**

The HE-RWP blocks flow from (2) to (1) until sufficient pressure is present at (2) to force the pilot stage open, allowing the main stage to shift, opening (2) to (1).

**FEATURES**

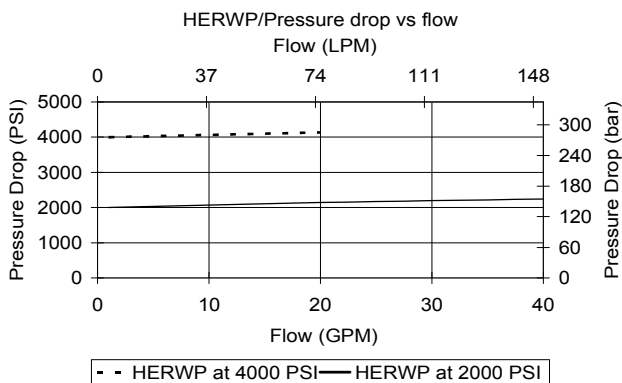
- High pressure valve.
- Hardened parts for long life.
- Industry common cavity.
- Rapid response to sudden pressure application.
- Excellent regulation of pressure with flow (low override).

**HYDRAULIC SYMBOL**


*This is a rapid response, high pressure relief valve with excellent high flow regulation. Consult factory for higher flow capacity cavity option.*

**PERFORMANCE**

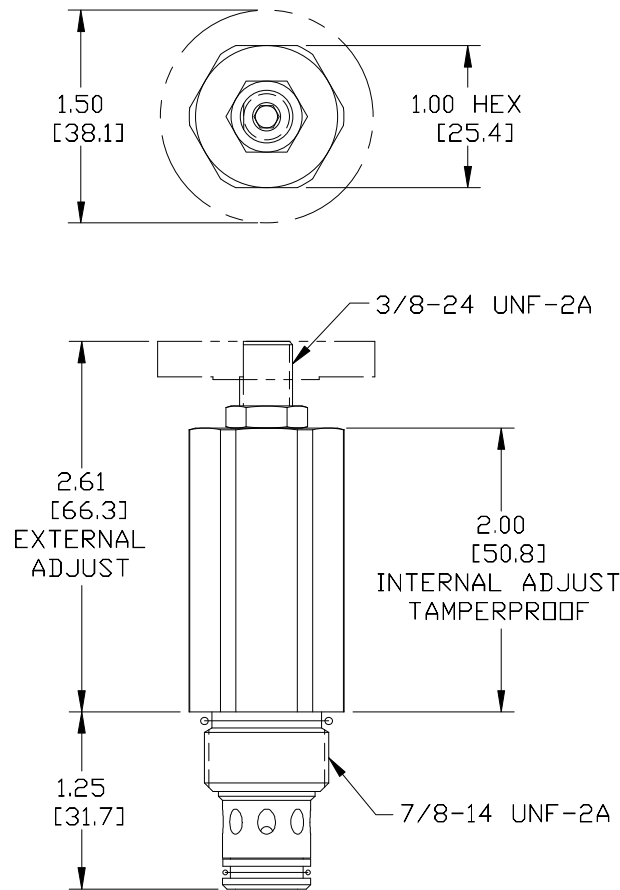
Actual Test Data (Cartridge Only)


**VALVE SPECIFICATIONS**

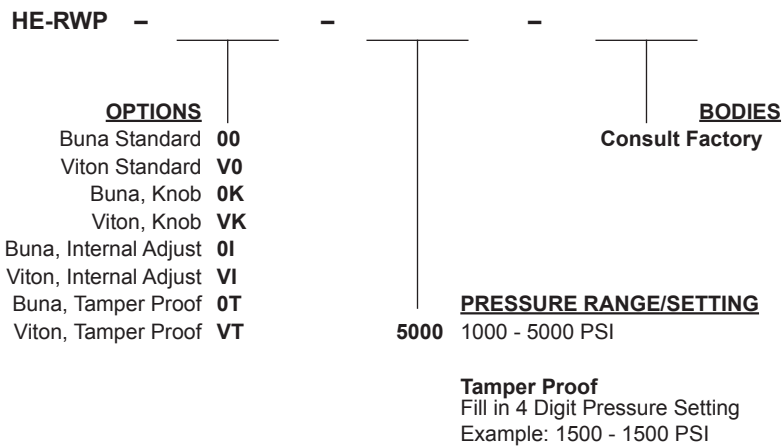
|                               |                                 |
|-------------------------------|---------------------------------|
| Nominal Flow                  | 40 GPM (151 LPM)                |
| Rated Operating Pressure      | 5000 PSI (345 bar)              |
| Viscosity Range               | 36 to 3000 SSU (3 to 647 cSt)   |
| Filtration                    | ISO 18/16/13                    |
| Media Operating Temp. Range   | -40° to 250°F (-40° to 120°C)   |
| Weight                        | .53 lbs (.24 kg)                |
| Operating Fluid Media         | General Purpose Hydraulic Fluid |
| Cartridge Torque Requirements | 30 ft-lbs (40.6 Nm)             |
| Cavity                        | DELTA 2W                        |
| Cavity Form Tool (Finishing)  | 40500000                        |
| Seal Kit                      | 21191200                        |

**WARNING:** the specifications/application data shown in our catalogs and data sheets are intended only as a general guide for the product described (herein). Any specific application should not be undertaken without independent study, evaluation, and testing for suitability.

**DIMENSIONS**



**ORDERING INFORMATION**



**WARNING**  
DO NOT USE ALUMINUM BODY  
HIGH PRESSURE (5000 PSI) PRODUCT

W/51 / 12-2022

**WARNING:** the specifications/application data shown in our catalogs and data sheets are intended only as a general guide for the product described (herein). Any specific application should not be undertaken without independent study, evaluation, and testing for suitability.