

**HMA-RVA DIRECT ACTING RELIEF VALVE**

**DESCRIPTION**

"High Pressure" 7 size, 5/8-18 thread, "Mini" series, direct acting relief valve.

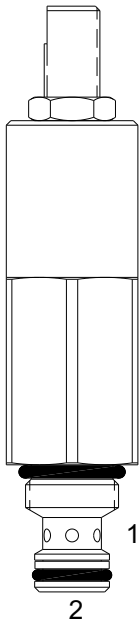
**OPERATION**

The HMA-RVA blocks flow from (2) to (1) until sufficient pressure is present at (2) to force the poppet to open and allow metered flow from (2) to (1)

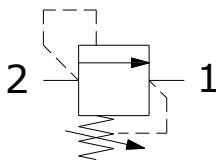
The cartridge offers smooth transition in response to load changes in common hydraulic circuits.

**FEATURES**

- Hardened parts for long life.
- Industry common cavity.



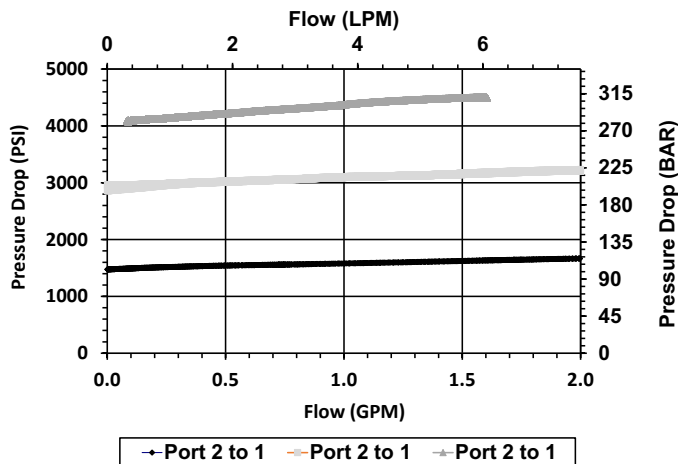
**HYDRAULIC SYMBOL**



Great for pilot control or small power units.

**PERFORMANCE**

Actual Test Data (Cartridge Only)



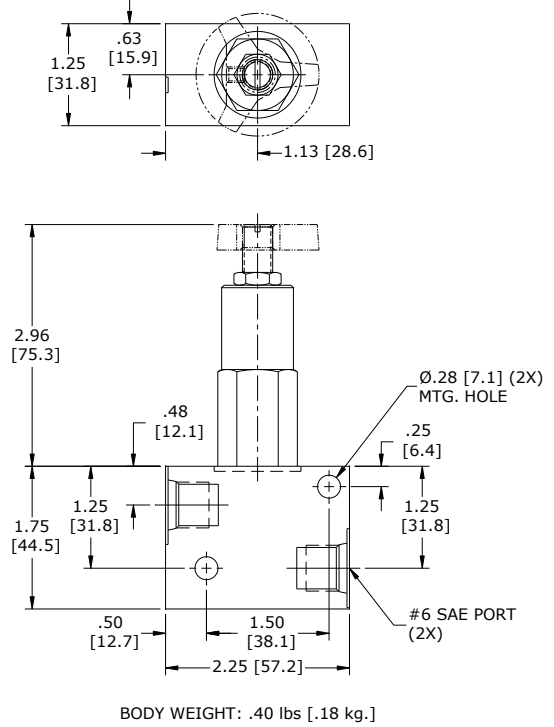
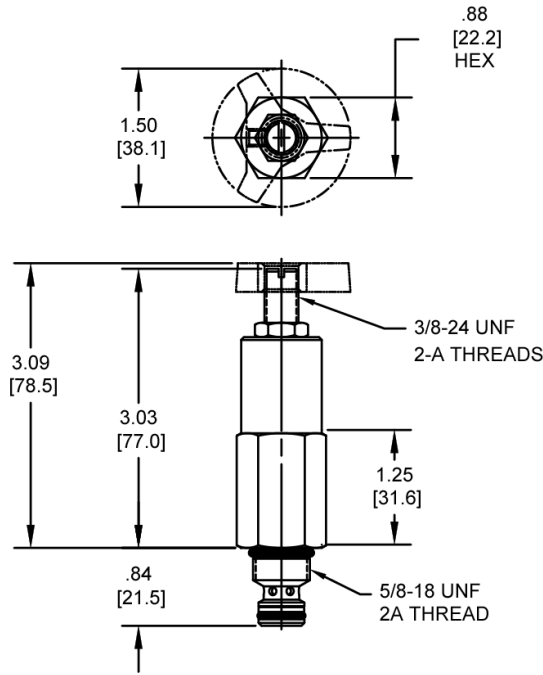
**VALVE SPECIFICATIONS**

Nominal Flow	2 GPM (8 LPM)
Rated Operating Pressure	4200 PSI (290 bar)
Viscosity Range	36 to 3000 SSU (3 to 647 cSt)
Filtration	ISO 18/16/13
Media Operating Temperature Range	-40° to 250° F (-40° to 120° C)
Weight	0.39 lbs. (0.17kg)
Operating Fluid Media	General Purpose Hydraulic Fluid
Cartridge Torque Requirements	15 ft-lbs (20.3 Nm)
Cavity	<a href="#">MINI 2W</a>
Cavity Form Tool (Finishing)	40500003
Seal Kit	21191000

W51 / 2-2023

**WARNING:** the specifications/application data shown in our catalogs and data sheets are intended only as a general guide for the product described (herein). Any specific application should not be undertaken without independent study, evaluation, and testing for suitability.

**DIMENSIONS**



**ORDERING INFORMATION**

<b>HMA-RVA</b>		-	-	-	-	-
<b>OPTIONS</b>						<b>BODIES</b>
Buna Standard	<b>00</b>					Blank
Viton Standard	<b>V0</b>					<b>N</b>
Buna, Knob	<b>0K</b>					¼ NPTF Ports
Viton, Knob	<b>VK</b>					<b>S</b>
						#6 SAE Ports
						<b>PRESSURE RANGE</b>
				1500		500-1500 PSI
				3000		1500-3500 PSI
				4200		2500-4200 PSI

Note: Aluminum **NOT** durability rated for 4200 PSI. Consult factory for body options.

**WARNING:** the specifications/application data shown in our catalogs and data sheets are intended only as a general guide for the product described (herein). Any specific application should not be undertaken without independent study, evaluation, and testing for suitability.