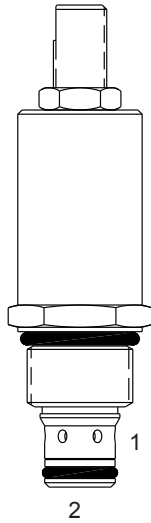


**PB-RVA DIRECT ACTING RELIEF VALVE**

**DESCRIPTION**

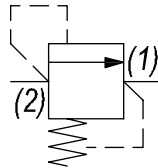
8 size, 3/4-16 thread, "Power" series, direct acting relief valve.

**OPERATION**

The PB-RVA blocks flow from (2) to (1) until sufficient pressure is present at (2) to force the poppet to open and allow metered flow from (2) to (1). The cartridge offers smooth transition in response to load changes in common hydraulic circuits.

**FEATURES**

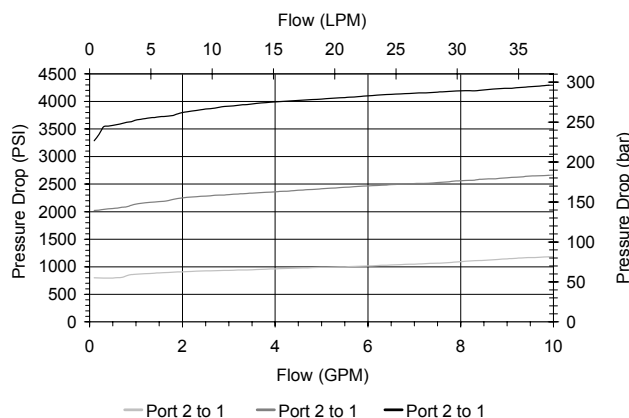
- Hardened parts for long life.
- Industry common cavity.

**HYDRAULIC SYMBOL**


Pressure at port (1) must not exceed 2500 PSI.

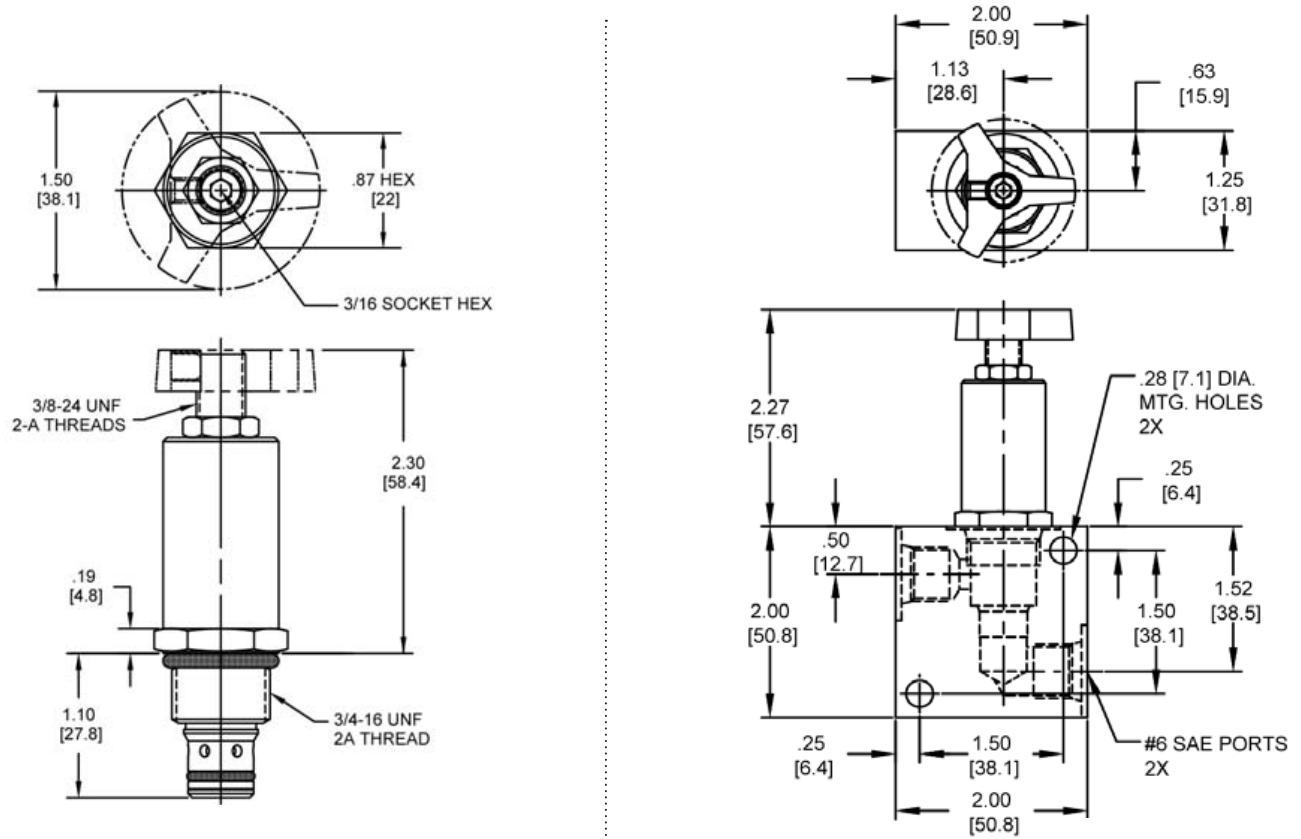
**PERFORMANCE**

Actual Test Data (Cartridge Only)


**VALVE SPECIFICATIONS**

|                               |                                 |
|-------------------------------|---------------------------------|
| Nominal Flow                  | 6 GPM (23 LPM)                  |
| Rated Operating Pressure      | 3500 PSI (241 bar)              |
| Viscosity Range               | 36 to 3000 SSU (3 to 647 cSt)   |
| Filtration                    | ISO 18/16/13                    |
| Media Operating Temp. Range   | -40° to 250°F (-40° to 120°C)   |
| Weight                        | .30 lbs (.14 kg)                |
| Operating Fluid Media         | General Purpose Hydraulic Fluid |
| Cartridge Torque Requirements | 25 ft-lbs (34 Nm)               |
| Cavity                        | POWER 2W                        |
| Cavity Form Tool (Finishing)  | 40500005                        |
| Seal Kit                      | 21191100                        |

**DIMENSIONS**



Body Weight: .39 lbs (.18 kg)

**ORDERING INFORMATION**

|  |                                     |   |
|--|-------------------------------------|---|
| <p><b>PB-RVA</b> -</p> <p><b>OPTIONS</b></p> <p>Buna Standard <b>00</b></p> <p>Viton Standard <b>V0</b></p> <p>Buna, Knob <b>0K</b></p> <p>Viton, Knob <b>VK</b></p> | <p>-</p> <p>-</p> <p>-</p> <p>-</p> | <p><b>BODIES</b></p> <p>Blank Without Body</p> <p><b>N</b> 1/4" NPTF Ports</p> <p><b>S</b> #6 SAE Ports</p> |
| <p><b>PRESSURE RANGE/SETTING</b></p> <p><b>0800</b> 100 - 800 PSI</p> <p><b>2000</b> 800 - 2000 PSI</p> <p><b>3500</b> 2000 - 3500 PSI</p>                           |                                     |   |

**WARNING:** the specifications/application data shown in our catalogs and data sheets are intended only as a general guide for the product described (herein). Any specific application should not be undertaken without independent study, evaluation, and testing for suitability.