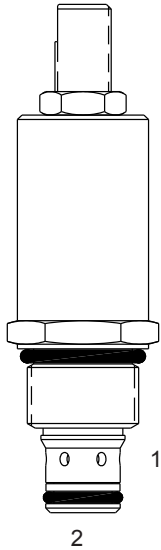


**PB-RWA DIRECT ACTING RELIEF VALVE**



**DESCRIPTION**

8 size, 3/4-16 thread, "Power" series, direct acting relief valve.

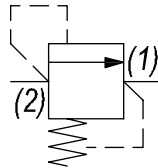
**OPERATION**

The PB-RWA blocks flow from (2) to (1) until sufficient pressure is present at (2) to force the poppet to open and allow metered flow from (2) to (1). The cartridge offers smooth transition in response to load changes in common hydraulic circuits.

**FEATURES**

- Hardened parts for long life.
- Industry common cavity.

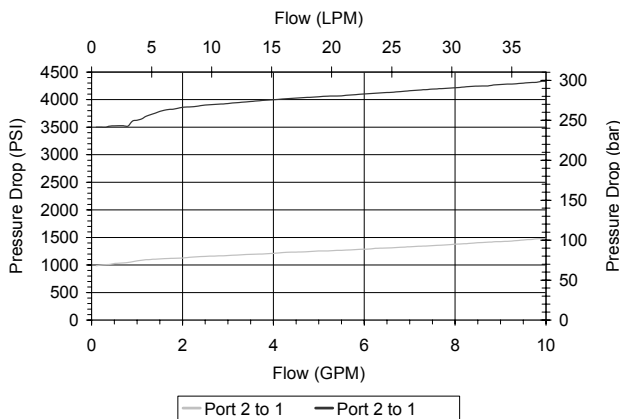
**HYDRAULIC SYMBOL**



Pressure at port (1) must not exceed 2500 PSI.

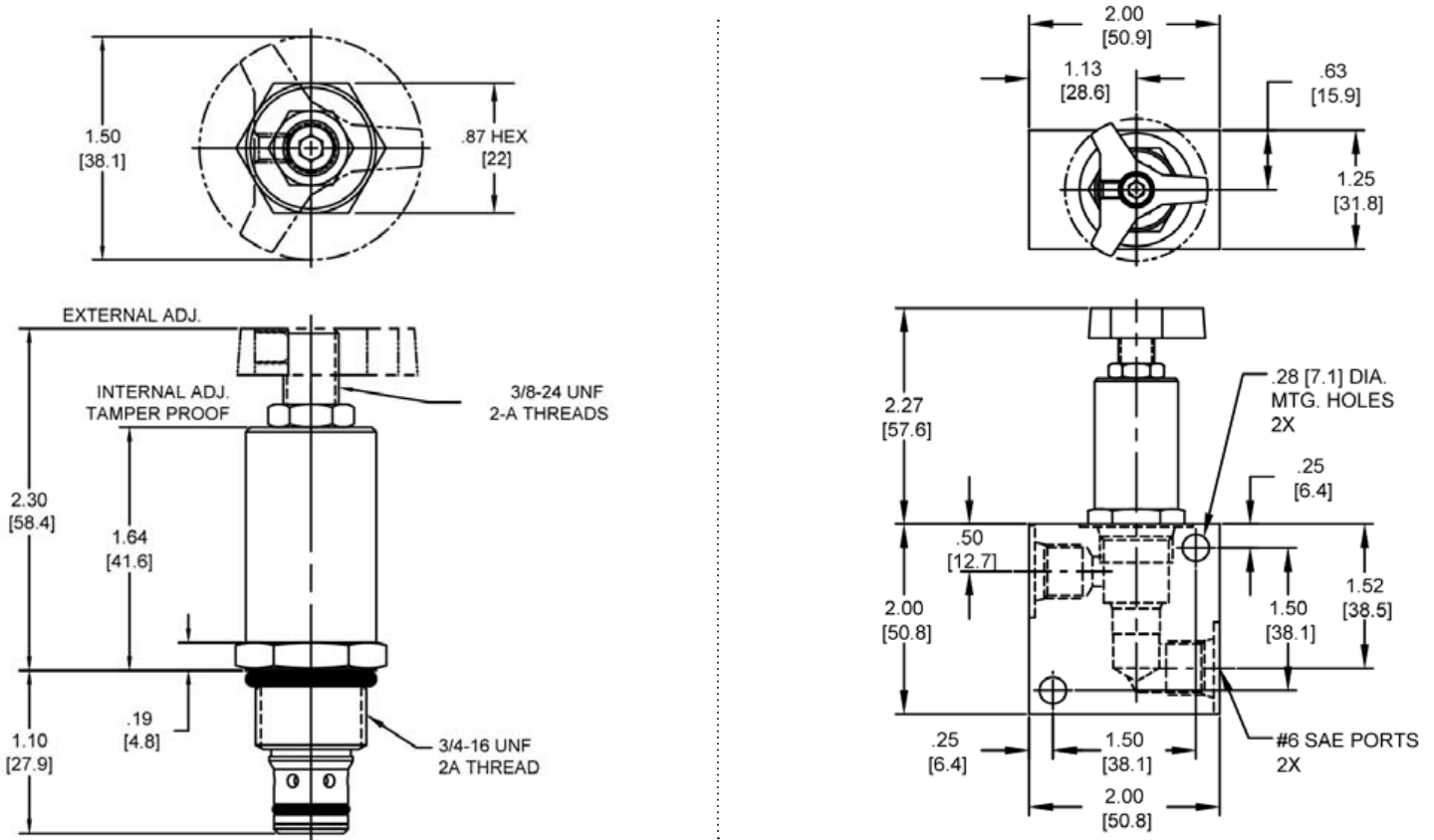
**PERFORMANCE**

Actual Test Data (Cartridge Only)



**VALVE SPECIFICATIONS**

Nominal Flow	6 GPM (23 LPM)
Rated Operating Pressure	3500 PSI (241 bar)
Viscosity Range	36 to 3000 SSU (3 to 647 cSt)
Filtration	ISO 18/16/13
Media Operating Temp. Range	-40° to 250°F (-40° to 120°C)
Weight	.31 lbs (.14 kg)
Operating Fluid Media	General Purpose Hydraulic Fluid
Cartridge Torque Requirements	25 ft-lbs (34 Nm)
Cavity	POWER 2W
Cavity Form Tool (Finishing)	40500005
Seal Kit	21191100

**DIMENSIONS**


Body Weight: .39 lbs (.18 kg)

**ORDERING INFORMATION**

PB-RWA - - - -

**OPTIONS**

- External Adj. W/Locknut Buna **00**
- External Adj. W/Locknut Viton **V0**
- Buna, Knob **0K**
- Viton, Knob **VK**
- Internal Adjust Buna **0I**
- Internal Adjust Viton **VI**
- Tamper Proof Buna **0T**
- Tamper Proof Viton **VT**

**BODIES**

- Blank Without Body
- N** 1/4" NPTF Ports
- S** #6 SAE Ports

**PRESSURE RANGE/SETTING**
**Ext./Int. Adjustment**

- 1000** 100 - 1000 PSI
- 3500** 500 - 3500 PSI

**Tamper Proof**

Fill in 4 Digit Pressure Setting  
Example: 0500 - 500 PSI

**WARNING:** the specifications/application data shown in our catalogs and data sheets are intended only as a general guide for the product described (herein). Any specific application should not be undertaken without independent study, evaluation, and testing for suitability.