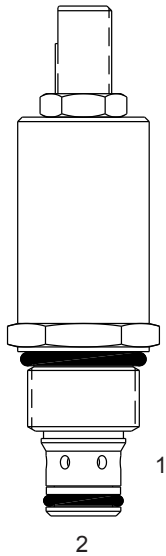


PB-RWD DIFFERENTIAL AREA RELIEF VALVE

DESCRIPTION

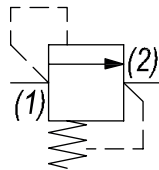
8 size, 3/4-16 thread, "Power" series, differential area relief valve.

OPERATION

The PB-RWD blocks flow from (1) to (2) until sufficient pressure is present at (1) to force the poppet to open and allow metered flow from (1) to (2). The cartridge offers smooth transition in response to load changes in common hydraulic circuits.

FEATURES

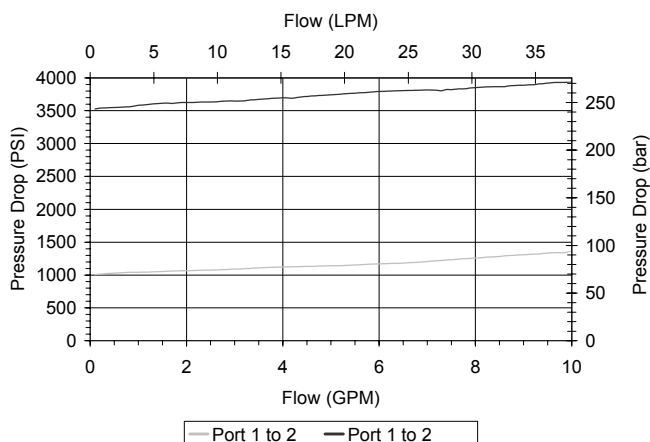
- Hardened parts for long life.
- Industry common cavity.

HYDRAULIC SYMBOL


Pressure at port (2) must not exceed 2500 PSI.

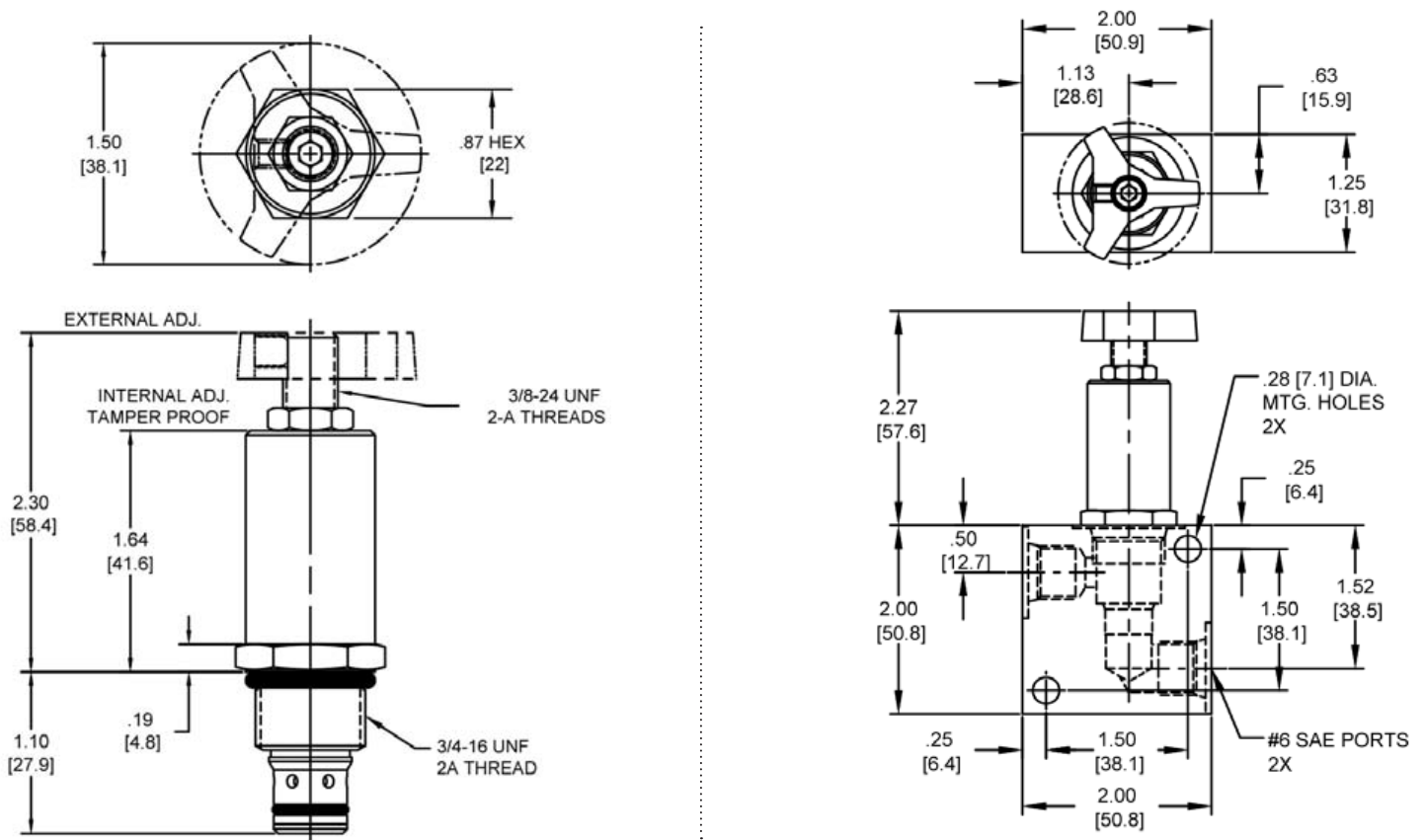
PERFORMANCE

Actual Test Data (Cartridge Only)


VALVE SPECIFICATIONS

Nominal Flow	8 GPM (30 LPM)
Rated Operating Pressure	3500 PSI (241 bar)
Viscosity Range	36 to 3000 SSU (3 to 647 cSt)
Filtration	ISO 18/16/13
Media Operating Temp. Range	-40° to 250°F (-40° to 120°C)
Weight	.32 lbs (.15 kg)
Operating Fluid Media	General Purpose Hydraulic Fluid
Cartridge Torque Requirements	25 ft-lbs (34 Nm)
Cavity	POWER 2W
Cavity Form Tool (Finishing)	40500005
Seal Kit	21191100

DIMENSIONS



Body Weight: .39 lbs (.18 kg)

ORDERING INFORMATION

PB-RWD - - - -

OPTIONS

- External Adj. W/Locknut Buna **00**
- External Adj. W/Locknut Viton **V0**
- Buna, Knob **0K**
- Viton, Knob **VK**
- Internal Adjust Buna **0I**
- Internal Adjust Viton **VI**
- Tamper Proof Buna **0T**
- Tamper Proof Viton **VT**

BODIES

- Blank Without Body
- N** 1/4" NPTF Ports
- S** #6 SAE Ports

PRESSURE RANGE/SETTING

Ext./Int. Adjustable

- 1000** 100 - 1000 PSI
- 3500** 500 - 3500 PSI

Tamper Proof

Fill in 4 Digit Pressure Setting
Example: 0500 - 500 PSI

WARNING: the specifications/application data shown in our catalogs and data sheets are intended only as a general guide for the product described (herein). Any specific application should not be undertaken without independent study, evaluation, and testing for suitability.