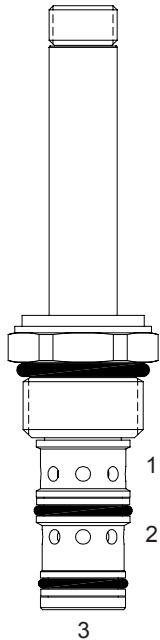


EF-PRP 3 WAY 2 POSITION, PILOT OPERATED, PRESSURE REDUCING, RELIEVING VALVE

DESCRIPTION

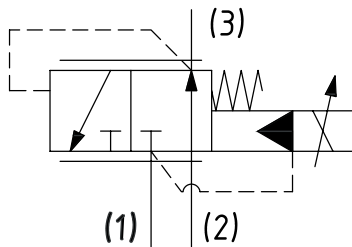
10 size, 7/8-14 thread, "Delta" series, pilot operated, 3 way 2 position, proportional pressure reducing/relieving valve.

OPERATION

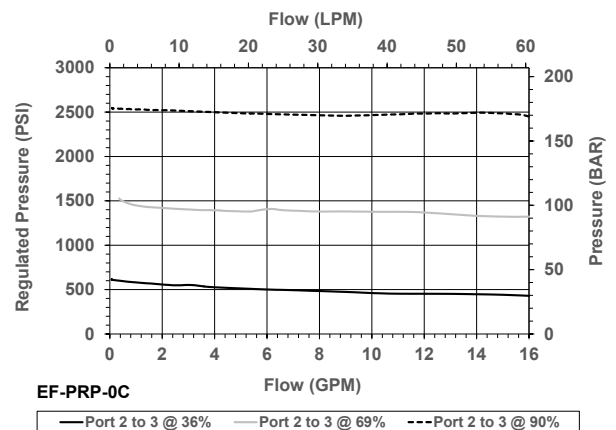
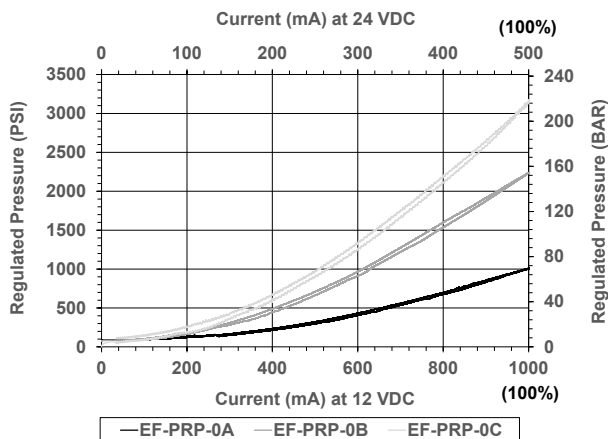
When de-energized and with a passive load at port (3), the EF-PRP passes sufficient flow from port (2) to port (3) to regulate a minimum pressure of approximately 3-10 bar (45-145 PSI). With a supplied flow from an external source into port (3) the valve will regulate the minimum pressure as shown on curve below by bypassing flow to port (1). When energized, the actuator creates a force proportional to the applied current to determine the pressure that will be regulated at port (3). Oil is supplied from port (2) to port (3) until desired pressure is reached. If pressure at port (3) exceeds desired level, excess oil is vented to port (1) until desired level is reached. Pressures at port (1) are additive to regulated pressure at port (3).

FEATURES

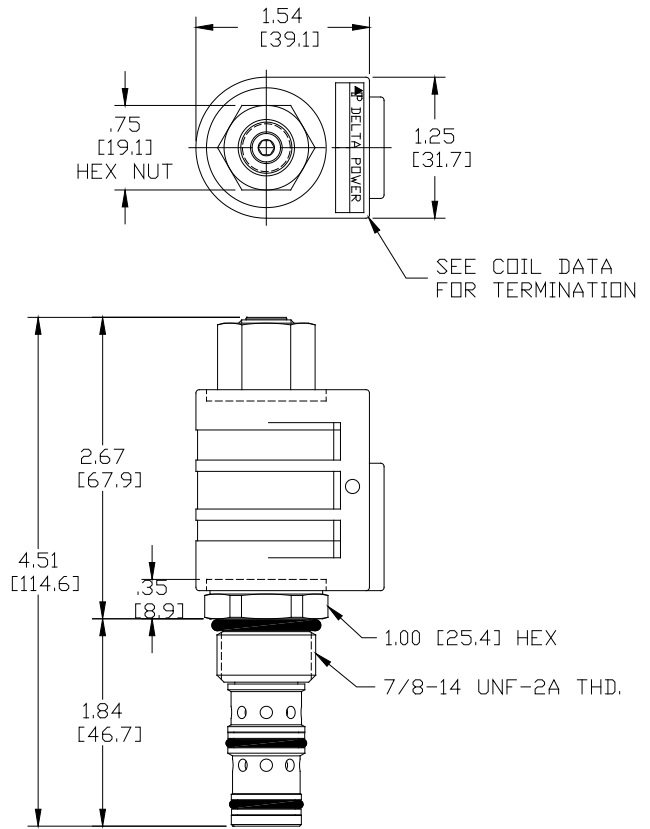
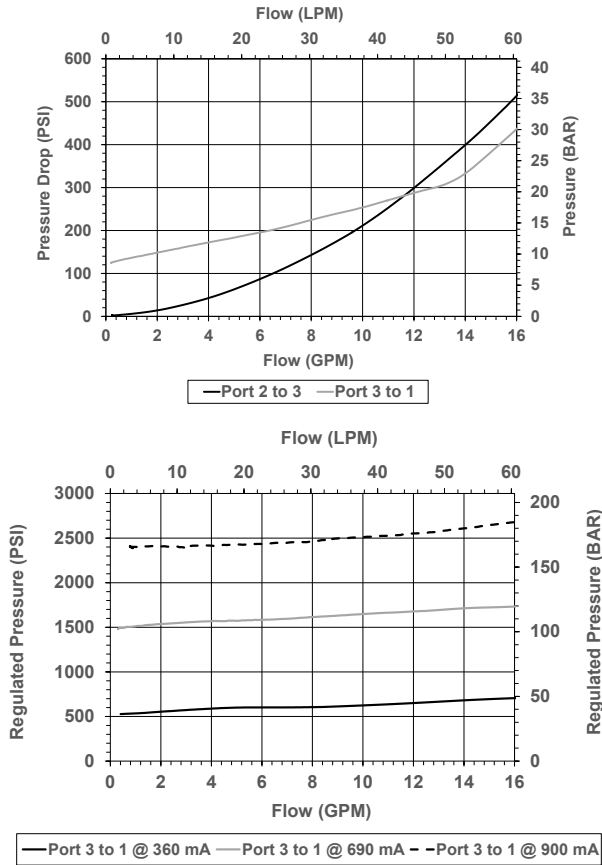
- Efficient wet-armature construction.
- Cartridges are voltage interchangeable.
- Industry common cavity.
- Unitized, molded coil design.
- Continuous duty rated solenoid.
- Optional coil voltages and terminations.
- Optional "I" Coil: Weatherproof, Thermal Shock, Immersion Safe

HYDRAULIC SYMBOL

VALVE SPECIFICATIONS

Nominal Flow	12 GPM (45 LPM)
Rated Operating Pressure	3000 PSI (207 bar)
Viscosity Range	36 to 3000 SSU (3 to 647 cSt)
Filtration	ISO 18/16/13
Media Operating Temp. Range	-40°C to 250°F (-40°C to 120°C)
Weight	.59 lbs (.27 kg)
Operating Fluid Media	General Purpose Hydraulic Fluid
Cartridge Torque Requirements	30 ft-lbs (40.6 Nm)
Cavity	DELTA 3W
Cavity Form Tool (Finishing)	40500001
Seal Kit	21191206

PERFORMANCE


DIMENSIONS



ORDERING INFORMATION

Approximate Coil Weight: .30 lbs (.14 kg)

EF-PRP - - - -

OPTIONS

- Buna, 150-1015 PSI range **0A**
- Viton, 150-1015 PSI range **VA**
- Buna, 150-2175 PSI range **0B**
- Viton, 150-2175 PSI range **VB**
- Buna, 150-3000 PSI range **0C**
- Viton, 150-3000 PSI range **VC**

BODIES

- Blank** Without Body
- N** 1/4" NPTF Ports
- S** #6 SAE Ports

VOLTAGE

- 06** 6 VDC
- 12** 12 VDC
- 24** 24 VDC
- 36** 36 VDC
- 48** 48 VDC
- 25** 24 VAC
- 11** 120 VAC
- 22** 220 VAC
- 44** 440 VAC

"P" COIL TERMINATION

- DL** Double Lead
- DT** Deutsch on Leads DT04-2P
- ML** Metri-Pack on Leads
- PL** Packard on Leads
- WL** Weatherpack on Leads

- SS** Single Spade
- DS** Double Spade
- HC** DIN 43650 (Hirschmann) - (AC & DC)
- CL** Conduit Lead - (AC Only)
- DI** Deutsch - Integral DT04-2P

WARNING: the specifications/application data shown in our catalogs and data sheets are intended only as a general guide for the product described (herein). Any specific application should not be undertaken without independent study, evaluation, and testing for suitability.