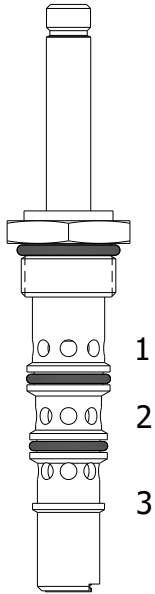


EN063-PRZ PROPORTIONAL PRESSURE REDUCING CONTROL VALVE

DESCRIPTION

12 size, 1 1/16-12 thread, "Twelve" series, solenoid operated, proportional pressure reducing control valve

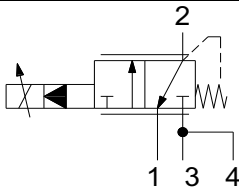
OPERATION

When de-energized the EN063-PRZ allows flow from (2) to (1) and blocks flow at (3).

When energized, the cartridge's spool lifts to open (3) to (2) and blocks flow at (1). Outlet pressure is proportional to current applied to the coil.

FEATURES

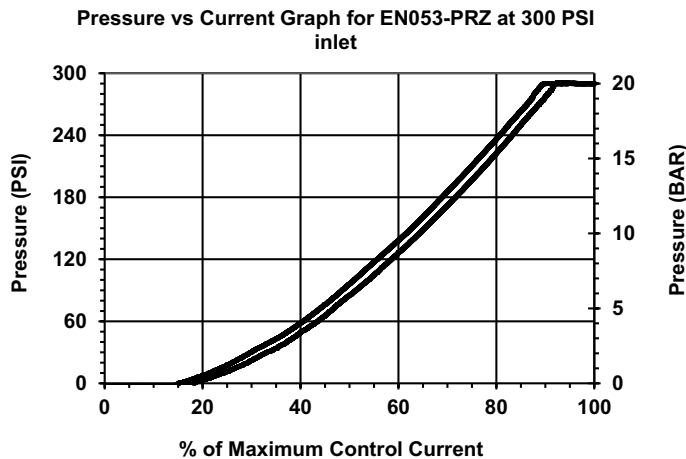
- Efficient wet-armature construction.
- Cartridges are voltage interchangeable.
- Unitized, molded coil design.
- Continuous duty rated solenoid.
- Optional coil voltages and terminations.

HYDRAULIC SYMBOL


Note: Low Wattage coils available. Consult Factory

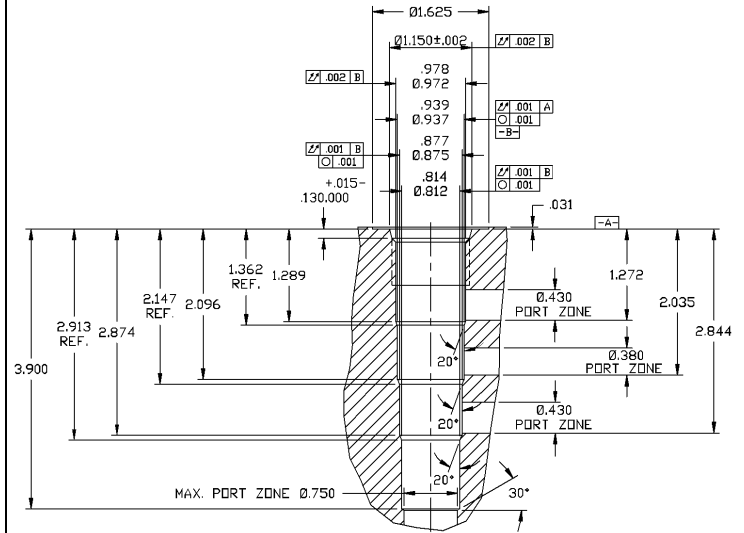
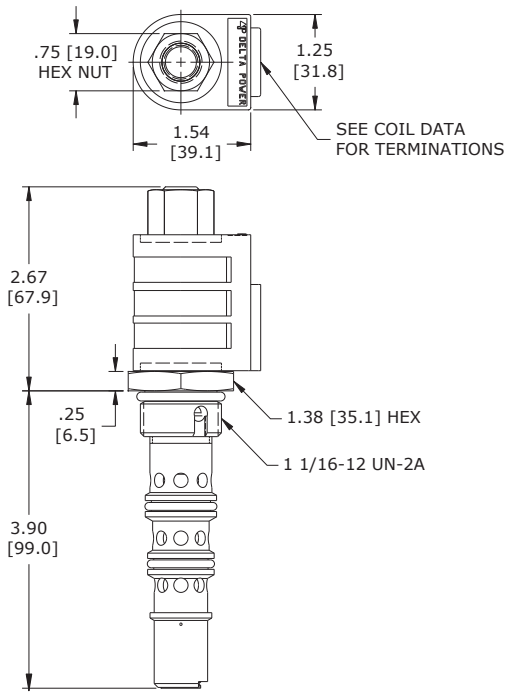
PERFORMANCE

Actual Test Data (Cartridge Only)


VALVE SPECIFICATIONS

Nominal Flow	30 GPM (114 LPM)
Max System Pressure	450 PSI (31 bar)
Viscosity Range	36 to 3000 SSU (3 to 647 cSt)
Filtration	ISO 18/16/13
Media Operating Temperature Range	-40° to 250° F (-40° to 120° C)
Weight	0.67 lbs. (0.30 kg)
Operating Fluid Media	General Purpose Hydraulic Fluid
Cartridge Torque Requirements	70 ft-lbs (94.9 Nm)
Coil Nut Torque Requirements	4 – 6 ft-lbs (5.4 – 8.1 Nm)
Cavity	40200063
Seal Kit	

DIMENSIONS



ORDERING INFORMATION

EN063-PRZ

OPTIONS
 Buna Standard **00**
 Viton Standard **V0**

BODIES
 Blank *
 Without Body
 Consult Factory

VOLTAGE
12 12 VDC (.825 Amps Max.)
24 24 VDC (.412 Amps Max.)

"P" COIL TERMINATION
 (All DC Except as Noted)

DL Double Lead
DT Deutsch on Leads DT04-2P
ML Metri-Pack on Leads
PL Packard on Leads
WL Weatherpack on Leads

SS Single Spade
DS Double Spade
HC DIN 43650 (Hirschman) – (DC)
DI Deutsch – Integral DT04-2P

Approximate Coil Weight: .42 lbs. (.19 kg.)

WARNING: the specifications/application data shown in our catalogs and data sheets are intended only as a general guide for the product described (herein). Any specific application should not be undertaken without independent study, evaluation, and testing for suitability.