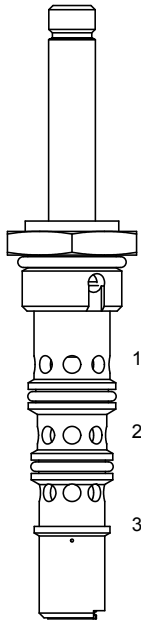


**ES-PRZ PROPORTIONAL PRESSURE REDUCING CONTROL VALVE**

**DESCRIPTION**

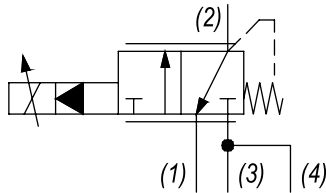
12 size, 1 1/16-12 thread, "TWELVE" series, solenoid operated, proportional pressure reducing control valve.

**OPERATION**

When de-energized the ES-PRZ allows flow from (2) to (1) and blocks flow at (3). When energized, the cartridge's spool lifts to open (3) to (2) and blocks flow at (1). Outlet pressure is proportional to current applied to the coil.

**FEATURES**

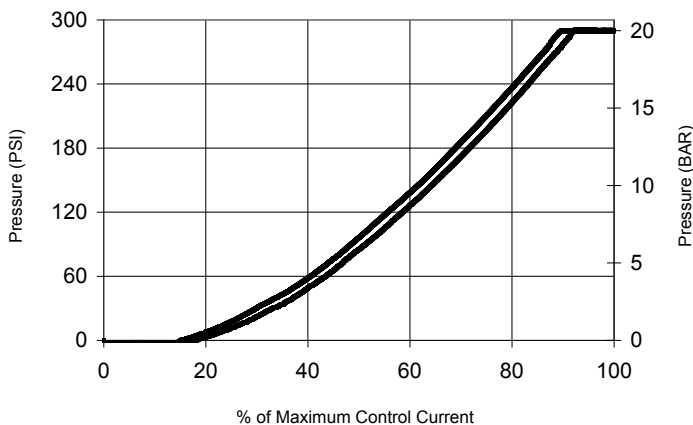
- Efficient wet-armature construction.
- Cartridges are voltage interchangeable.
- Unitized, molded coil design.
- Continuous duty rated solenoid.
- Optional coil voltages and terminations.

**HYDRAULIC SYMBOL**


*Low Wattage coils available. Consult Factory.*

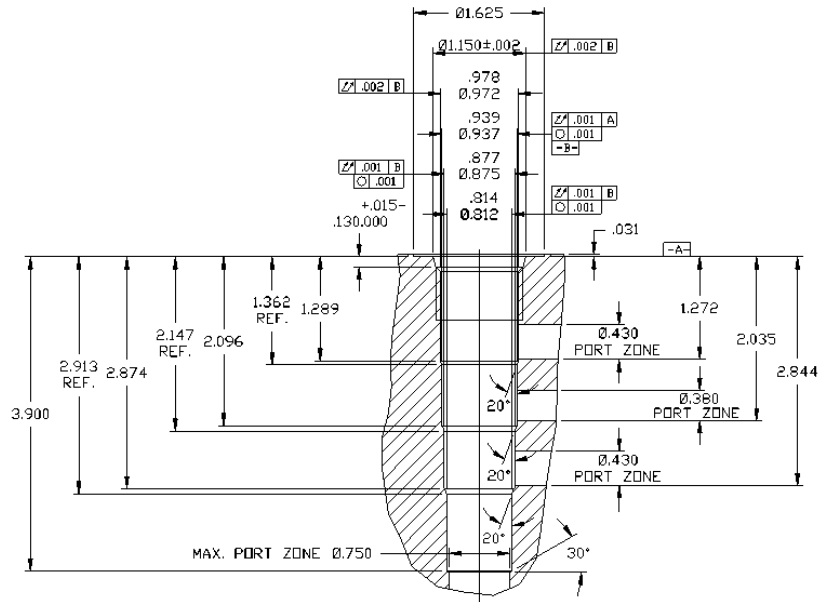
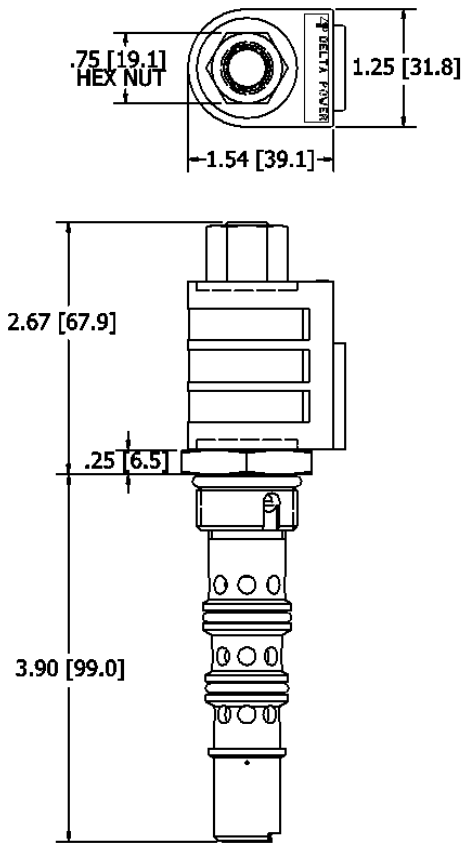
**PERFORMANCE**

**Pressure vs. Current Graph for ESPRZ at 300 PSI inlet**


**VALVE SPECIFICATIONS**

|                               |                                 |
|-------------------------------|---------------------------------|
| Nominal Flow                  | 30 GPM (114 LPM)                |
| Max System Pressure           | 450 PSI (31 bar)                |
| Viscosity Range               | 36 to 3000 SSU (3 to 647 cSt)   |
| Filtration                    | ISO 18/16/13                    |
| Media Operating Temp. Range   | -40° to 250°F (-40° to 120°C)   |
| Weight                        | .67 lbs (.3 kg)                 |
| Operating Fluid Media         | General Purpose Hydraulic Fluid |
| Cartridge Torque Requirements | 70 ft-lbs (94.9 Nm)             |
| Coil Nut Torque Requirements  | 4-6 ft-lbs (5.4-8.1 Nm)         |
| Cavity                        | 40200043                        |

**DIMENSIONS**



**ORDERING INFORMATION**

Approximate Coil Weight: .42 lbs (.19 kg)

**ES-PRZ - - - -**

**OPTIONS**  
 Buna Standard **00**  
 Viton Standard **V0**

**BODIES**  
 Blank Without Body  
 - Consult Factory

**VOLTAGE**  
**12** 12 VDC (.825 Amps Max.)  
**24** 24 VDC (.412 Amps Max.)

**"P" COIL TERMINATION**  
 (All DC Except as Noted)

**DL** Double Lead  
**DT** Deutsch on Leads DT04-2P  
**ML** Metri-Pack on Leads  
**PL** Packard on Leads  
**WL** Weatherpack on Leads

**SS** Single Spade  
**DS** Double Spade  
**HC** DIN 43650 (Hirschmann) – (DC)  
**DI** Deutsch – Integral DT04-2P

**WARNING:** the specifications/application data shown in our catalogs and data sheets are intended only as a general guide for the product described (herein). Any specific application should not be undertaken without independent study, evaluation, and testing for suitability.