

ETT-S2C 2 WAY, NORMALLY OPEN, PROPORTIONAL FLOW CONTROL VALVE
DESCRIPTION

12 size, 1 1/16-12 thread, Twelve series, solenoid operated, 2 way normally open, poppet style, proportional flow control valve.

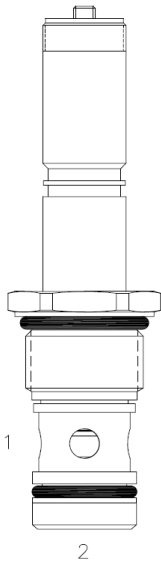
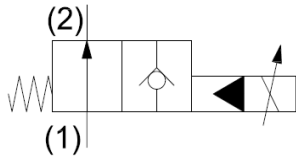
OPERATION

When de-energized, the valve allows flow from (1) to (2). Flow is proportional to current applied to the coil. A compensator must be used to create a pressure compensated flow control function.

When fully energized the ETT-S2C blocks flow from port (1) to (2) and allows reverse flow from (2) to (1).

FEATURES

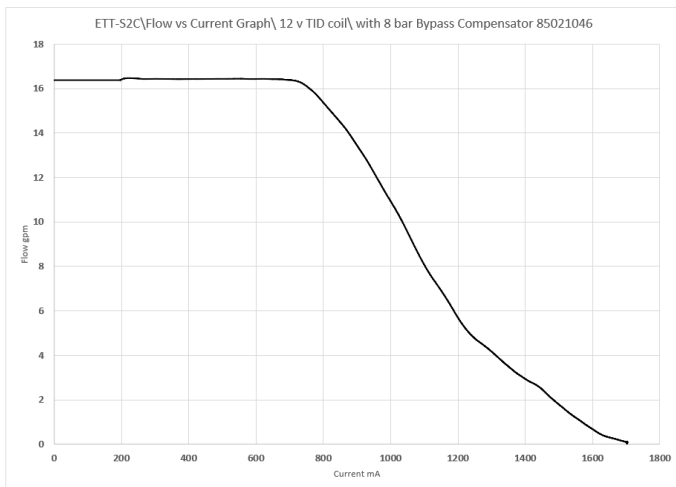
- Efficient wet-armature construction.
- Cartridges are voltage interchangeable.
- Industry common cavity.
- Unitized, molded coil design.
- Continuous duty rated solenoid.
- Optional coil voltages and terminations.


HYDRAULIC SYMBOL


Requires use of a compensator to give pressure compensated flow control function.

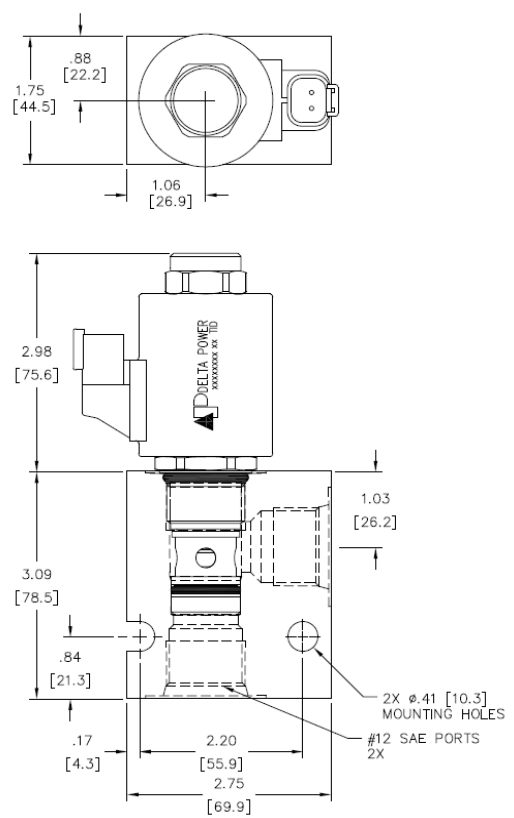
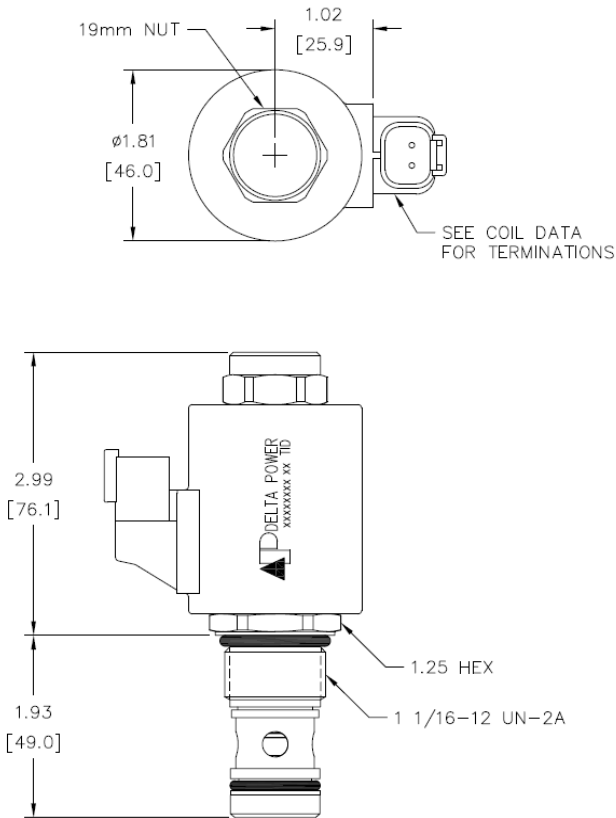
100-150 Hz PWM or 100-200 Hz Dither Frequency Recommended

Consult Factory for other coil options. (Note: "T" coil alters valve performance)

PERFORMANCE

VALVE SPECIFICATIONS

Flow Range	See curves
Max Operating Pressure	3500 PSI (241 bar)
Curve PSID	120 PSI (8 bar)
Max Differential Pressure	350 PSI (24 bar)
Hysteresis	±3%
Threshold	40% to 60% of Full Current
Viscosity Range	36 to 3000 SSU (3 to 647 cSt)
Filtration	ISO 18/16/13
Media Operating Temperature Range	-22° to 212° F (-30° to 100° C)
Weight	.72 lbs. (0.32 kg)
Operating Fluid Media	General Purpose Hydraulic Fluid
Cartridge Torque Requirements	70 ft-lbs (95 Nm)
Coil Nut Torque Requirements	4-6 ft-lbs (5-8 Nm)
Cavity	TWELVE SERIES 2W
Cavity Form Tool (Finishing)	40500032
Seal Kit	2119XXXX

DIMENSIONS



ORDERING INFORMATION

ETT-S2C

OPTIONS
 Buna Standard **00**
 Viton Standard **V0**

BODIES
 Without Body
 3/8 NPTF Ports
 #8 SAE Ports

VOLTAGE
 12
 24
 12 VDC
 24 VDC

IMMERSION PROOF "I" COIL

IA "I" Coil AMP Superseal - Integral
ID "I" Coil Deutsch - Integral

Approximate Coil Weight: .80 lbs. (0.36 kg.)

WARNING: the specifications/application data shown in our catalogs and data sheets are intended only as a general guide for the product described (herein). Any specific application should not be undertaken without independent study, evaluation, and testing for suitability.