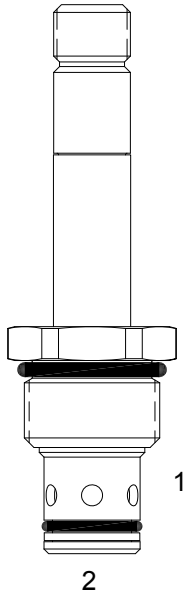


DE-S2A PILOT OPERATED POPPET, 2 WAY NORMALLY CLOSED

DESCRIPTION

10 size, 7/8-14 thread, "Delta" series, solenoid operated, 2 way normally closed, pilot operated poppet valve with reverse flow de-energized.

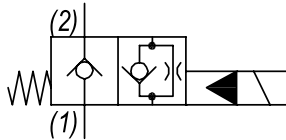
OPERATION

When de-energized the DE-S2A blocks flow from (1) to (2) and allows reverse flow from (2) to (1). When energized the valve allows flow from (1) to (2) and restricts flow from (2) to (1).

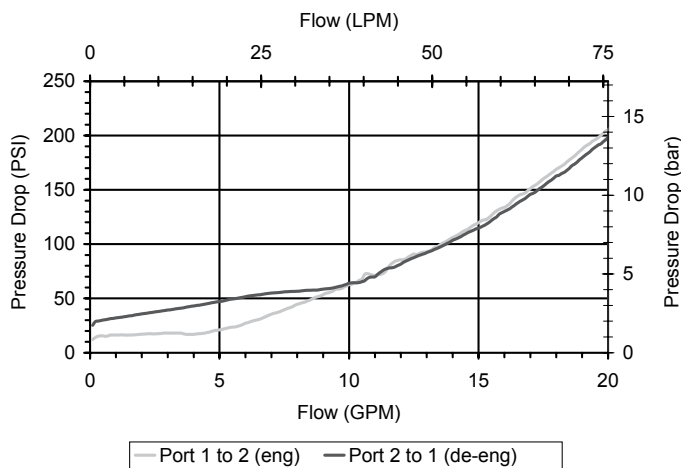
OPERATION OF MANUAL OVERRIDE OPTION: to override, turn the manual override screw counterclockwise. To release turn the manual override screw clockwise.

FEATURES

- Hardened parts for long life.
- Efficient wet-armature construction.
- Cartridges are voltage interchangeable.
- Manual override option.
- Industry common cavity.
- Unitized, molded coil design.
- Continuous duty rated solenoid.
- Optional coil voltages and terminations.
- Optional "I" Coil: Weatherproof, Thermal Shock, Immersion Safe.

HYDRAULIC SYMBOL

PERFORMANCE

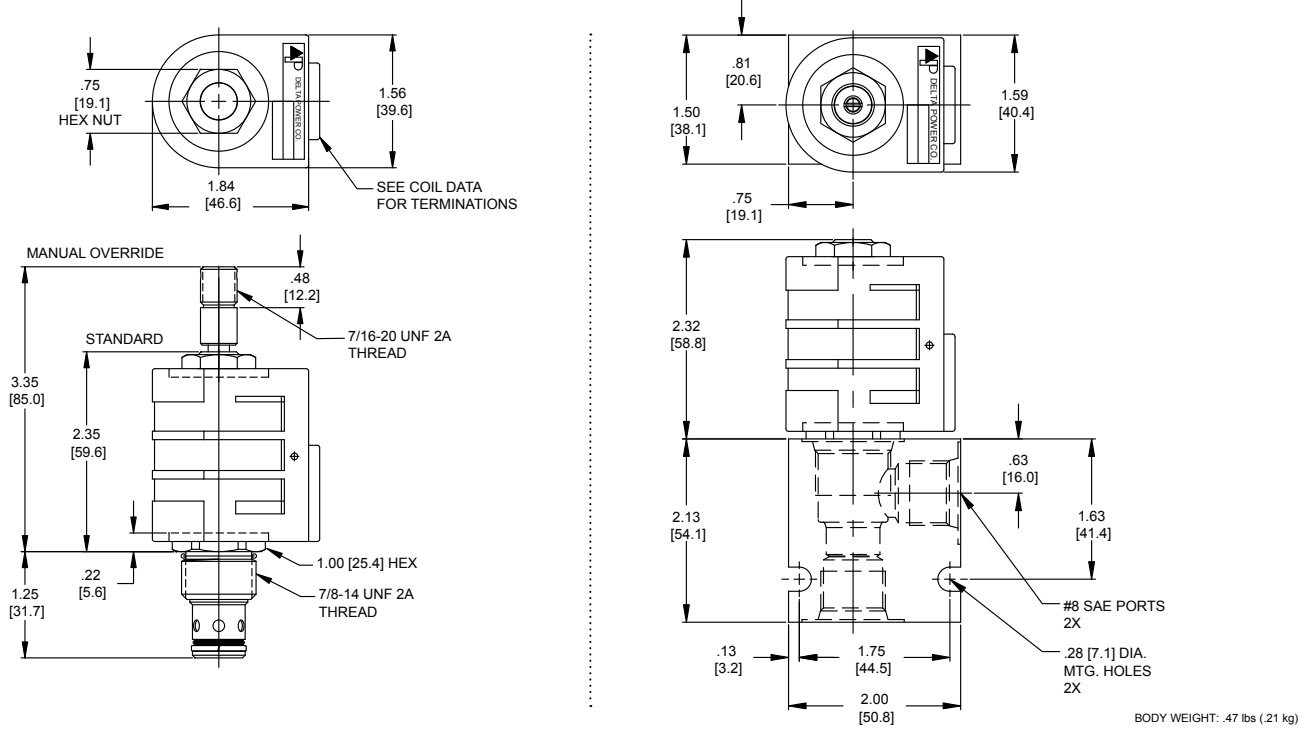
Actual Test Data (Cartridge Only)


VALVE SPECIFICATIONS

Nominal Flow	15 GPM (57 LPM)
Rated Operating Pressure	3500 PSI (241 bar)
Typical Internal Leakage (150 SSU)	0-5 drops/min
Viscosity Range	36 to 3000 SSU (3 to 647 cSt)
Filtration	ISO 18/16/13
Media Operating Temp. Range	-40° to 250°F (-40° to 120°C)
Weight	.27 lbs (.12 kg)
Operating Fluid Media	General Purpose Hydraulic Fluid
Cartridge Torque Requirements	30 ft-lbs (40.6 Nm)
Coil Nut Torque Requirements	4-6 ft-lbs (5.4-8.1 Nm)
Cavity	DELTA 2W
Cavity Tools Kit (form tool, reamer, tap)	40500000
Seal Kit	21191200

WARNING: the specifications/application data shown in our catalogs and data sheets are intended only as a general guide for the product described (herein). Any specific application should not be undertaken without independent study, evaluation, and testing for suitability.

DIMENSIONS



ORDERING INFORMATION

Approximate Coil Weight: .74 lbs (.33 kg)

DE-S2A

- OPTIONS**
- Buna Standard **00**
 - Viton Standard **V0**
 - Buna, Override, Detent **0M**
 - Viton, Override, Detent **VM**
 - Buna, Screen **A0**
 - Viton, Screen **W0**
 - Buna, Override, Non-Detent **B1**
 - Viton, Override, Non-Detent **V1**
 - Buna, Screen, Override, Non-Detent **B3**
 - Viton, Screen, Override, Non-Detent **V3**
 - Buna, Screen, Override, Detent **B4**
 - Viton, Screen, Override, Detent **V4**

Note: use screen only if flow direction is from (1) to (2)

"D" COIL TERMINATION
(All DC Except as Noted)

- BODIES**
- Blank Without Body
 - N** 3/8 NPTF Ports
 - S** #8 SAE Ports

- VOLTAGE**
- 06** 6 VDC
 - 12** 12 VDC
 - 24** 24 VDC
 - 36** 36 VDC
 - 48** 48 VDC
 - 25** 24 VAC
 - 11** 115 VAC
 - 22** 220 VAC
 - 44** 440 VAC

- DL** Double Lead
- DT** Deutsch on Leads DT04-2P
- ML** Metri-Pack on Leads
- PL** Packard on Leads
- WL** Weatherpack on Leads

- SS** Single Spade
- DS** Double Spade
- HC** DIN 43650 (Hirschmann) - (AC&DC)
- CL** Conduit Lead - (AC Only)
- DI** Deutsch - Integral DT04-2P

- IMMERSION PROOF "D" TYPE**
- IA** "I" Coil AMP Superseal - Integral
 - ID** "I" Coil Deutsch - Integral DT04-2P
 - IJ** "I" Coil AMP Jr. Timer - Integral
 - IM** "I" Coil Metri-Pack - Integral

W/44/12-2022

WARNING: the specifications/application data shown in our catalogs and data sheets are intended only as a general guide for the product described (herein). Any specific application should not be undertaken without independent study, evaluation, and testing for suitability.