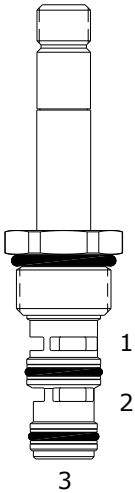


**DF-S3C DIRECT ACTING SPOOL, 3 WAY 2 POSITION**

**DESCRIPTION**

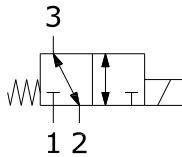
10 size, 7/8-14 thread, "Delta" series, solenoid operated, 3 way 2 position, spool valve.

**OPERATION**

When de-energized the DF-S3C allows flow from (3) to (2) or (2) to (3) and blocks flow at port (1). When energized the valve allows flow from (1) to (3) or (3) to (2) and blocks flow at port (2).

**FEATURES**

- Hardened parts for long life.
- Efficient wet-armature construction.
- Cartridges are voltage interchangeable.
- Industry common cavity.
- Unitized, molded coil design.
- Continuous duty rated solenoid.
- Optional coil voltages and terminations.

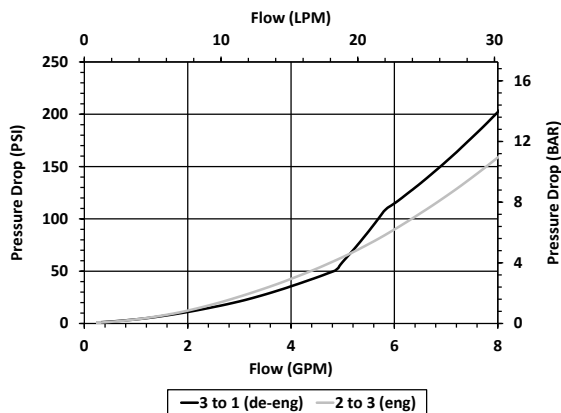
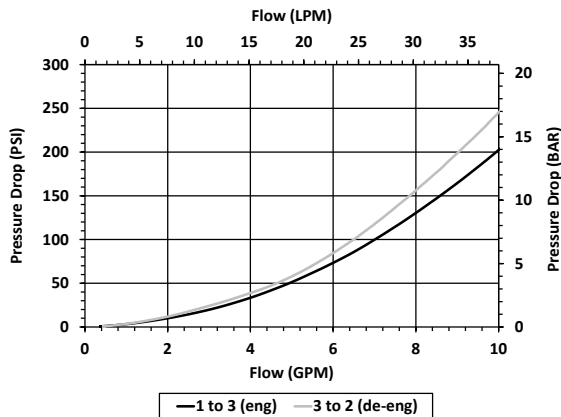
**HYDRAULIC SYMBOL**


Common lift/lower valve where load holding is not required.

Installation of this valve does not allow for the use of orifice disks beneath the valve in a standard cavity.

**PERFORMANCE**

Actual Test Data (Cartridge Only)

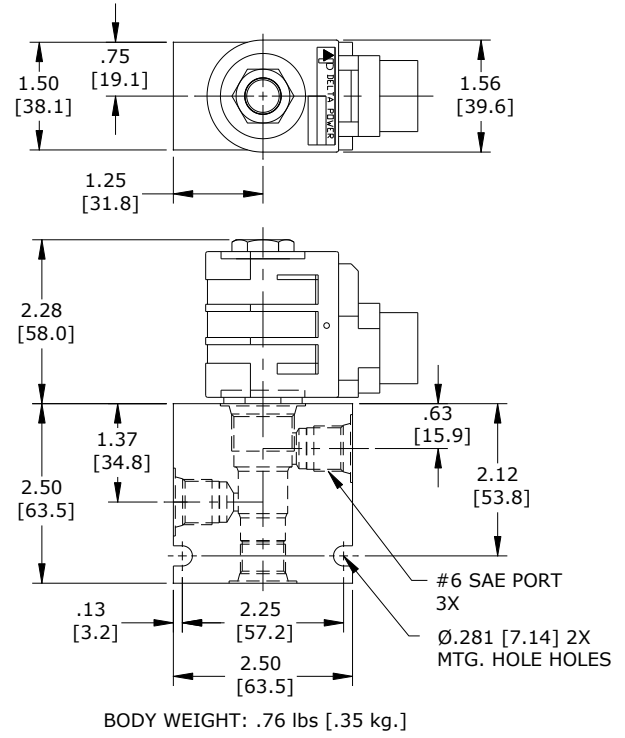
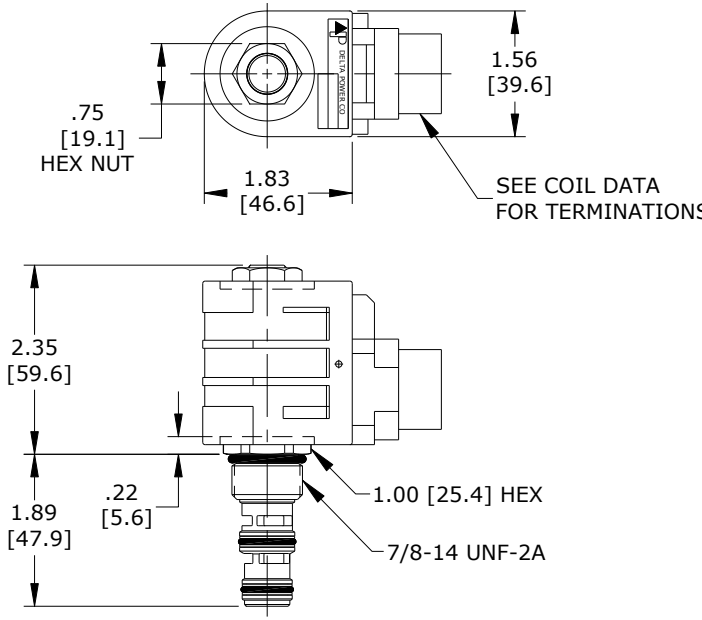

**VALVE SPECIFICATIONS**

Maximum Flow	6 GPM (23 LPM) or See Curves
Rated Operating Pressure	3000 PSI (207 bar)
Typical Internal Leakage (150 SSU)	5 cu/in per min (82 ml/min)
Viscosity Range	36 to 3000 SSU (3 to 647 cSt)
Filtration	ISO 18/16/13
Media Operating Temperature Range	-40° to 250° F (-40° to 120° C)
Weight	0.28 lbs. (0.12 kg)
Operating Fluid Media	General Purpose Hydraulic Fluid
Cartridge Torque Requirements	30 ft-lbs (40.6 Nm)
Coil Nut Torque Requirements	4-6 ft-lbs (5.4-8.1 Nm)
Cavity	<a href="#">DELTA 3W</a>
Cavity Form Tool (Finishing)	40500001
Seal Kit	21191210

W51 / 2-2023

**WARNING:** the specifications/application data shown in our catalogs and data sheets are intended only as a general guide for the product described (herein). Any specific application should not be undertaken without independent study, evaluation, and testing for suitability.

**DIMENSIONS**



**ORDERING INFORMATION**

**DF-S3C**

- OPTIONS**  
 Buna Standard **00**  
 Viton Standard **V0**

- BODIES**  
 Without Body  
**N** 1/4 NPTF Ports  
**S** #6 SAE Ports

- VOLTAGE**  
**06** 6 VDC  
**12** 12 VDC  
**24** 24 VDC  
**36** 36 VDC  
**48** 48 VDC  
**25** 24 VAC  
**11** 115 VAC  
**22** 220 VAC  
**44** 440 VAC

**“D” COIL TERMINATION**  
 (All DC Except as Noted)

- |                                    |  |
|------------------------------------|--|
| <b>DL</b> Double Lead              | <b>SS</b> Single Spade                     |
| <b>DT</b> Deutsch on Leads DT04-2P | <b>DS</b> Double Spade                     |
| <b>ML</b> Metri-Pack on Leads      | <b>HC</b> Din 43650 (Hirshman) - (AC & DC) |
| <b>PL</b> Packard on Leads         | <b>CL</b> Conduit Lead – (AC Only)         |
| <b>WL</b> Weatherpack on Leads     | <b>DI</b> Deutsch – Integral DT04-2P       |

Approximate Coil Weight: .74 lbs/.33 kg.

**WARNING:** the specifications/application data shown in our catalogs and data sheets are intended only as a general guide for the product described (herein). Any specific application should not be undertaken without independent study, evaluation, and testing for suitability.