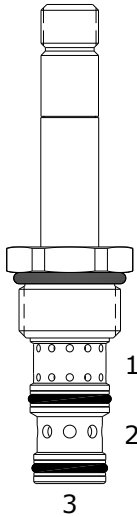


DF-S3H DIRECT ACTING SPOOL, 3 WAY 2 POSITION

DESCRIPTION

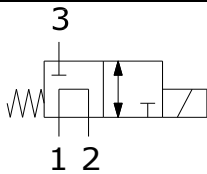
10 size, 7/8-14 thread, "Delta" series, solenoid operated, 3 way 2 position, spool valve.

OPERATION

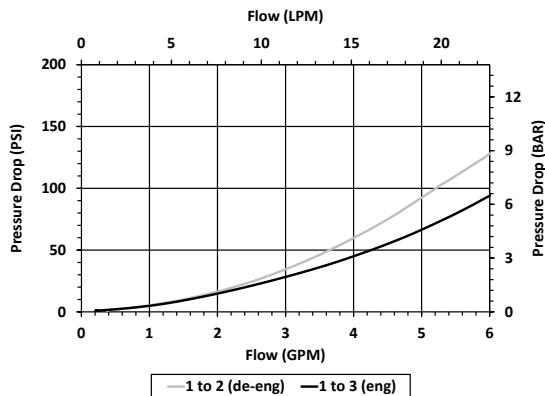
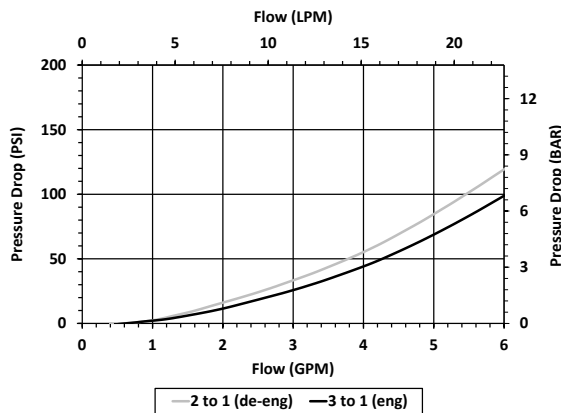
When de-energized, the DF-S3H allows flow from (2) to (1) or (1) to (2) and blocks flow at port (3).
When energized, the valve allows flow from (3) to (1) or (1) to (3) and blocks flow at port (2).

FEATURES

- Hardened parts for long life.
- Efficient wet-armature construction.
- Cartridges are voltage interchangeable.
- Industry common cavity.
- Unitized, molded coil design.
- Continuous duty rated solenoid.
- Optional coil voltages and terminations.

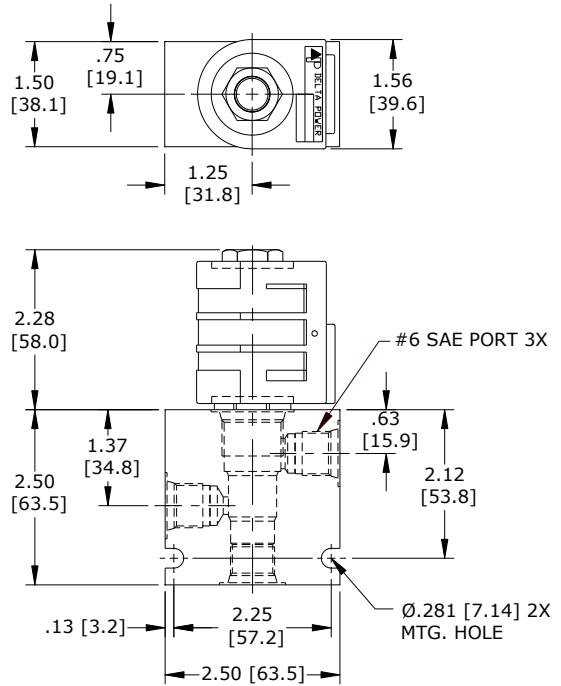
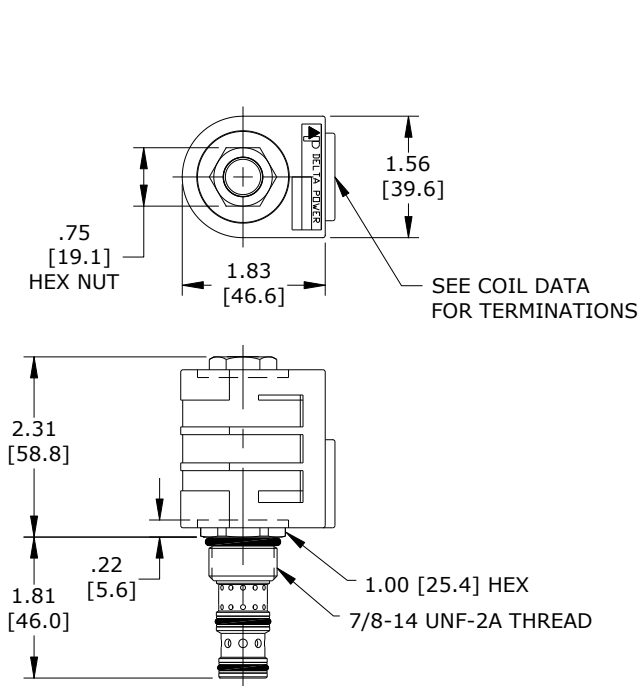
HYDRAULIC SYMBOL

PERFORMANCE

Actual Test Data (Cartridge Only)


VALVE SPECIFICATIONS

Maximum Flow	5 GPM (19 LPM) or See Curves
Rated Operating Pressure	3000 PSI (207 bar)
Typical Internal Leakage (150 SSU)	5 cu/in per min (82 ml/min)
Viscosity Range	36 to 3000 SSU (3 to 647 cSt)
Filtration	ISO 18/16/13
Media Operating Temperature Range	-40° to 250° F (-40° to 120° C)
Weight	0.28 lbs. (0.12 kg)
Operating Fluid Media	General Purpose Hydraulic Fluid
Cartridge Torque Requirements	30 ft-lbs (40.6 Nm)
Coil Nut Torque Requirements	4-6 ft-lbs (5.4-8.1 Nm)
Cavity	DELTA 3W
Cavity Form Tool (Finishing)	40500001
Seal Kit	21191210

DIMENSIONS



BODY WEIGHT: 0.76 Lbs/0.35 kg

ORDERING INFORMATION

DF-S3H

- OPTIONS**
 Buna Standard **00**
 Viton Standard **V0**

- BODIES**
 Blank
N 1/4 NPTF Ports
S #6 SAE Ports

- VOLTAGE**
06 6 VDC
12 12 VDC
24 24 VDC
36 36 VDC
48 48 VDC
25 24 VAC
11 115 VAC
22 220 VAC
44 440 VAC

“D” COIL TERMINATION
 (All DC Except as Noted)

- | | |
|------------------------------------|--------------------------------------------|
| DL Double Lead | SS Single Spade |
| DT Deutsch on Leads DT04-2P | DS Double Spade |
| ML Metri-Pack on Leads | HC Din 43650 (Hirshman) - (AC & DC) |
| PL Packard on Leads | CL Conduit Lead - (AC Only) |
| WL Weatherpack on Leads | DI Deutsch - Integral DT04-2P |

Approximate Coil Weight: 0.74 lbs/0.33 kg.

WARNING: the specifications/application data shown in our catalogs and data sheets are intended only as a general guide for the product described (herein). Any specific application should not be undertaken without independent study, evaluation, and testing for suitability.