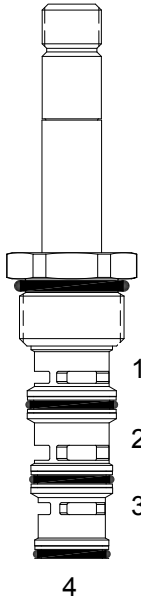


DG-S4C DIRECT ACTING SPOOL, 4 WAY 2 POSITION, TANDEM CENTER

DESCRIPTION

10 size, 7/8 -14 thread, "Delta" series, solenoid operated, 4 way 2 position, tandem center spool valve.

OPERATION

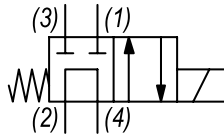
When de-energized the DG-S4C allows flow between (2) and (4), and blocks flow at ports (1) and (3).

When energized the valve allows flow from (2) to (3) and (1) to (4).

OPERATION OF MANUAL OVERRIDE OPTION: to override, pull knob out. On the detented version, after pulling knob out twist 180 degrees and release. The valve will remain in that position.

FEATURES

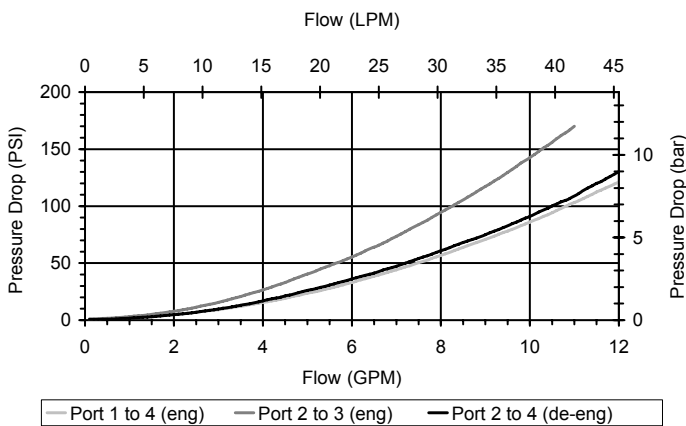
- Hardened parts for long life.
- Efficient wet-armature construction.
- Cartridges are voltage interchangeable.
- Manual override option.
- Industry common cavity.
- Unitized, molded coil design.
- Continuous duty rated solenoid.
- Optional coil voltages and terminations.
- Optional "I" Coil: Weatherproof, Thermal Shock, Immersion Safe.

HYDRAULIC SYMBOL


For higher pressures see HG-S4C. Operational shift limit, 8 GPM (30 LPM). For shift performance consult chart.

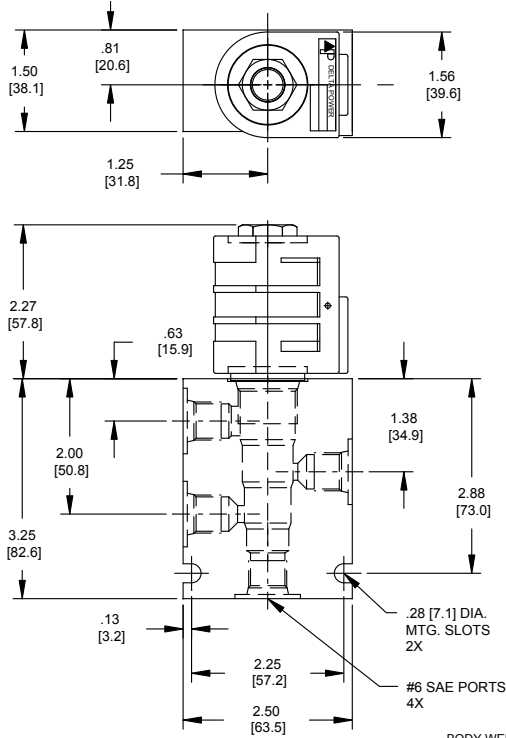
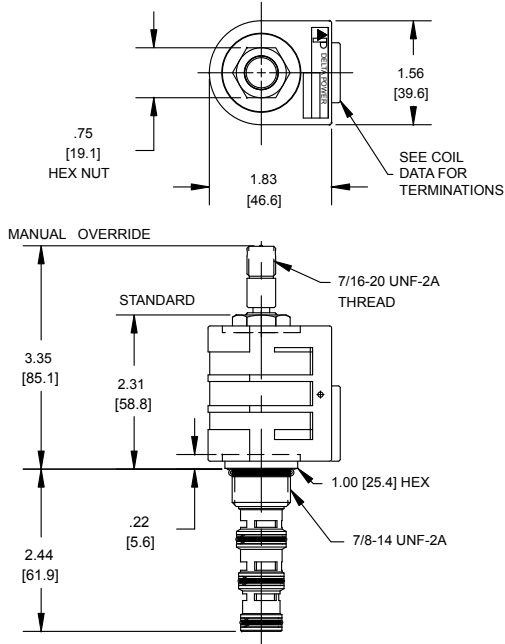
PERFORMANCE

Actual Test Data (Cartridge Only)


VALVE SPECIFICATIONS

Nominal Flow	8 GPM (30 LPM)
Rated Operating Pressure	3000 PSI (207 bar)
Typical Internal Leakage (150 SSU)	5 cu in/min (82 ml/min) per path
Viscosity Range	36 to 3000 SSU (3 to 647 cSt)
Filtration	ISO 18/16/13
Media Operating Temp. Range	-40° to 250°F (-40° to 120°C)
Weight	.31 lbs (.14 kg)
Operating Fluid Media	General Purpose Hydraulic Fluid
Cartridge Torque Requirements	30 ft-lbs (40.6 Nm)
Coil Nut Torque Requirements	4-6 ft-lbs (5.4-8.1 Nm)
Cavity	DELTA 4W
Cavity Tools Kit	
(form tool, reamer, tap)	40500002
Seal Kit	21191214

DIMENSIONS



BODY WEIGHT: .99 lbs (.45 kg)

ORDERING INFORMATION

Approximate Coil Weight: .74 lbs (.33 kg)

DG-S4C

- OPTIONS**
- Buna Standard **00**
 - Viton Standard **V0**
 - Buna, Override, Detent **0M**
 - Viton, Override, Detent **VM**
 - Buna, Override, Non-detent **B1**
 - Viton, Override, Non-detent **V1**

- BODIES**
- Blank Without Body
 - N** 1/4 NPTF Ports
 - S** #6 SAE Ports

- VOLTAGE**
- 06** 6 VDC
 - 12** 12 VDC
 - 24** 24 VDC
 - 36** 36 VDC
 - 48** 48 VDC
 - 25** 24 VAC
 - 11** 115 VAC
 - 22** 220 VAC
 - 44** 440 VAC

“D” COIL TERMINATION
(All DC Except as Noted)

- DL** Double Lead
- DT** Deutsch on Leads DT04-2P
- ML** Metri-Pack on Leads
- PL** Packard on Leads
- WL** Weatherpack on Leads

- SS** Single Spade
- DS** Double Spade
- HC** DIN 43650 (Hirschmann) - (AC&DC)
- CL** Conduit Lead - (AC Only)
- DI** Deutsch - Integral DT04-2P

IMMERSION PROOF “D” TYPE

- IA** “I” Coil AMP Superseal - Integral
- ID** “I” Coil - Deutsch - Integral DT04-2P
- IJ** “I” Coil AMP Jr. Timer - Integral
- IM** “I” Coil - Metri-Pack - Integral

WARNING: the specifications/application data shown in our catalogs and data sheets are intended only as a general guide for the product described (herein). Any specific application should not be undertaken without independent study, evaluation, and testing for suitability.