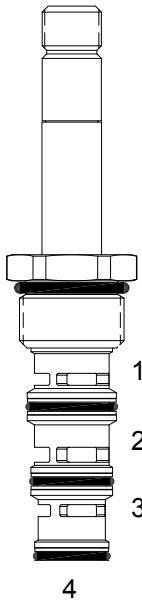


DG-S4D DIRECT ACTING SPOOL, 4 WAY 2 POSITION, CRISS CROSS

DESCRIPTION

10 size, 7/8-14 thread, "Delta" series, solenoid operated, 4 way 2 position, criss cross, bottom flow spool valve.

OPERATION

When de-energized the DG-S4D allows flow from (4) to (1), and (3) to (2). When energized the valve allows flow from (4) to (3) and (1) to (2).

OPERATION OF MANUAL OVERRIDE OPTION: to override, pull knob out. On the detented version, after pulling knob out twist 180 degrees and release. The valve will remain in that position.

FEATURES

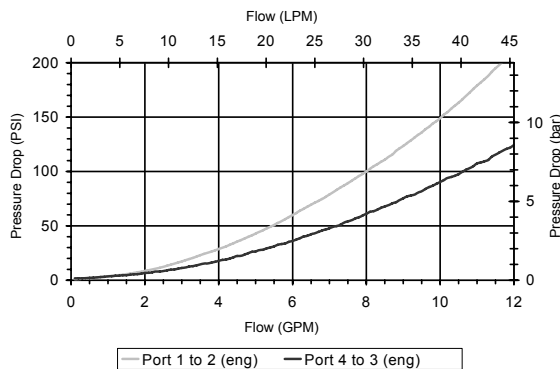
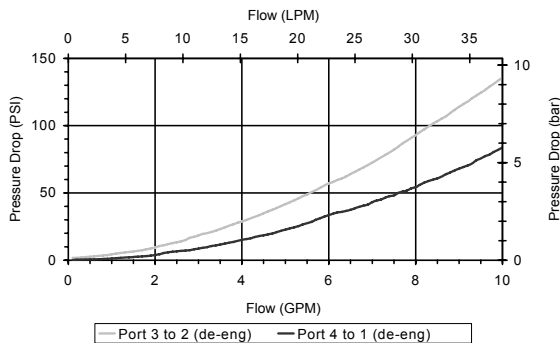
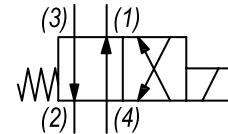
- Hardened parts for long life.
- Efficient wet-armature construction.
- Cartridges are voltage interchangeable.
- Manual override option.
- Industry common cavity.
- Unitized, molded coil design.
- Continuous duty rated solenoid.
- Optional coil voltages and terminations.
- Optional "I" Coil: Weatherproof, Thermal Shock, Immersion Safe.



For higher pressures see HG-S4D. Operational shift limit, 6 GPM (23 LPM). For shift performance consult chart.

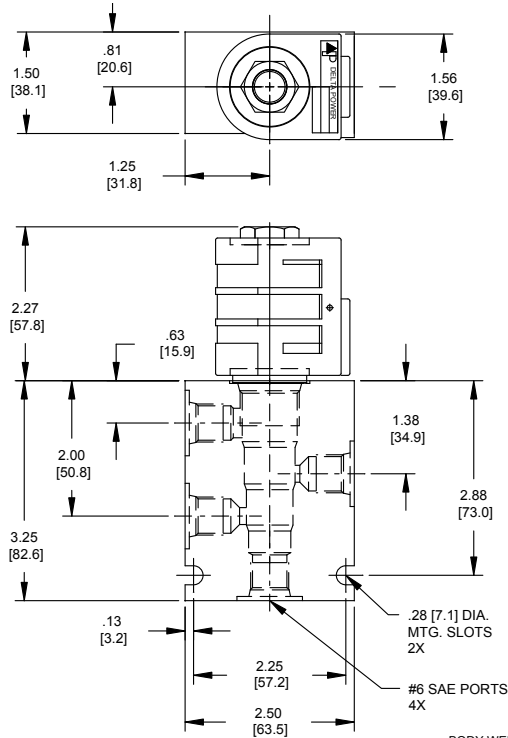
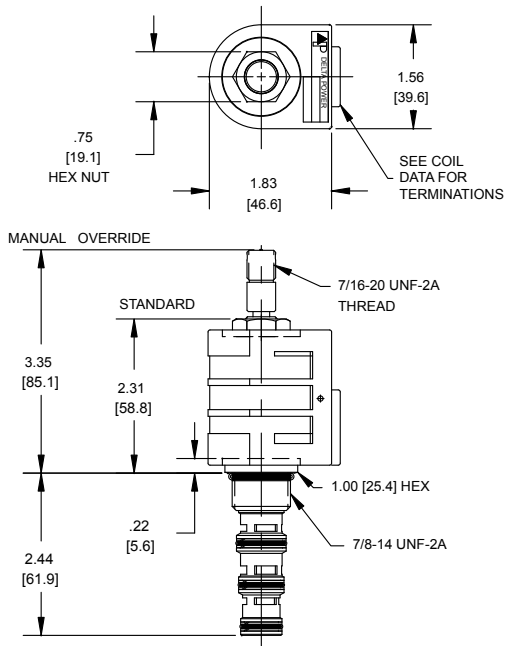
PERFORMANCE

Actual Test Data (Cartridge Only)


HYDRAULIC SYMBOL

VALVE SPECIFICATIONS

Nominal Flow	6 GPM (23 LPM)
Rated Operating Pressure	3000 PSI (207 bar)
Typical Internal Leakage (150 SSU)	5 cu in/min (82 ml/min) per path
Viscosity Range	36 to 3000 SSU (3 to 647 cSt)
Filtration	ISO 18/16/13
Media Operating Temp. Range	-40° to 250°F (-40° to 120°C)
Weight	.31 lbs (.14 kg)
Operating Fluid Media	General Purpose Hydraulic Fluid
Cartridge Torque Requirements	30 ft-lbs (40.6 Nm)
Coil Nut Torque Requirements	4-6 ft-lbs (5.4-8.1 Nm)
Cavity	DELTA 4W
Cavity Tools Kit	
(form tool, reamer, tap)	40500002
Seal Kit	21191214

DIMENSIONS



BODY WEIGHT: .99 lbs (.45 kg)

ORDERING INFORMATION

Approximate Coil Weight: .74 lbs (.33 kg)

DG-S4D

- OPTIONS**
- Buna Standard **00**
 - Viton Standard **V0**
 - Buna, Override **0M**
 - Viton, Override **VM**
 - Buna, Override, Non-detent **B1**
 - Viton, Override, Non-detent **V1**

- BODIES**
- Blank Without Body
 - N** 1/4 NPTF Ports
 - S** #6 SAE Ports

- VOLTAGE**
- 06** 6 VDC
 - 12** 12 VDC
 - 24** 24 VDC
 - 36** 36 VDC
 - 48** 48 VDC
 - 25** 24 VAC
 - 11** 115 VAC
 - 22** 220 VAC
 - 44** 440 VAC

“D” COIL TERMINATION
(All DC Except as Noted)

- DL** Double Lead
- DT** Deutsch on Leads DT04-2P
- ML** Metri-Pack on Leads
- PL** Packard on Leads
- WL** Weatherpack on Leads

- SS** Single Spade
- DS** Double Spade
- HC** DIN 43650 (Hirschmann) - (AC&DC)
- CL** Conduit Lead - (AC Only)
- DI** Deutsch - Integral DT04-2P

IMMERSION PROOF “D” TYPE

- IA** “I” Coil AMP Superseal - Integral
- ID** “I” Coil - Deutsch - Integral DT04-2P
- IJ** “I” Coil AMP Jr. Timer - Integral
- IM** “I” Coil - Metri-Pack - Integral

WARNING: the specifications/application data shown in our catalogs and data sheets are intended only as a general guide for the product described (herein). Any specific application should not be undertaken without independent study, evaluation, and testing for suitability.