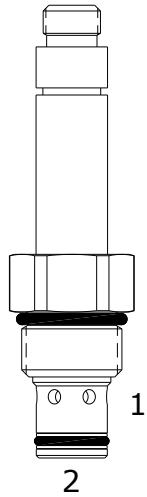


HDE-S2H DIRECT ACTING SPOOL, 2 WAY NORMALLY OPEN

DESCRIPTION

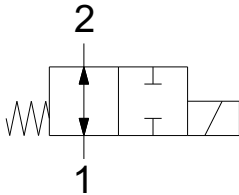
"High Pressure", 10 size, 7/8-14 thread, "Delta" series, solenoid operated, 2 way normally open, spool valve

OPERATION

When de-energized, the HDE-S2H allows flow from (1) to (2) and (2) to (1). When energized, the valve blocks flow from (1) to (2) and (2) to (1).

FEATURES

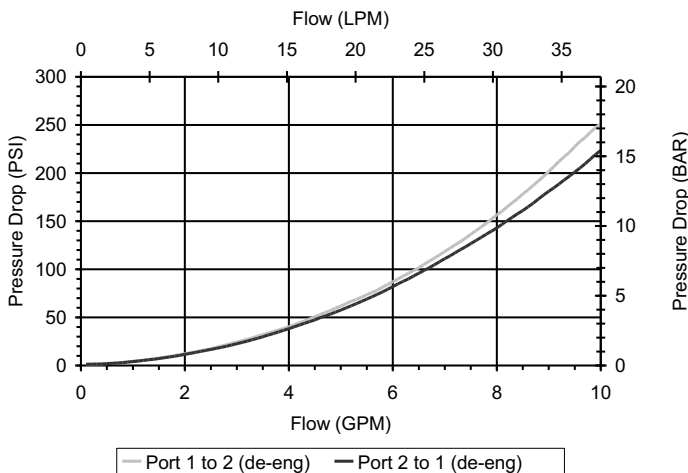
- Hardened parts for long life.
- Efficient wet-armature construction.
- Cartridges are voltage interchangeable.
- Industry common cavity.
- Unitized, molded coil design.
- Continuous duty rated solenoid.
- Optional coil voltages and terminations.
- Optional "I" Coil: Weatherproof, Thermal Shock, Immersion Safe.

HYDRAULIC SYMBOL


Uses "L" Coil.
Preferred inlet port is #1 (side).

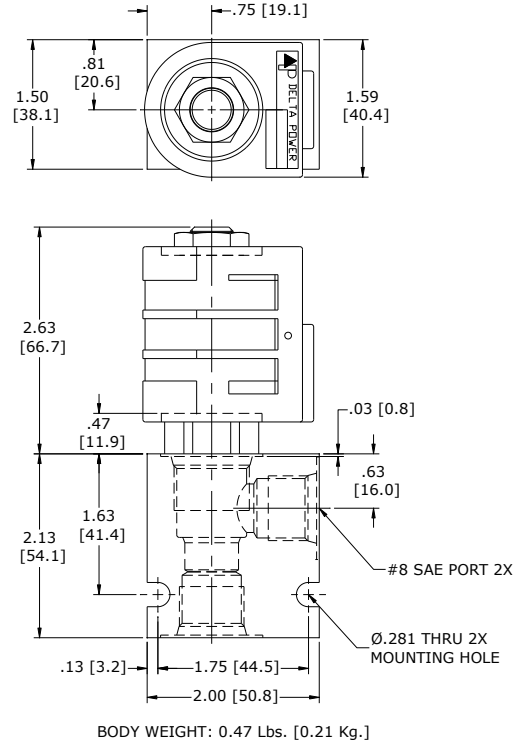
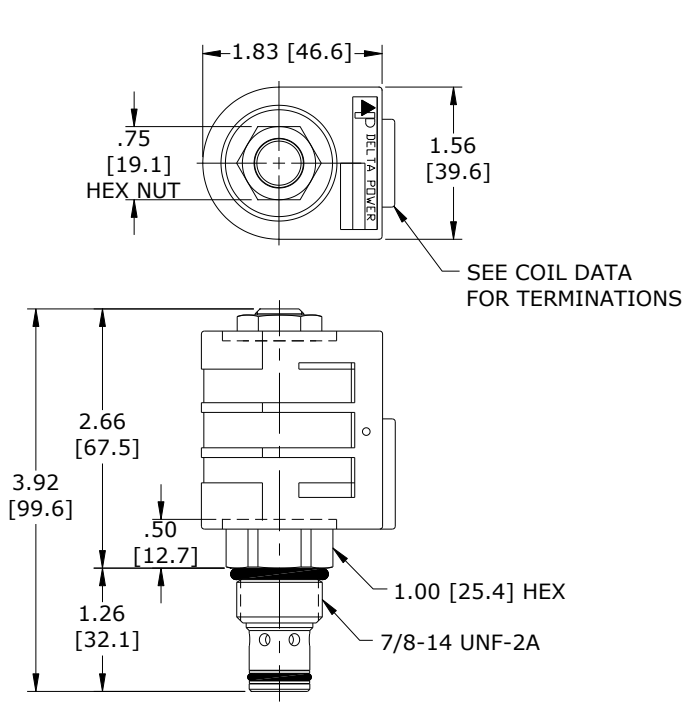
PERFORMANCE

Actual Test Data (Cartridge Only)


VALVE SPECIFICATIONS

Maximum Flow	8 GPM (30 LPM) from 1 to 2 5 GPM (19 LPM) from 2 to 1
Max Operating Pressure	4200 PSI (290 bar)
Typical Internal Leakage (150 SSU)	8 cu in/min (131 ml/min)
Viscosity Range	36 to 3000 SSU (3 to 647 cSt)
Filtration	ISO 18/16/13
Media Operating Temperature Range	-40° to 250° F (-40° to 120° C)
Weight	0.38 lbs. (0.17 kg)
Operating Fluid Media	General Purpose Hydraulic Fluid
Cartridge Torque Requirements	50 ft-lbs (68 Nm)
Coil Nut Torque Requirements	4-6 ft-lbs (5.4-8.1 Nm)
Cavity	DELTA 2W
Cavity Form Tool (Finishing)	40500000
Seal Kit	21191202

DIMENSIONS



ORDERING INFORMATION

HDE-S2H

OPTIONS
 Buna Standard **00**
 Viton Standard **V0**

Blank
N
S

BODIES
 Without Body
 3/8 NPTF Ports
 #8 SAE Ports

Note: Aluminum **NOT** durability rated for 4200 PSI. Consult factory options.

VOLTAGE
06 6 VDC
12 12 VDC
24 24 VDC
36 36 VDC
48 48 VAC
25 25 VAC
11 120 VAC
22 220 VAC
44 440 VAC

“L” - COIL TERMINATION
 (All DC Except as Noted)

DL Double Lead
DT Deutsch on Leads DT04-2P
ML Metri-Pack on Leads
PL Packard on Leads
WL Weatherpack on Leads

SS Single Spade
DS Double Spade
HC DIN 43650 (Hirschman) – (AC & DC)
CL Conduit Lead – (AC Only)
DI Deutsch – Integral DT04-2P

IMMERSION PROOF “L” TYPE
IA “I” Coil AMP Superseal - Integral
ID “I” Coil Deutsch – Integral DT04-2P
IJ “I” Coil AMP Jr. Timer - Integral
IM “I” Coil Metri-Pack – Integral

Approximate Coil Weight: .68 lbs. (.31 kg.)

WARNING: the specifications/application data shown in our catalogs and data sheets are intended only as a general guide for the product described (herein). Any specific application should not be undertaken without independent study, evaluation, and testing for suitability.