

**HDF-S3C 3 WAY 2 POSITION, SOLENOID OPERATED SPOOL VALVE**

**DESCRIPTION**

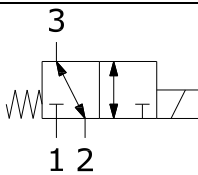
"High pressure" 10 size, 7/8-14 thread, "Delta" series, solenoid operated, 3 way 2 position, spool valve.

**OPERATION**

When de-energized the HDF-S3C allows flow from (3) to (2) and blocks flow at port (1). When energized the valve allows flow from (1) to (3) and blocks flow at port (2).

**FEATURES**

- Hardened parts for long life.
- Efficient wet-armature construction.
- Cartridges are voltage interchangeable.
- Industry common cavity.
- Unitized, molded coil design.
- Continuous duty rated solenoid.
- Optional coil voltages and terminations.
- Optional "I" Coil: Weatherproof, Thermal Shock, Immersion Safe.

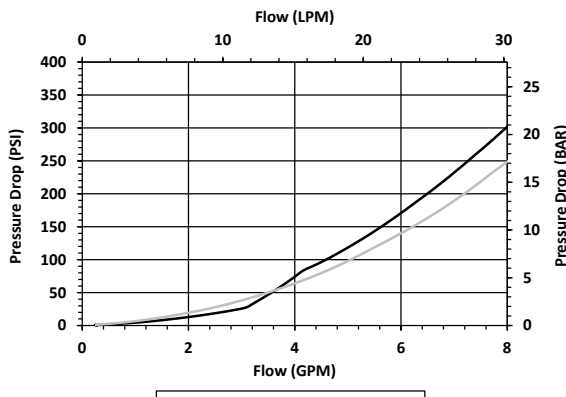
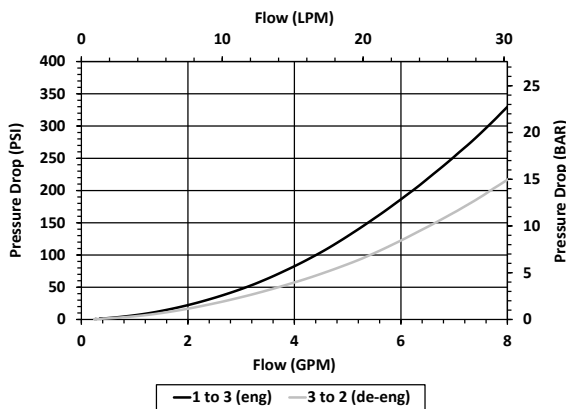
**HYDRAULIC SYMBOL**


Common lift/lower valve where load holding is not required.

Installation of this valve does not allow for the use of orifice disks beneath the valve in a standard cavity.

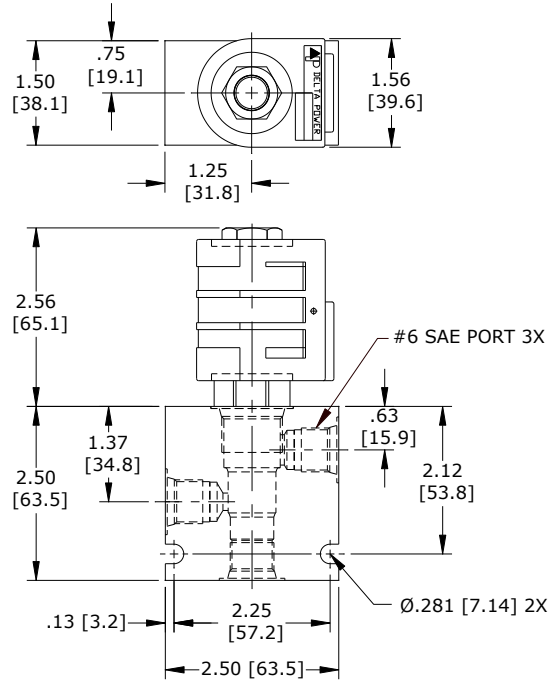
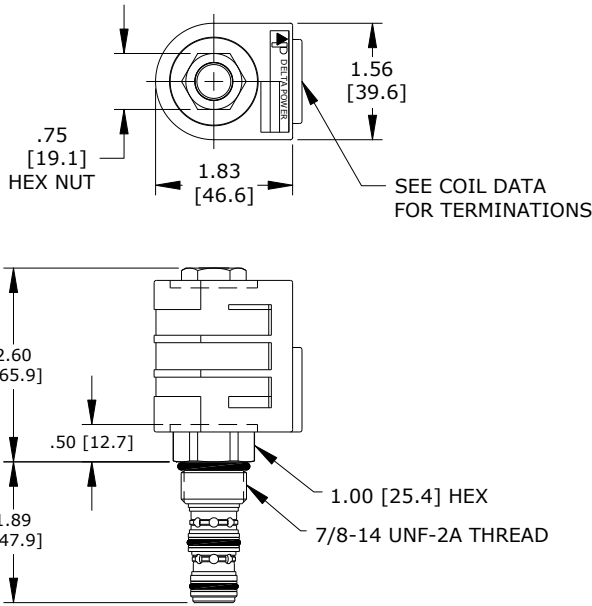
**PERFORMANCE**

Actual Test Data (Cartridge Only)


**VALVE SPECIFICATIONS**

Nominal Flow	5 GPM (19 LPM) or See Curves
Rated Operating Pressure	4200 PSI (290 bar)
Typical Internal Leakage (150 SSU)	10 cu/in per min (164 ml/min)
Viscosity Range	36 to 3000 SSU (3 to 647 cSt)
Filtration	ISO 18/16/13
Media Operating Temperature Range	-40° to 250° F (-40° to 120° C)
Weight	0.28 lbs. (0.12 kg)
Operating Fluid Media	General Purpose Hydraulic Fluid
Cartridge Torque Requirements	40 ft-lbs (54 Nm)
Coil Nut Torque Requirements	4-6 ft-lbs (5.4-8.1 Nm)
Cavity	<a href="#">DELTA 3W</a>
Cavity Form Tool (Finishing)	40500001
Seal Kit	21191210

**DIMENSIONS**



**ORDERING INFORMATION**

**HDF-S3C**

- OPTIONS**  
 Buna Standard **00**  
 Viton Standard **V0**

- BODIES**  
 Blank  
**N** Without Body  
**S** 1/4 NPTF Ports  
**S** #6 SAE Ports

Note: Aluminum **NOT** durability rated for 4200 PSI. Consult factory for body options.

- VOLTAGE**  
**06** 6 VDC  
**12** 12 VDC  
**24** 24 VDC  
**36** 36 VDC  
**48** 48 VDC  
**25** 24 VAC  
**11** 115 VAC  
**22** 220 VAC  
**44** 440 VAC

**“L” COIL TERMINATION**  
 (All DC Except as Noted)

- DL** Double Lead  
**DT** Deutsch on Leads DT04-2P  
**ML** Metri-Pack on Leads  
**PL** Packard on Leads  
**WL** Weatherpack on Leads

- SS** Single Spade  
**DS** Double Spade  
**HC** Din 43650 (Hirshman) - (AC & DC)  
**CL** Conduit Lead - (AC Only)  
**DI** Deutsch - Integral DT04-2P

- IMMERSION PROOF “L” TYPE**  
**IA** “I” Coil AMP Superseal - Integral  
**ID** “I” Coil - Deutsch - Integral DT04-2P  
**IJ** “I” Coil AMP Jr. Timer - Integral  
**IM** “I” Coil - Metri-Pack - Integral

Approximate Coil Weight: .74 lbs/.33 kg.

**WARNING:** the specifications/application data shown in our catalogs and data sheets are intended only as a general guide for the product described (herein). Any specific application should not be undertaken without independent study, evaluation, and testing for suitability.