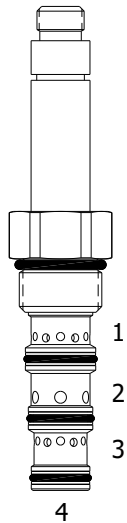


**HDG-S4A DIRECT ACTING SPOOL, 4 WAY 2 POSITION, CRISS CROSS**

**DESCRIPTION**

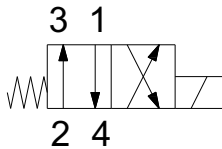
"High Pressure" 10 size, 7/8-14 thread, "Delta" series, 4 way 2 position, side flow spool valve.

**OPERATION**

When de-energized the HDG-S4A allows flow from (1) to (4) and from (2) to (3). When energized the valve allows flow from (2) to (1) and from (3) to (4).

**FEATURES**

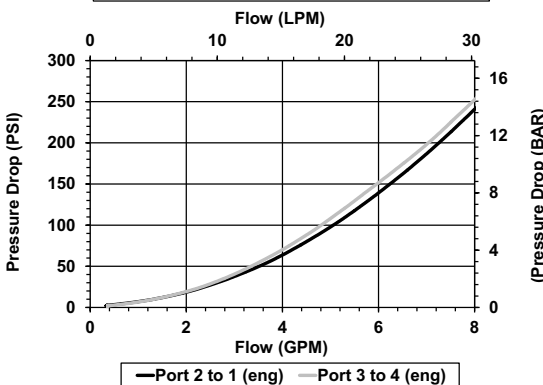
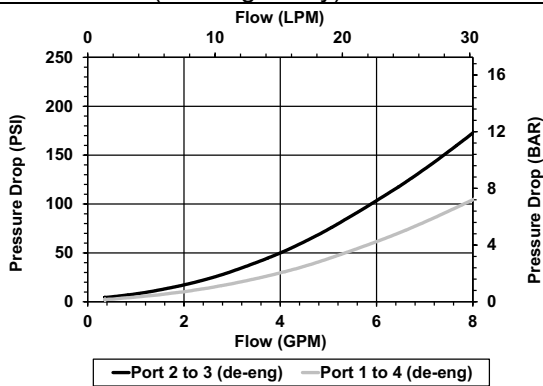
- Hardened parts for long life.
- Efficient wet-armature construction.
- Cartridges are voltage interchangeable.
- Industry common cavity.
- Unitized, molded coil design.
- Continuous duty rated solenoid.
- Optional coil voltages and terminations.
- Optional "I" Coil: Weatherproof, Thermal Shock, Immersion Safe.

**HYDRAULIC SYMBOL**


Uses "L" Coil.

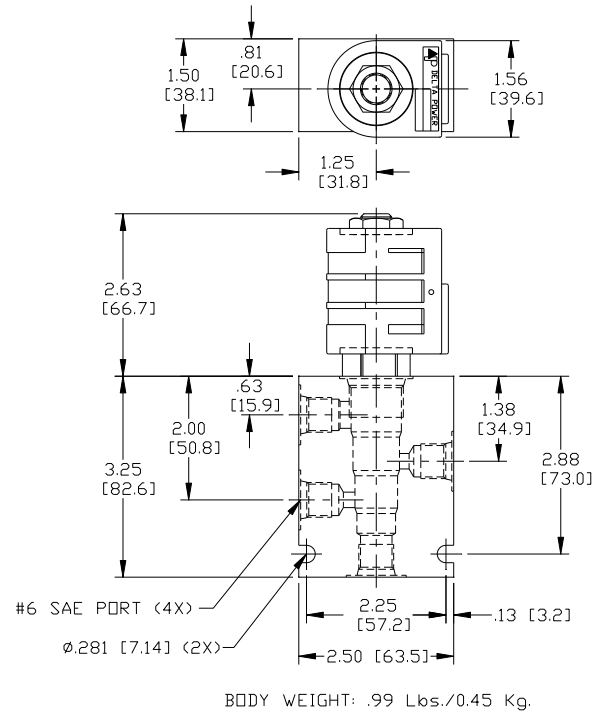
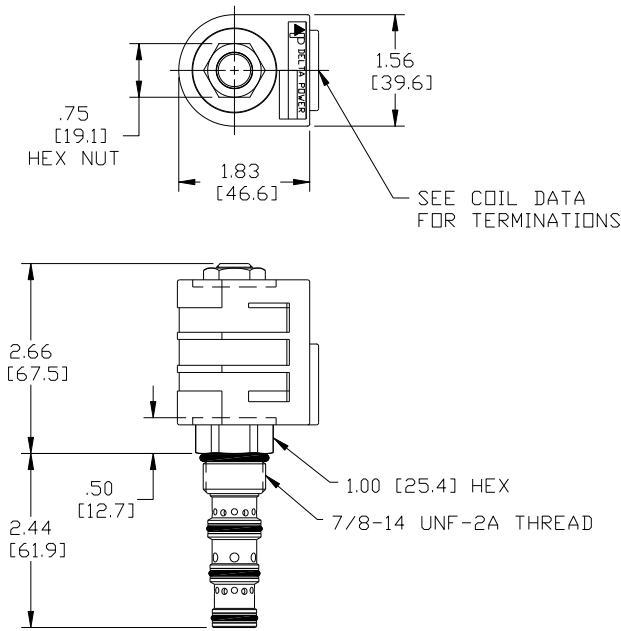
**PERFORMANCE**

Actual Test Data (Cartridge Only)


**VALVE SPECIFICATIONS**

Nominal Flow	6 GPM (23 LPM)
Rated Operating Pressure	4500 PSI (310 bar)
Typical Internal Leakage (150 SSU)	10 cu in/min (164 ml/min) per path
Viscosity Range	36 to 3000 SSU (3 to 647 cSt)
Filtration	ISO 18/16/13
Media Operating Temperature Range	-40° to 250° F (-40° to 120° C)
Weight	0.44 lbs. (0.20 kg)
Operating Fluid Media	General Purpose Hydraulic Fluid
Cartridge Torque Requirements	40 ft-lbs (54 Nm)
Coil Nut Torque Requirements	4-6 ft-lbs (5.4-8.1 Nm)
Cavity	<a href="#">DELTA 4W</a>
Cavity Form Tool (Finishing)	40500002
Seal Kit	21191214

**DIMENSIONS**



**ORDERING INFORMATION**

**HDG-S4A**

- OPTIONS**  
 Buna Standard **00**  
 Viton Standard **V0**

- BODIES**  
 Blank  
**N** Without Body  
**S** 1/4 NPTF Ports  
**S** #6 SAE Ports

Note: Aluminum **NOT** durability rated for 4500 PSI. Consult factory for body options.

- VOLTAGE**  
**06** 6 VDC  
**12** 12 VDC  
**24** 24 VDC  
**36** 36 VDC  
**48** 48 VDC  
**25** 24 VAC  
**11** 115 VAC  
**22** 220 VAC  
**44** 440 VAC

**“L” COIL TERMINATION**  
 (All DC Except as Noted)

- DL** Double Lead  
**DT** Deutsch on Leads DT04-2P  
**ML** Metri-Pack on Leads  
**PL** Packard on Leads  
**WL** Weatherpack on Leads

- SS** Single Spade  
**DS** Double Spade  
**HC** DIN 43650 (Hirschman) – (AC & DC)  
**CL** Conduit Lead – (AC Only)  
**DI** Deutsch – Integral DT04-2P

**IMMERSION PROOF “L” TYPE**

- IA** “I” Coil AMP Superseal - Integral  
**ID** “I” Coil Deutsch – Integral DT04-2P  
**IJ** “I” Coil AMP Jr. Timer - Integral  
**IM** “I” Coil Metri-Pack – Integral

Approximate Coil Weight: .68 lbs. (.31 kg.)

**WARNING:** the specifications/application data shown in our catalogs and data sheets are intended only as a general guide for the product described (herein). Any specific application should not be undertaken without independent study, evaluation, and testing for suitability.