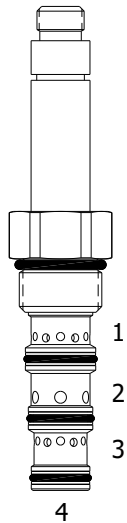


HDG-S4C DIRECT ACTING SPOOL, 4 WAY 2 POSITION, TANDEM CENTER

DESCRIPTION

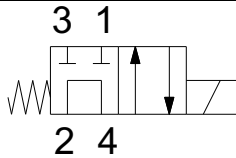
"High Pressure" 10 size, 7/8-14 thread, "Delta" series, solenoid operated, 4 way 2 position tandem center spool valve.

OPERATION

When de-energized the HDG-S4C allows flow between (2) and (4) and blocks the flow at (1) and (3). When energized the valve allows flow from (2) to (3) and from (1) to (4).

FEATURES

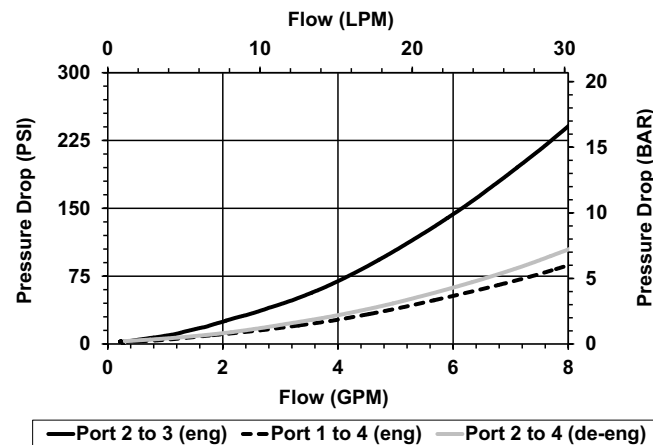
- Hardened Parts for long life.
- Efficient wet-armature construction.
- Cartridges are voltage interchangeable.
- Industry common cavity.
- Unitized, molded coil design.
- Continuous duty rated solenoid.
- Optional coil voltages and terminations.
- Optional "I" Coil: Weatherproof, Thermal Shock, Immersion Safe.

HYDRAULIC SYMBOL


Uses "L" Coil.

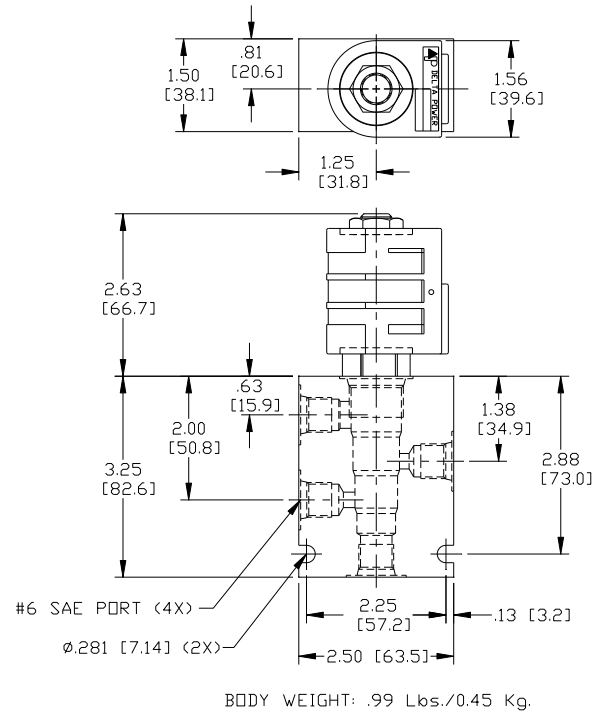
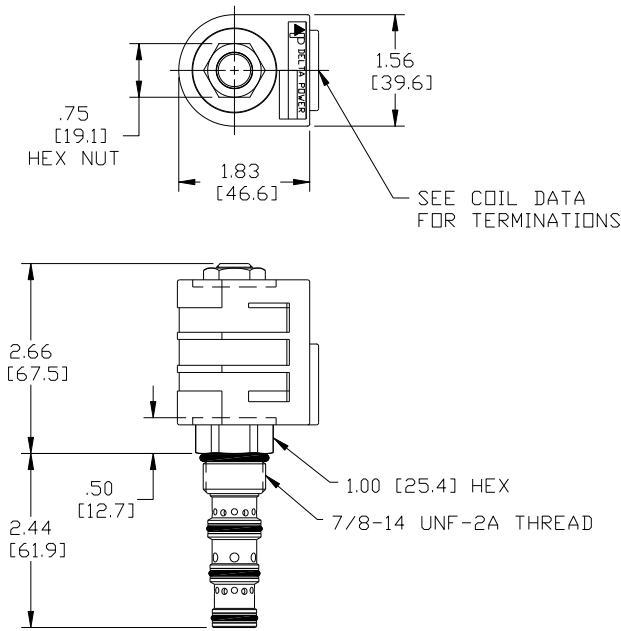
PERFORMANCE

Actual Test Data (Cartridge Only)


VALVE SPECIFICATIONS

Nominal Flow	6 GPM (23 LPM)
Rated Operating Pressure	4500 PSI (310 bar)
Typical Internal Leakage (150 SSU)	10 cu in/min (164 ml/min) per path
Viscosity Range	36 to 3000 SSU (3 to 647 cSt)
Filtration	ISO 18/16/13
Media Operating Temperature Range	-40° to 250° F (-40° to 120° C)
Weight	0.43 lbs. (0.20 kg)
Operating Fluid Media	General Purpose Hydraulic Fluid
Cartridge Torque Requirements	40 ft-lbs (54 Nm)
Coil Nut Torque Requirements	4-6 ft-lbs (5.4-8.1 Nm)
Cavity	DELTA 4W
Cavity Form Tool (Finishing)	40500002
Seal Kit	21191214

DIMENSIONS



ORDERING INFORMATION

HDG-S4C

- OPTIONS**
 Buna Standard **00**
 Viton Standard **V0**

- BODIES**
 Blank **N**
 Without Body **S**
 1/4 NPTF Ports
 #6 SAE Ports

Note: Aluminum **NOT** durability rated for 4500 PSI. Consult factory for body options.

- VOLTAGE**
06 6 VDC
12 12 VDC
24 24 VDC
36 36 VDC
48 48 VDC
25 24 VAC
11 115 VAC
22 220 VAC
44 440 VAC

"L" COIL TERMINATION
 (All DC Except as Noted)

- DL** Double Lead
DT Deutsch on Leads DT04-2P
ML Metri-Pack on Leads
PL Packard on Leads
WL Weatherpack on Leads

- SS** Single Spade
DS Double Spade
HC DIN 43650 (Hirschman) – (AC & DC)
CL Conduit Lead – (AC Only)
DI Deutsch – Integral DT04-2P

- IMMERSION PROOF "L" TYPE**
IA "I" Coil AMP Superseal - Integral
ID "I" Coil Deutsch – Integral DT04-2P
IJ "I" Coil AMP Jr. Timer - Integral
IM "I" Coil Metri-Pack – Integral

Approximate Coil Weight: .68 lbs. (.31 kg.)

WARNING: the specifications/application data shown in our catalogs and data sheets are intended only as a general guide for the product described (herein). Any specific application should not be undertaken without independent study, evaluation, and testing for suitability.