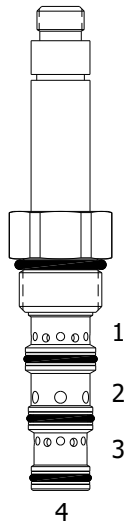


**HDG-S4D DIRECT ACTING SPOOL, 4 WAY 2 POSITION, BOTTOM FLOW**

**DESCRIPTION**

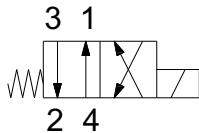
"High Pressure" 10 size, 7/8-14 thread, "Delta" series, solenoid operated, 4 way 2 position bottom flow spool valve.

**OPERATION**

When de-energized the HDG-S4D allows flow from (4) to (1) and from (3) to (2). When energized the valve allows flow from (4) to (3) and from (1) to (2).

**FEATURES**

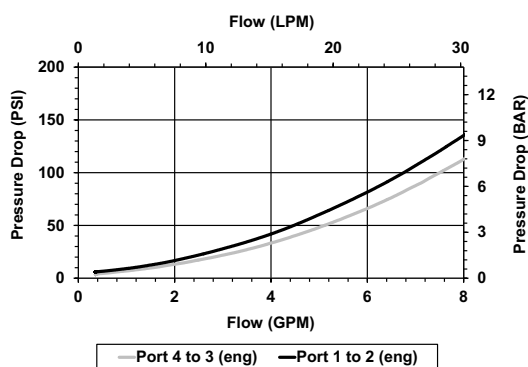
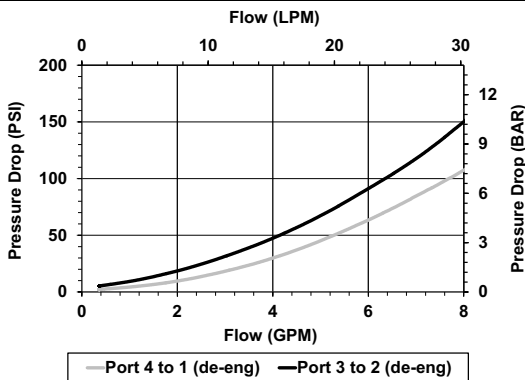
- Hardened parts for long life.
- Efficient wet-armature construction.
- Cartridges are voltage interchangeable.
- Industry common cavity.
- Unitized, molded coil design.
- Continuous duty rated solenoid.
- Optional coil voltages and terminations.
- Optional "I" Coil: Weatherproof, Thermal Shock, Immersion Safe.

**HYDRAULIC SYMBOL**


Uses "L" Coil.

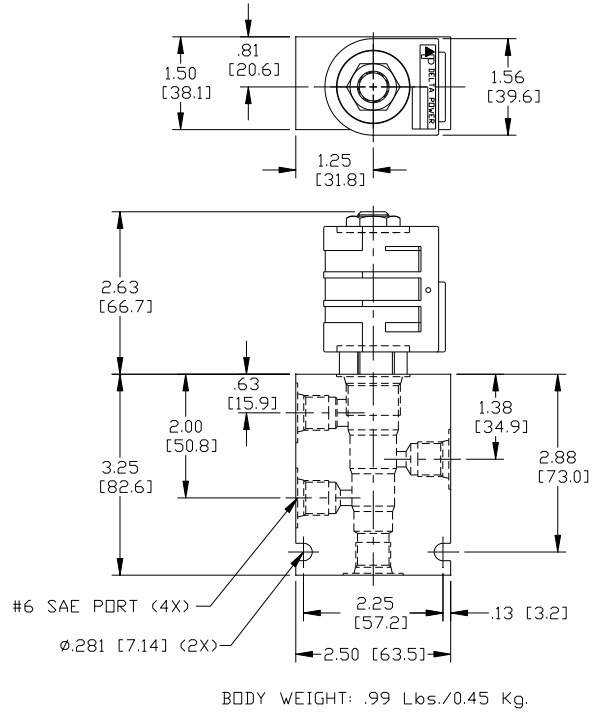
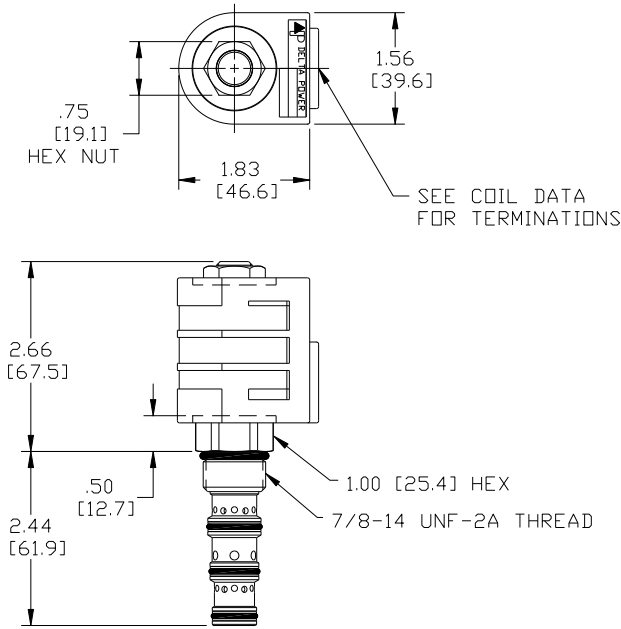
**PERFORMANCE**

Actual Test Data (Cartridge Only)


**VALVE SPECIFICATIONS**

|                                    |                                    |
|------------------------------------|------------------------------------|
| Nominal Flow                       | 6 GPM (23 LPM)                     |
| Rated Operating Pressure           | 4500 PSI (310 bar)                 |
| Typical Internal Leakage (150 SSU) | 10 cu in/min (164 ml/min) per path |
| Viscosity Range                    | 36 to 3000 SSU (3 to 647 cSt)      |
| Filtration                         | ISO 18/16/13                       |
| Media Operating Temperature Range  | -40° to 250° F (-40° to 120° C)    |
| Weight                             | 0.43 lbs. (0.20 kg)                |
| Operating Fluid Media              | General Purpose Hydraulic Fluid    |
| Cartridge Torque Requirements      | 40 ft-lbs (54 Nm)                  |
| Coil Nut Torque Requirements       | 4-6 ft-lbs (5.4-8.1 Nm)            |
| Cavity                             | <a href="#">DELTA 4W</a>           |
| Cavity Form Tool (Finishing)       | 40500002                           |
| Seal Kit                           | 21191214                           |

**DIMENSIONS**



**ORDERING INFORMATION**

**HDG-S4D**

**OPTIONS**  
 Buna Standard **00**  
 Viton Standard **V0**

**BODIES**  
 Blank **N**  
 Without Body **S**  
 1/4 NPTF Ports  
 #6 SAE Ports

Note: Aluminum **NOT** durability rated for 4500 PSI. Consult factory for options.

**VOLTAGE**  
**06** 6 VDC  
**12** 12 VDC  
**24** 24 VDC  
**36** 36 VDC  
**48** 48 VDC  
**25** 24 VAC  
**11** 115 VAC  
**22** 220 VAC  
**44** 440 VAC

**"L" COIL TERMINATION**  
 (All DC Except as Noted)

**DL** Double Lead  
**DT** Deutsch on Leads DT04-2P  
**ML** Metri-Pack on Leads  
**PL** Packard on Leads  
**WL** Weatherpack on Leads

**SS** Single Spade  
**DS** Double Spade  
**HC** DIN 43650 (Hirschman) – (AC & DC)  
**CL** Conduit Lead – (AC Only)  
**DI** Deutsch – Integral DT04-2P

**IMMERSION PROOF "L" TYPE**  
**IA** "I" Coil AMP Superseal - Integral  
**ID** "I" Coil Deutsch – Integral DT04-2P  
**IJ** "I" Coil AMP Jr. Timer - Integral  
**IM** "I" Coil Metri-Pack – Integral

Approximate Coil Weight: .68 lbs. (.31 kg.)

**WARNING:** the specifications/application data shown in our catalogs and data sheets are intended only as a general guide for the product described (herein). Any specific application should not be undertaken without independent study, evaluation, and testing for suitability.