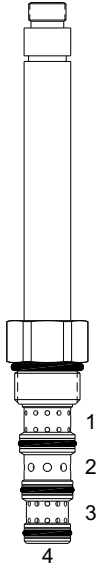


**HDG-S4O DIRECT ACTING SPOOL, 4 WAY 3 POSITION, OPEN CENTER**



**DESCRIPTION**

“High Pressure” 10 size, 7/8-14 thread, “Delta” series, solenoid operated, 4 way 3 position, open center spool valve.

**OPERATION**

When de-energized the HDG-S4O is open to all ports, all pressures are relieved. When outer coil (S1) is energized the valve allows flow from (2) to (1) and from (3) to (4). When inner coil (S2) is energized the valve allows flow from (2) to (3) and from (1) to (4).

**FEATURES**

- Hardened parts for long life.
- Efficient wet-armature construction.
- Cartridges are voltage interchangeable.
- Industry common cavity.
- Unitized, molded coil design.
- Continuous duty rated solenoid.
- Optional coil voltages and terminations.
- Optional “I” Coil: Weatherproof, Thermal Shock, Immersion Safe.

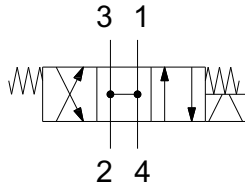


Uses “L” coil.

**VALVE SPECIFICATIONS**

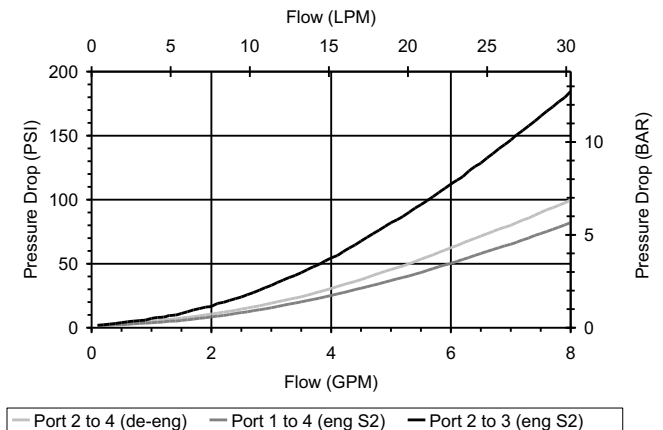
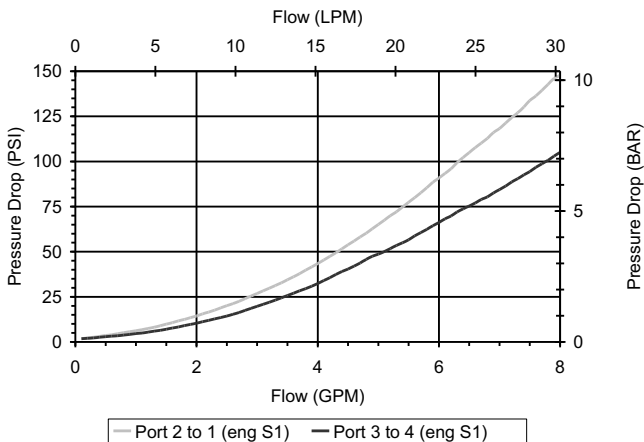
Nominal Flow	6 GPM (23 LPM)
Rated Operating Pressure	4200 PSI (290 bar)
Typical Internal Leakage (150 SSU)	8 cu in/min (131 ml/min) per path
Viscosity Range	36 to 3000 SSU (3 to 647 cSt)
Filtration	ISO 18/16/13
Media Operating Temperature Range	-40° to 250° F (-40° to 120° C)
Weight	0.50 lbs. (0.23 kg)
Operating Fluid Media	General Purpose Hydraulic Fluid
Cartridge Torque Requirements	40 ft-lbs (54 Nm)
Coil Nut Torque Requirements	4-6 ft-lbs (5.4 to 8.1 Nm)
Cavity	<a href="#">DELTA 4W</a>
Cavity Form Tool (Finishing)	40500002
Seal Kit	21191214

**HYDRAULIC SYMBOL**



**PERFORMANCE**

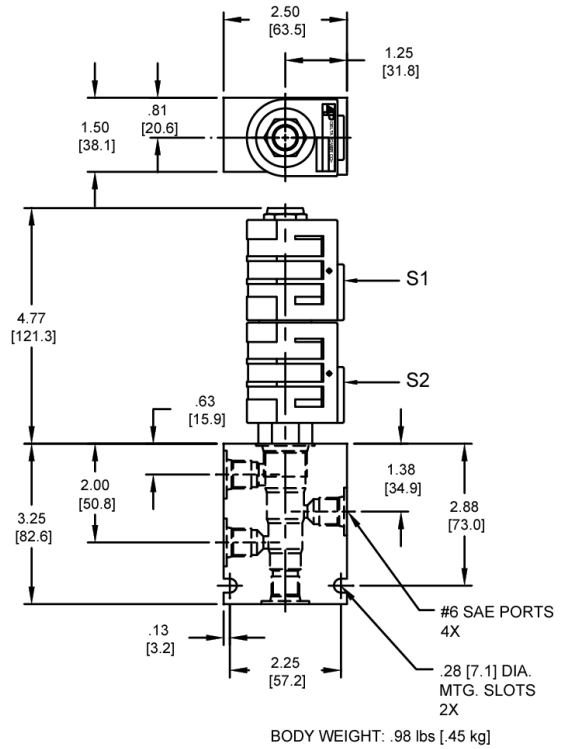
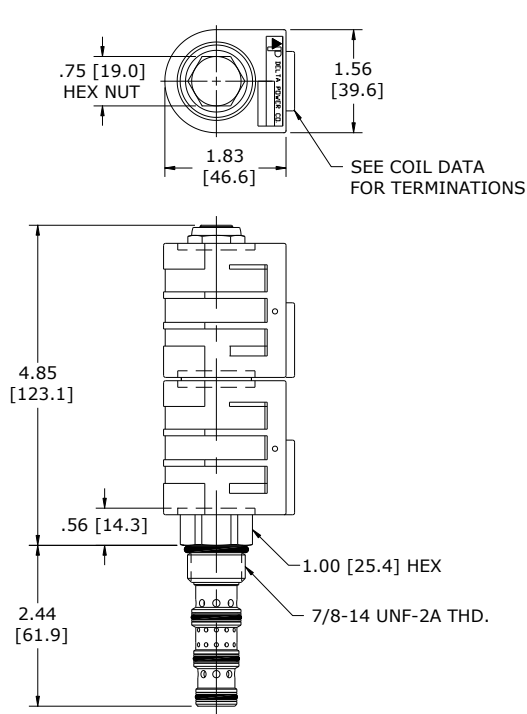
Actual Test Data (Cartridge Only)



W51/2-2023

**WARNING:** the specifications/application data shown in our catalogs and data sheets are intended only as a general guide for the product described (herein). Any specific application should not be undertaken without independent study, evaluation, and testing for suitability.

**DIMENSIONS**



**ORDERING INFORMATION**

**HDG-S40**

**OPTIONS**  
 Buna Standard **00**  
 Viton Standard **V0**

**BODIES**  
 Without Body  
**N** 1/4 NPTF Ports  
**S** #6 SAE Ports

Note: Aluminum **NOT** durability rated for 4200 PSI. Consult factory for body options.

**VOLTAGE**  
**06** 6 VDC  
**12** 12 VDC  
**24** 24 VDC  
**36** 36 VDC  
**48** 48 VDC  
**25** 24 VAC  
**11** 115 VAC  
**22** 220 VAC  
**44** 440 VAC

**NO COIL ASSEMBLED ONTO VALVE**

If "L" coils will be used – leave blank  
 If "I" coils will be used – use "I"

**"L" COIL TERMINATION**  
 (All DC Except as Noted)

**DL** Double Lead  
**DT** Deutsch on Leads DT04-2P  
**ML** Metri-Pack on Leads  
**PL** Packard on Leads  
**WL** Weatherpack on Leads

**SS** Single Spade  
**DS** Double Spade  
**HC** DIN 43650 (Hirschman) – (AC & DC)  
**CL** Conduit Lead – (AC Only)  
**DI** Deutsch – Integral DT04-2P

**IMMERSION PROOF "L" TYPE**  
**IA** "I" Coil AMP Superseal - Integral  
**ID** "I" Coil Deutsch – Integral DT04-2P  
**IJ** "I" Coil AMP Jr. Timer - Integral  
**IM** "I" Coil Metri-Pack – Integral

Approximate Coil Weight: .68 lbs. (.31 kg.)

**WARNING:** the specifications/application data shown in our catalogs and data sheets are intended only as a general guide for the product described (herein). Any specific application should not be undertaken without independent study, evaluation, and testing for suitability.