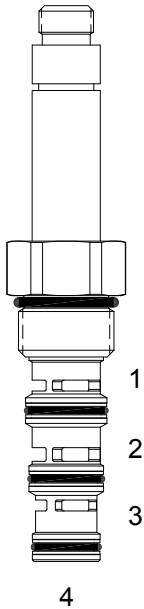


**HG-S4C DIRECT ACTING SPOOL, 4 WAY 2 POSITION, TANDEM CENTER**

**DESCRIPTION**

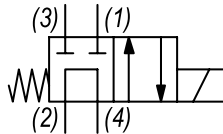
"High Pressure" 10 size, 7/8-14 thread, "Delta" series, solenoid operated, 4 way 2 position tandem center spool valve.

**OPERATION**

When de-energized the HG-S4C allows flow between (2) and (4) and blocks the flow at (1) and (3).  
When energized the valve allows flow from (2) to (3) and from (1) to (4).

**FEATURES**

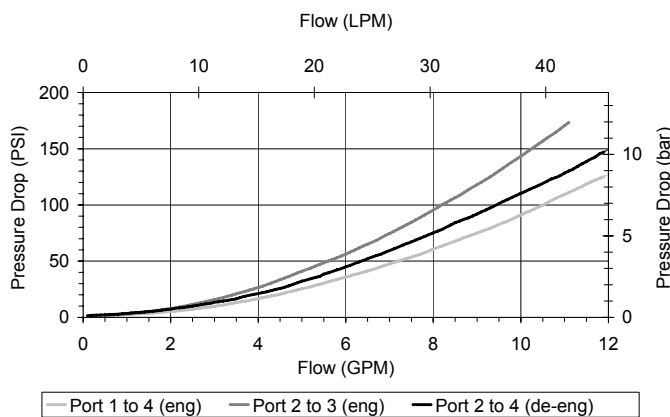
- Hardened parts for long life.
- Efficient wet-armature construction.
- Cartridges are voltage interchangeable.
- Industry common cavity.
- Unitized, molded coil design.
- Continuous duty rated solenoid.
- Optional coil voltages and terminations.
- Optional "I" Coil: Weatherproof, Thermal Shock, Immersion Safe.

**HYDRAULIC SYMBOL**


Uses "L" Coils.  
Pressure differential between ports should not exceed 3000 PSI.

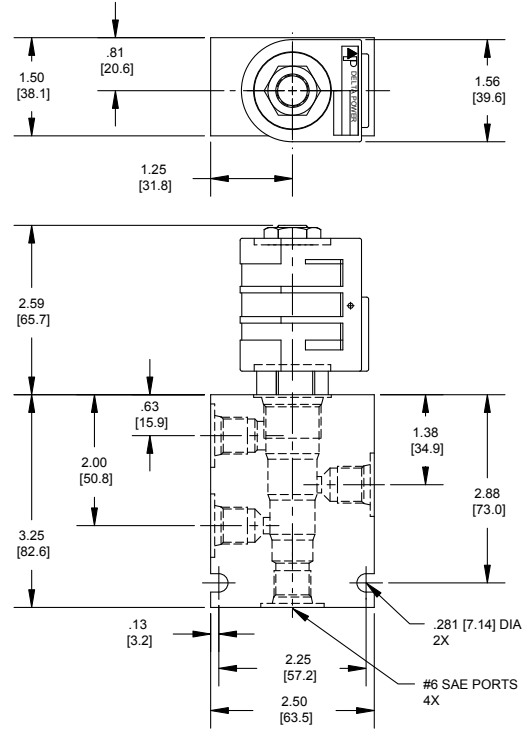
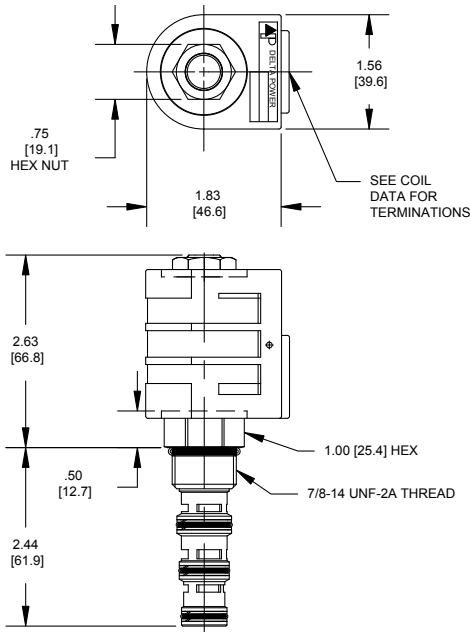
**PERFORMANCE**

Actual Test Data (Cartridge Only)


**VALVE SPECIFICATIONS**

Nominal Flow	8 GPM (30 LPM)
Rated Operating Pressure	4000 PSI (276 bar)
Typical Internal Leakage (150 SSU)	10 cu in/min (164 ml/min) per path
Viscosity Range	36 to 3000 SSU (3 to 647 cSt)
Filtration	ISO 18/16/13
Media Operating Temp. Range	-40° to 250°F (-40° to 120°C)
Weight	.43 lbs (.20 kg)
Operating Fluid Media	General Purpose Hydraulic Fluid
Cartridge Torque Requirements	30 ft-lbs (40.6 Nm)
Coil Nut Torque Requirements	4-6 ft-lbs (5.4-8.1 Nm)
Cavity	DELTA 4W
Cavity Tools Kit	
(form tool, reamer, tap)	40500002
Seal Kit	21191214

**DIMENSIONS**



BODY WEIGHT: .99 lbs (.45 kg)

**ORDERING INFORMATION**

**HG-S4C**

Approximate Coil Weight: .68 lbs (.31 kg)

- OPTIONS**
- Buna Standard **00**
  - Viton Standard **V0**

- BODIES**
- Blank Without Body
  - N** 1/4 NPTF Ports
  - S** #6 SAE Ports

**Note: Aluminum, NOT durability rated for 4000 PSI. Consult factory for body options.**

- VOLTAGE**
- 06** 6 VDC
  - 12** 12 VDC
  - 24** 24 VDC
  - 36** 36 VDC
  - 48** 48 VDC
  - 25** 24 VAC
  - 11** 120 VAC
  - 22** 220 VAC
  - 44** 440 VAC

**"L" COIL TERMINATION**  
(All DC Except as Noted)

- DL** Double Lead
- DT** Deutsch on Leads DT04-2P
- ML** Metri-Pack on Leads
- PL** Packard on Leads
- WL** Weatherpack on Leads

- SS** Single Spade
- DS** Double Spade
- HC** DIN 43650 (Hirschmann) - (AC&DC)
- CL** Conduit Lead - (AC Only)
- DI** Deutsch - Integral DT04-2P

**IMMERSION PROOF "L" TYPE**

- IA** "I" Coil AMP Superseal - Integral
- ID** "I" Coil Deutsch - Integral DT04-2P
- IJ** "I" Coil AMP Jr. Timer - Integral
- IM** "I" Coil Metri-Pack - Integral

**WARNING:** the specifications/application data shown in our catalogs and data sheets are intended only as a general guide for the product described (herein). Any specific application should not be undertaken without independent study, evaluation, and testing for suitability.