

HJ-S2A PILOT OPERATED POPPET, 2 WAY NORMALLY CLOSED
DESCRIPTION

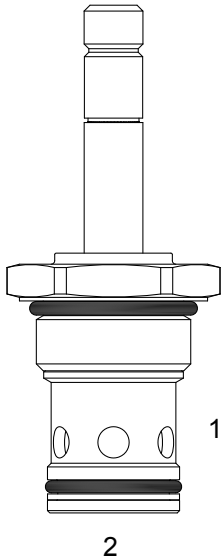
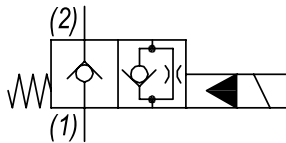
“High Pressure” 16 size, 1 5/16-12 thread, “SIXTEEN” series, solenoid operated, 2 way normally closed, pilot operated poppet valve with reverse flow de-energized.

OPERATION

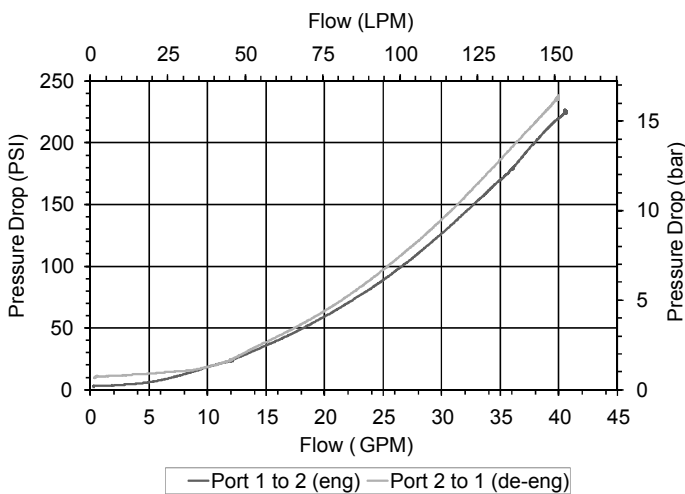
When de-energized the HJ-S2A blocks flow from (1) to (2) and allows reverse flow from (2) to (1). When energized the valve allows flow from (1) to (2) and restricted flow from (2) to (1).

FEATURES

- Hardened parts for long life.
- Efficient wet-armature construction.
- Cartridges are voltage interchangeable.
- Industry common cavity.
- Unitized, molded coil design.
- Continuous duty rated solenoid.
- Optional coil voltages and terminations.

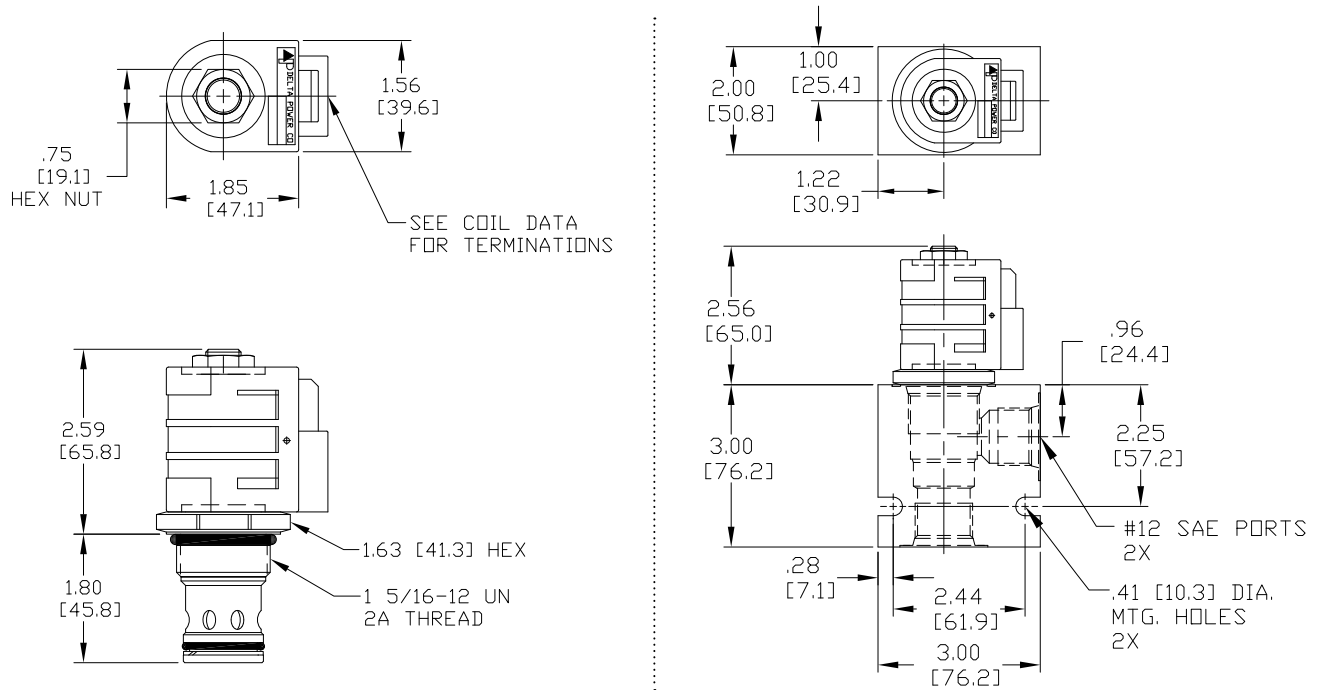

HYDRAULIC SYMBOL

PERFORMANCE

Actual Test Data (Cartridge Only)


VALVE SPECIFICATIONS

Nominal Flow	40 GPM (151 LPM)
Rated Operating Pressure	4350 PSI (300 bar)
Typical Internal Leakage (150 SSU)	0-10 drops/min
Viscosity Range	36 to 3000 SSU (3 to 647 cSt)
Filtration	ISO 18/16/13
Media Operating Temp. Range	-40° to 250°F (-40° to 120°C)
Weight	.72 lbs (.32 kg)
Operating Fluid Media	General Purpose Hydraulic Fluid
Cartridge Torque Requirements	115 ft-lbs (156 Nm)
Coil Nut Torque Requirements	4-6 ft-lbs (5.4-8.1 Nm)
Cavity	SIXTEEN 2W
Cavity Tools Kit	
(form tool, reamer, tap)	40500017
Seal Kit	21191400

WARNING: the specifications/application data shown in our catalogs and data sheets are intended only as a general guide for the product described (herein). Any specific application should not be undertaken without independent study, evaluation, and testing for suitability.

DIMENSIONS

ORDERING INFORMATION
Approximate Coil Weight: .74 lbs (.33 kg)

HJ-S2A - - - -		
OPTIONS		BODIES
Buna Standard	00	Blank Without Body
Viton Standard	V0	N 3/4 NPT Ports
		S #12 SAE Ports
		VOLTAGE
		06 6 VDC
		12 12 VDC
		24 24 VDC
		36 36 VDC
		48 48 VDC
		25 24 VAC
		11 120 VAC
		22 220 VAC
		44 440 VAC

Note: Aluminum, NOT durability rated for 4350 PSI. Consult factory for body options.

"D" COIL TERMINATION
(All DC Except as Noted)

- | | |
|------------------------------------|--|
| DL Double Lead | SS Single Spade |
| DT Deutsch on Leads DT04-2P | DS Double Spade |
| ML Metri-Pack on Leads | HC DIN 43650 (Hirschmann) - (AC&DC) |
| PL Packard on Leads | CL Conduit Lead - (AC Only) |
| WL Weatherpack on Leads | DI Deutsch - Integral DT04-2P |