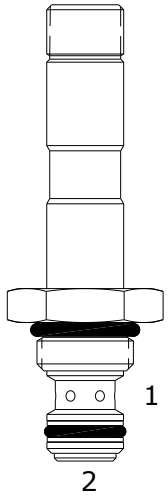


HMA-S2H DIRECT ACTING SPOOL, 2 WAY, NORMALLY OPEN

DESCRIPTION

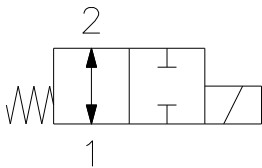
"High Pressure" 7 size, 5/8-18 thread, "Mini" series, solenoid operated, 2 way normally open, spool valve.

OPERATION

When de-energized the HMA-S2H allows flow from (1) to (2) and (2) to (1). When energized, the valve blocks flow from (1) to (2) and (2) to (1).

FEATURES

- Hardened parts for long life.
- Efficient wet-armature construction.
- Cartridges are voltage interchangeable.
- Industry common cavity.
- Unitized, molded coil design.
- Continuous duty rated solenoid.
- Optional coil voltages and terminations.

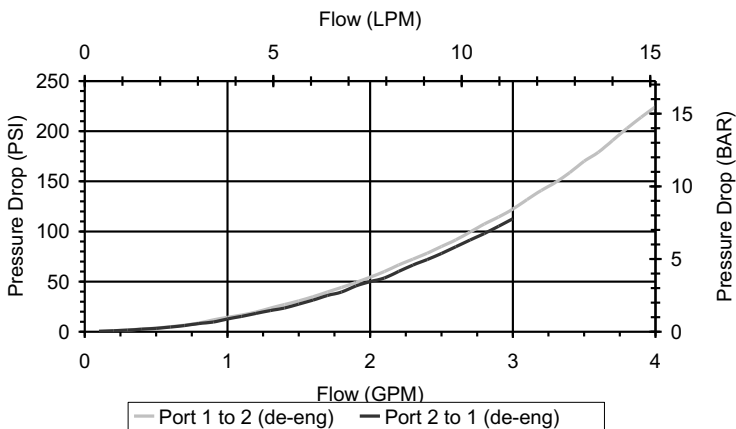
HYDRAULIC SYMBOL


Uses "P" or "PI" type coils.

Do not use orifice disk under cartridge valve.

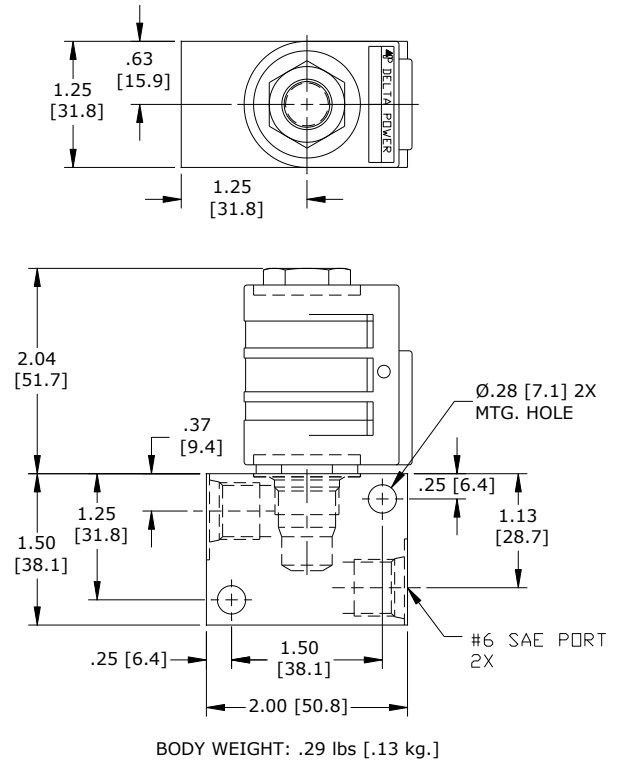
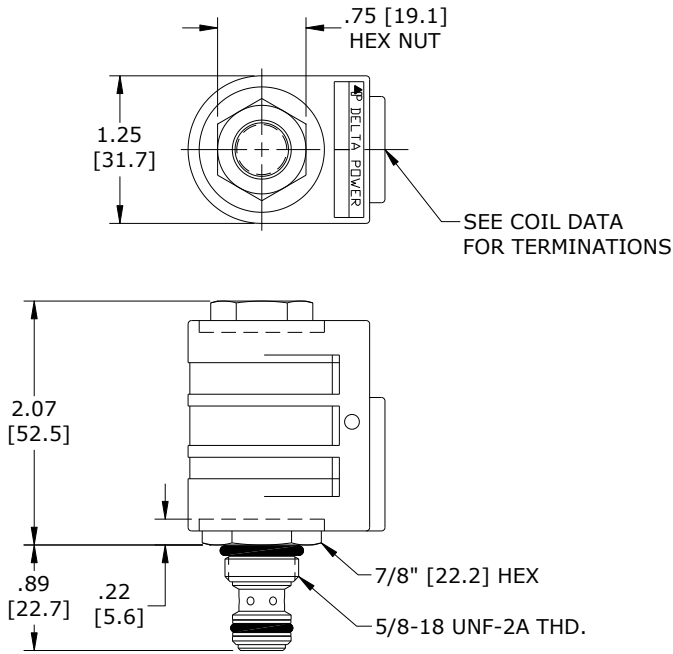
PERFORMANCE

Actual Test Data (Cartridge Only)


VALVE SPECIFICATIONS

Nominal Flow	1 GPM (4 LPM)
Rated Operating Pressure	4200 PSI (290 bar)
Typical Internal Leakage (150 SSU)	8 cu in/min (131 ml/min)
Viscosity Range	36 to 3000 SSU (3 to 647 cSt)
Filtration	ISO 18/16/13
Media Operating Temperature Range	-40° to 250° F (-40° to 120° C)
Weight	0.12 lbs. (0.05 kg)
Operating Fluid Media	General Purpose Hydraulic Fluid
Cartridge Torque Requirements	15 ft-lbs (20.3 Nm)
Coil Nut Torque Requirements	4-6 ft-lbs (5.4-8.1 Nm)
Cavity	MINI 2W
Cavity Form Tool (Finishing)	40500003
Seal Kit	21191002

DIMENSIONS



ORDERING INFORMATION

HMA-S2H

- OPTIONS**
 Buna Standard **00**
 Viton Standard **V0**
 Buna, Screen **A0**
 Viton, Screen **W0**

- BODIES**
 Without Body **Blank**
 1/4 NPTF Ports **N**
 #6 SAE Ports **S**

Note: Aluminum **NOT** durability rated for 4200 PSI. Consult factory for options.

Note: Use screen only if flow direction is from (1) to (2)

- VOLTAGE**
06 6 VDC
12 12 VDC
24 24 VDC
36 36 VDC
48 48 VDC
25 24 VAC
11 115 VAC
22 220 VAC
44 440 VAC

"P" COIL TERMINATION
 (All DC Except as Noted)

- DL** Double Lead
DT Deutsch on Leads DT04-2P
ML Metri-Pack on Leads
PL Packard on Leads
WL Weatherpack on Leads

- SS** Single Spade
DS Double Spade
HC DIN 43650 (Hirschman) – (AC & DC)
CL Conduit Lead – (AC Only)
DI Deutsch – Integral DT04-2P

- IMMERSION PROOF "P" TYPE**
IA "I" Coil AMP Superseal - integral
ID "I" Coil Deutsch – Integral DT04-2P
IJ "I" Coil AMP Jr. Timer – Integral
IM "I" Coil Metri-Pack - Integral

Approximate Coil Weight: .30 lbs/.14 kg.

WARNING: the specifications/application data shown in our catalogs and data sheets are intended only as a general guide for the product described (herein). Any specific application should not be undertaken without independent study, evaluation, and testing for suitability.