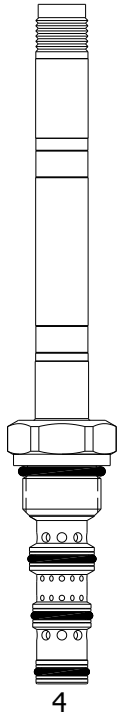


HPQ-S40 DIRECT ACTING SPOOL, 4 WAY 3 POSITION, OPEN CENTER



DESCRIPTION

“High Pressure” 8 size, 3/4-16 thread, “Power” series, solenoid operated, 4W3P, open center spool valve.

OPERATION

When de-energized the HPQ-S40 allows flow to all ports, and pressures are relieved. When top coil is energized the valve allows flow from (2) to (3) and from (1) to (4). When bottom coil is energized the valve allows flow from (2) to (1) and from (3) to (4).

FEATURES

- Hardened parts for long life.
- Efficient wet-armature construction.
- Cartridges are voltage interchangeable.
- Industry common cavity.
- Unitized, molded coil design.
- Continuous duty rated solenoid.
- Optional coil voltages and terminations.
- Optional “I” Coil: Weatherproof, Thermal Shock, Immersion Safe.

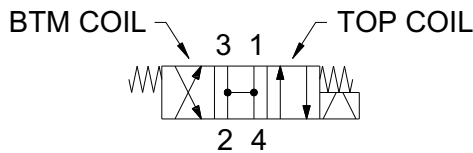


Note: Coil locations/flow paths per European convention.

VALVE SPECIFICATIONS

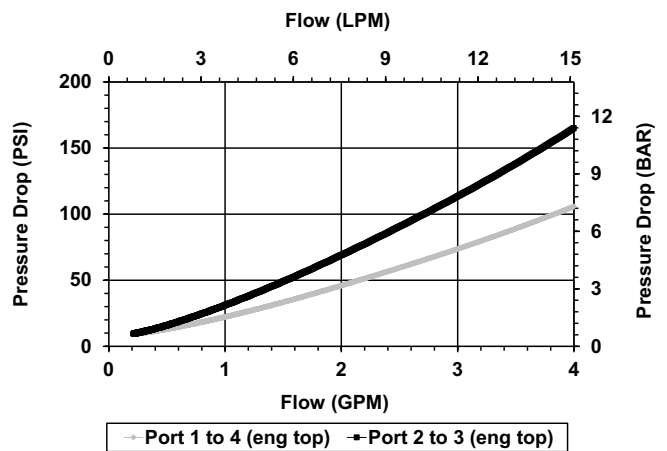
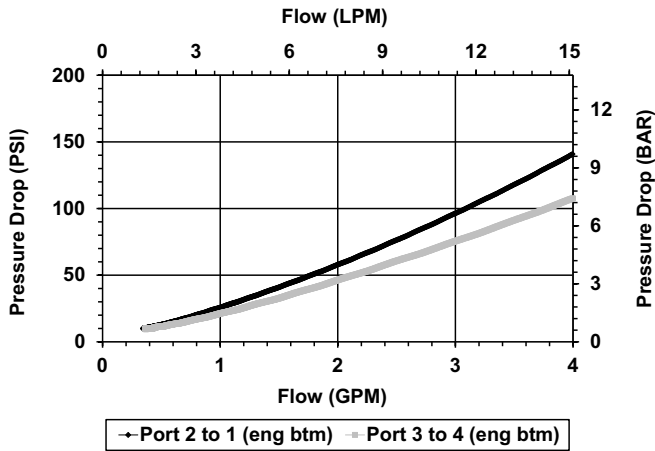
Nominal Flow	3.0 GPM (11.3 LPM)
Rated Operating Pressure	4200 PSI (290 bar)
Typical Internal Leakage (150 SSU)	10 cu in/min (163 ml/min) per path
Viscosity Range	36 to 3000 SSU (3 to 647 cSt)
Filtration	ISO 18/16/13
Media Operating Temperature Range	-40° to 250° F (-40° to 120° C)
Weight	0.42 lbs. (0.19 kg)
Operating Fluid Media	General Purpose Hydraulic Fluid
Cartridge Torque Requirements	30 ft-lbs (40.6 Nm)
Coil Nut Torque Requirements	4-6 ft-lbs (5.4-8.1 Nm)
Cavity	POWER 4W
Cavity Form Tool (Finishing)	40500029
Seal Kit	21191108

HYDRAULIC SYMBOL



PERFORMANCE

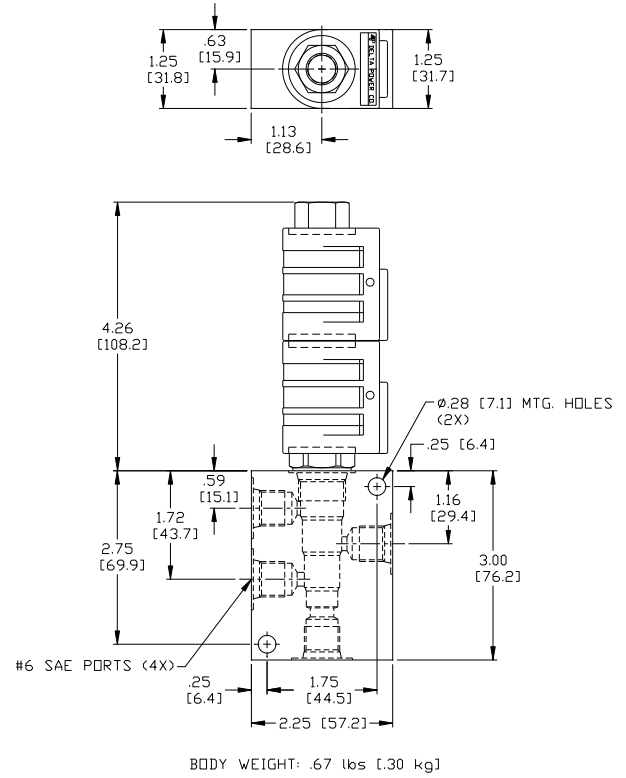
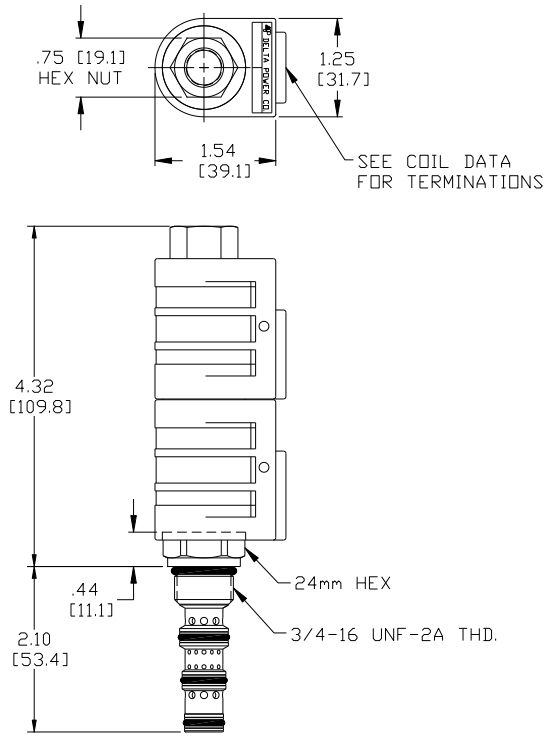
Actual Test Data (Cartridge Only)



W51/2-2023

WARNING: the specifications/application data shown in our catalogs and data sheets are intended only as a general guide for the product described (herein). Any specific application should not be undertaken without independent study, evaluation, and testing for suitability.

DIMENSIONS



ORDERING INFORMATION

HPQ-S40

OPTIONS
 Buna Standard **00**
 Viton Standard **V0**

BODIES
 Without Body **N**
 1/4 NPTF Ports **S**
 #6 SAE Ports

Note: Aluminum **NOT** durability rated for 4200 PSI. Consult factory for body options.

VOLTAGE
06 6 VDC
12 12 VDC
24 24 VDC
36 36 VDC
48 48 VDC
25 24 VAC
11 115 VAC
22 220 VAC
44 440 VAC

"P" COIL TERMINATION
 (All DC Except as Noted)

DL Double Lead
DT Deutsch on Leads DT04-2P
ML Metri-Pack on Leads
PL Packard on Leads
WL Weatherpack on Leads

SS Single Spade
DS Double Spade
HC DIN 43650 (Hirschman) – (AC & DC)
CL Conduit Lead – (AC Only)
DI Deutsch – Integral DT04-2P

IMMERSION PROOF "P" TYPE
IA "I" Coil AMP Superseal - Integral
ID "I" Coil Deutsch – Integral DT04-2P
IJ "I" Coil AMP Jr. Timer - Integral
IM "I" Coil Metri-Pack – Integral

Approximate Coil Weight: .42 lbs. (.19 kg.)

WARNING: the specifications/application data shown in our catalogs and data sheets are intended only as a general guide for the product described (herein). Any specific application should not be undertaken without independent study, evaluation, and testing for suitability.