

HSJ-S2C PILOT OPERATED POPPET, 2 WAY NORMALLY OPEN
DESCRIPTION

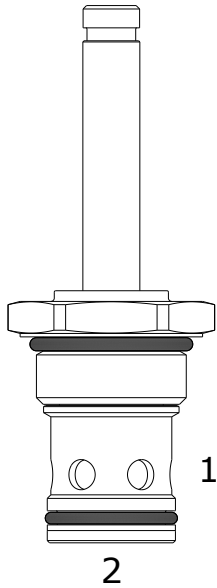
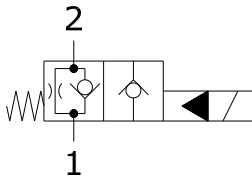
"High Pressure" 16 size, 1 5/16-12 thread, "Sixteen" series, solenoid operated, 2 way normally open, pilot operated poppet valve with free reverse flow energized.

OPERATION

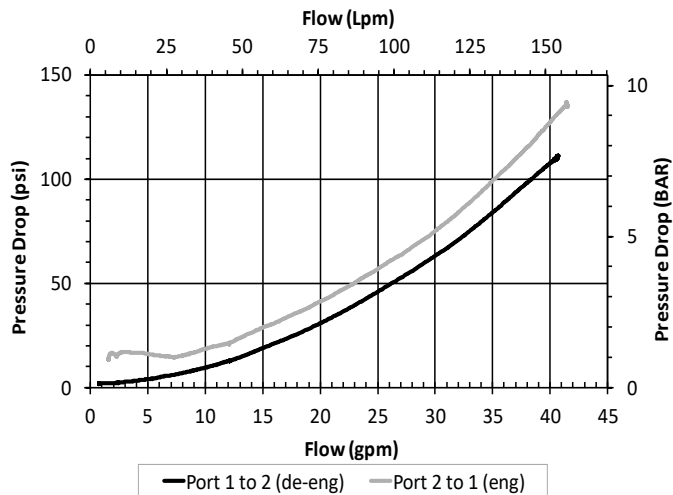
When de-energized the HSJ-S2C allows flow to pass from (1) to (2), but restricts flow from (2) to (1). When energized the valve blocks flow from (1) to (2) but allows free reverse flow from (2) to (1).

FEATURES

- Hardened parts for long life.
- Efficient wet-armature construction.
- Cartridges are voltage interchangeable.
- Industry common cavity.
- Unitized, molded coil design.
- Continuous duty rated solenoid.
- Optional coil voltages and terminations.

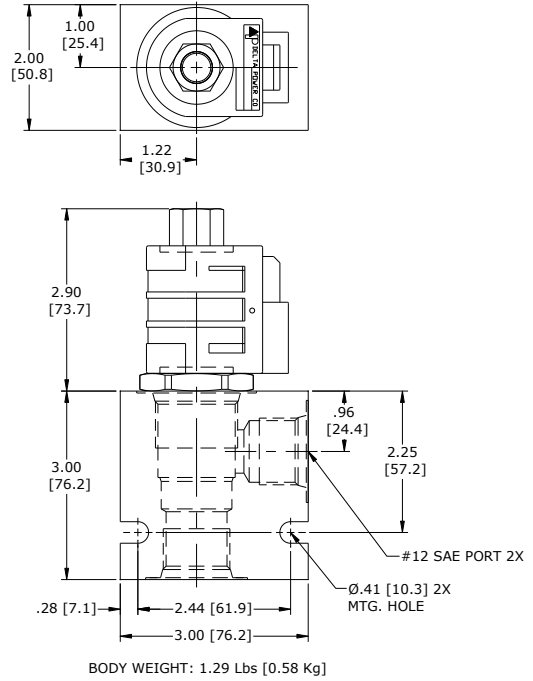
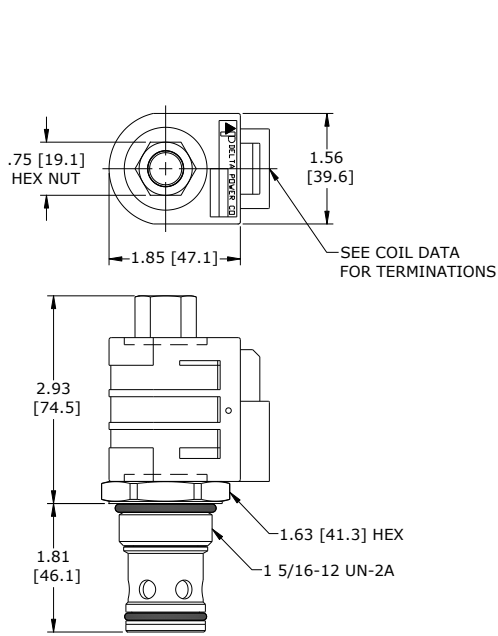

HYDRAULIC SYMBOL

PERFORMANCE

Actual Test Data (Cartridges Only)


VALVE SPECIFICATIONS

Nominal Flow	40 GPM (151 LPM)
Rated Operating Pressure	4200 PSI (290 bar)
Typical Internal Leakage (150 SSU)	0-10 drops/min
Viscosity Range	36 to 3000 SSU (3 to 647 cSt)
Filtration	ISO 18/16/13
Media Operating Temperature Range	-40° to 250° F (-40° to 120° C)
Weight	0.74 lbs. (0.33 kg)
Operating Fluid Media	General Purpose Hydraulic Fluid
Cartridge Torque Requirements	115 ft-lbs (156 Nm)
Coil Nut Torque Requirements	4-6 ft-lbs (5.4-8.1 Nm)
Cavity	SIXTEEN 2W
Cavity Form Tool (Finishing)	40500017
Seal Kit	21191400

DIMENSIONS



ORDERING INFORMATION

HSJ-S2C - - - -

OPTIONS
 Buna Standard **00**
 Viton Standard **V0**

Blank
N Without Body
S 3/4 NPTF Ports
S #12 SAE Ports

VOLTAGE
06 6 VDC
12 12 VDC
24 24 VDC
36 36 VDC
48 48 VDC
25 24 VAC
11 115 VAC
22 220 VAC
44 440 VAC

Note: Aluminum **NOT** durability rated for 4200 PSI. Consult factory for options.

“D” COIL TERMINATION
 (All DC Except as Noted)

- | | |
|------------------------------------|--|
| DL Double Lead | SS Single Spade |
| DT Deutsch on Leads DT04—2P | DS Double Spade |
| ML Metri-Pack on Leads | HC Din 43650 (Hirschmann) – (AC & DC) |
| PL Packard on Leads | CL Conduit Lead – (AC Only) |
| WL Weatherpack on Leads | DI Deutsch – Integral DT04—2P |

Approximate Coil Weight: .74 lbs/.33 kg.

WARNING: the specifications/application data shown in our catalogs and data sheets are intended only as a general guide for the product described (herein). Any specific application should not be undertaken without independent study, evaluation, and testing for suitability.