

HSJ-S2D PILOT OPERATED POPPET, 2 WAY NORMALLY OPEN
DESCRIPTION

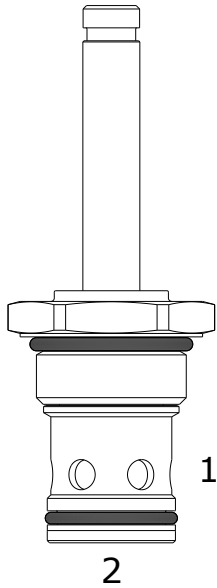
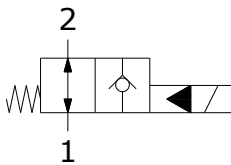
"High Pressure" 16 size, 1 5/16-12 thread, "Sixteen" series, solenoid operated, 2 way normally open, pilot operated poppet valve with free reverse flow energized and de-energized.

OPERATION

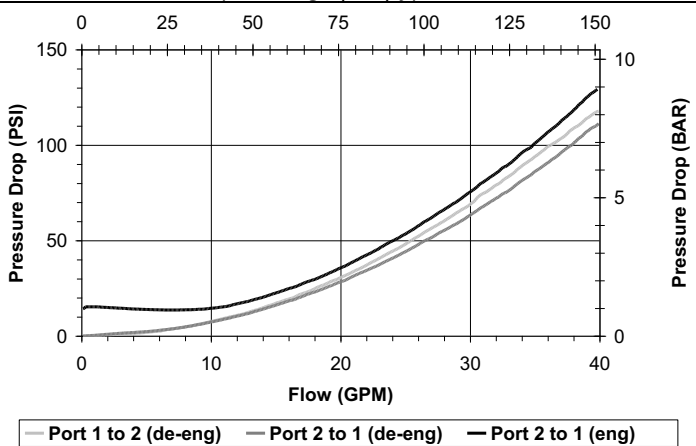
When de-energized the HSJ-S2D allows flow to pass from (1) to (2), but restricts flow from (2) to (1). When energized the valve blocks flow from (1) to (2) but allows free reverse flow from (2) to (1).

FEATURES

- Hardened parts for long life.
- Efficient wet-armature construction.
- Cartridges are voltage interchangeable.
- Industry common cavity.
- Unitized, molded coil design.
- Continuous duty rated solenoid.
- Optional coil voltages and terminations.

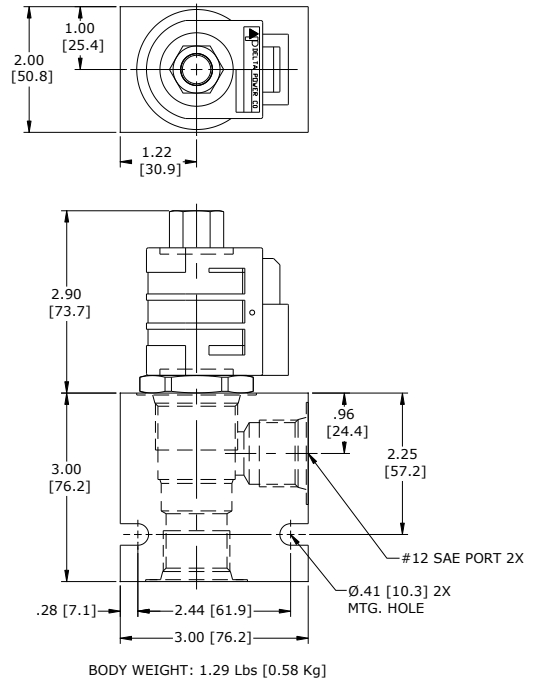
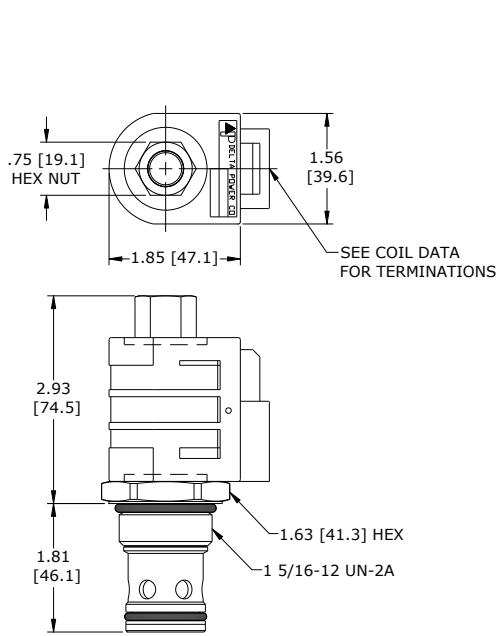

HYDRAULIC SYMBOL

PERFORMANCE

Actual Test Data (Cartridges Only)


VALVE SPECIFICATIONS

Nominal Flow	40 GPM (151 LPM)
Rated Operating Pressure	4200 PSI (290 bar)
Typical Internal Leakage (150 SSU)	0-10 drops/min
Viscosity Range	36 to 3000 SSU (3 to 647 cSt)
Filtration	ISO 18/16/13
Media Operating Temperature Range	-40° to 250° F (-40° to 120° C)
Weight	0.74 lbs. (0.33 kg)
Operating Fluid Media	General Purpose Hydraulic Fluid
Cartridge Torque Requirements	115 ft-lbs (156 Nm)
Coil Nut Torque Requirements	4-6 ft-lbs (5.4-8.1 Nm)
Cavity	SIXTEEN 2W
Cavity Form Tool (Finishing)	40500017
Seal Kit	21191400

DIMENSIONS



ORDERING INFORMATION

HSJ-S2D - - - -

OPTIONS
 Buna Standard **00**
 Viton Standard **V0**

Blank
N Without Body
S 3/4 NPTF Ports
S #12 SAE Ports

VOLTAGE
06 6 VDC
12 12 VDC
24 24 VDC
36 36 VDC
48 48 VDC
25 24 VAC
11 115 VAC
22 220 VAC
44 440 VAC

“D” COIL TERMINATION
 (All DC Except as Noted)

DL Double Lead
DT Deutsch on Leads DT04—2P
ML Metri-Pack on Leads
PL Packard on Leads
WL Weatherpack on Leads

SS Single Spade
DS Double Spade
HC Din 43650 (Hirschmann) – (AC & DC)
CL Conduit Lead – (AC Only)
DI Deutsch – Integral DT04—2P

Note: Aluminum **NOT** durability rated for 4200 PSI. Consult factory for options.

Approximate Coil Weight: .74 lbs/.33 kg.

WARNING: the specifications/application data shown in our catalogs and data sheets are intended only as a general guide for the product described (herein). Any specific application should not be undertaken without independent study, evaluation, and testing for suitability.