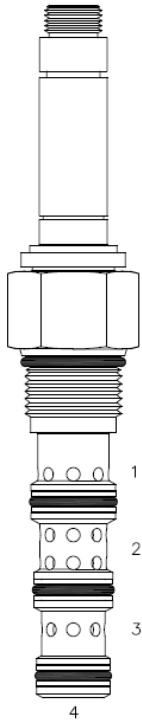


HTV-S4A DIRECT ACTING SPOOL, 4 WAY 2 POSITION, HIGH PRESSURE, CRISS CROSS

DESCRIPTION

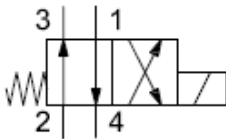
"High Pressure" 12 size, 1 1/16-12 thread, "Twelve" series, solenoid operated, 4 way 2 position, Criss Cross side flow spool valve.

OPERATION

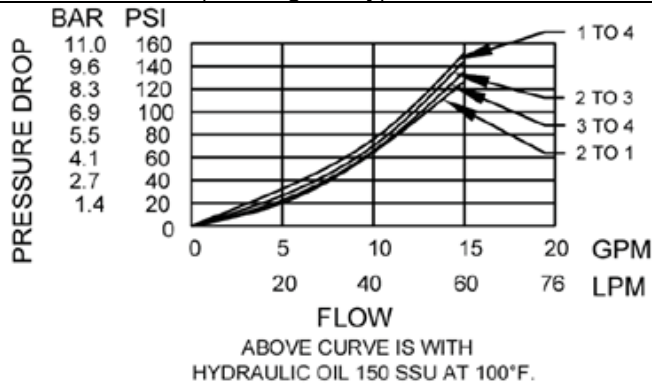
When de-energized the HTV-S4A allows flow from (1) to (4) and from (2) to (3). When energized the valve allows flow from (2) to (1) and from (3) to (4).

FEATURES

- Hardened parts for long life.
- Efficient wet-armature construction.
- Cartridges are voltage interchangeable.
- Industry common cavity.
- Unitized, molded coil design.
- Continuous duty rated solenoid.
- Optional coil voltages and terminations.
- Optional "I" Coil: Weatherproof, Thermal Shock, Immersion Safe

HYDRAULIC SYMBOL

PERFORMANCE

Actual Test Data (Cartridge Only)

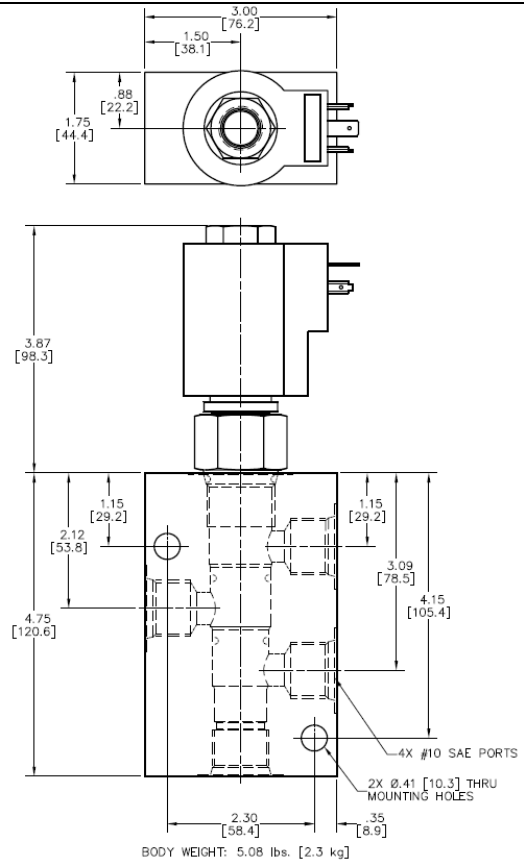
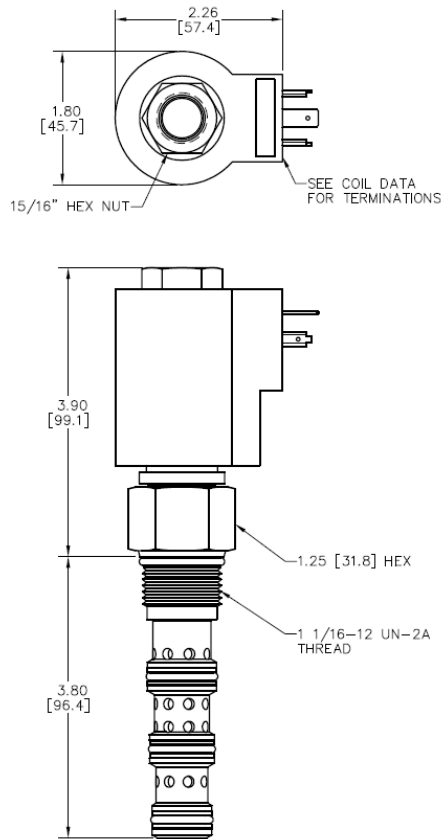


PORTING OPTIONS	FLOW (GPM)	FLOW (LPM)
2	15	56.7
4	8	30

VALVE SPECIFICATIONS

Nominal Flow	15 GPM (57 LPM)
Rated Operating Pressure	5000 PSI (345 bar)
Typical Internal Leakage (150 SSU)	15 cu in/min (246 ml/min) per path
Viscosity Range	36 to 3000 SSU (3 to 647 cSt)
Filtration	ISO 18/16/13
Media Operating Temperature Range	-40° to 250° F (-40° to 120° C)
Weight	1.07 lbs. (0.48 kg)
Operating Fluid Media	General Purpose Hydraulic Fluid
Cartridge Torque Requirements	90 ft-lbs (122 Nm)
Coil Nut Torque Requirements	5-7 ft-lbs (6.8-9.5 Nm)
Cavity	TWELVE 4W
Cavity Form Tool (Finishing)	40500035
Seal Kit	21191309

DIMENSIONS



ORDERING INFORMATION

HTV-S4A

OPTIONS

Buna Standard **00**
 Viton Standard **V0**

BODIES

Blank **S**
 #10 SAE Ports

“T” COIL TERMINATION

(All DC Except as Noted)

Double Lead **DL**
 Deutsch on Leads **DT**
 Metri-Pack on Leads **ML**
 Packard on Leads **PL**
 Weatherpak on Leads **WL**
 Double Spade **DS**
 DIN 43650 (Hirschman) – (AC/DC) **HC**

IMMERSION PROOF “T” TYPE

“I” Coil AMP Superseal - Integral **IA**
 “I” Coil Deutsch – Integral DT04-2P **ID**

VOLTAGE

06 6 VDC
12 12 VDC
24 24 VDC
36 36 VDC
48 48 VDC
25 24 VAC
11 120 VAC
22 220 VAC

Approximate Coil Weight: .89 lbs/.41 kg.

WARNING: the specifications/application data shown in our catalogs and data sheets are intended only as a general guide for the product described (herein). Any specific application should not be undertaken without independent study, evaluation, and testing for suitability.