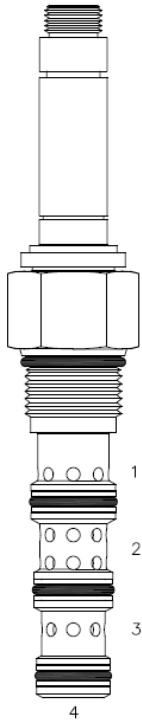


HTV-S4E DIRECT ACTING SPOOL, 4 WAY 2 POSITION, HIGH PRESSURE, SERIES/PARALLEL

DESCRIPTION

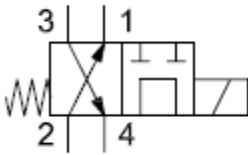
"High Pressure" 12 size, 1 1/16-12 thread, "Twelve" series, solenoid operated, 4 way 2 position, series/parallel flow spool valve.

OPERATION

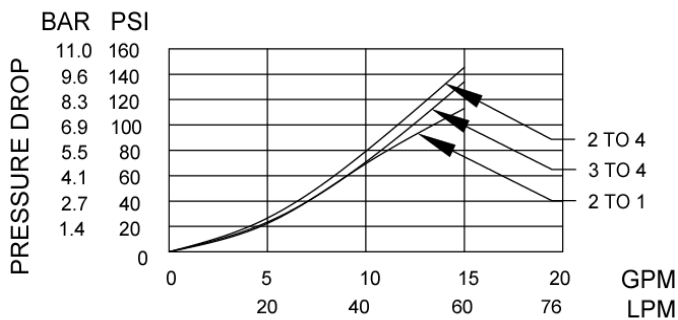
When de-energized the HTV-S4E allows flow from (2) to (1) and from (3) to (4). When energized the valve allows flow from (2) to (4) and blocks flow at (1) to (3).

FEATURES

- Hardened parts for long life.
- Efficient wet-armature construction.
- Cartridges are voltage interchangeable.
- Industry common cavity.
- Unitized, molded coil design.
- Continuous duty rated solenoid.
- Optional coil voltages and terminations.
- Optional "I" Coil: Weatherproof, Thermal Shock, Immersion Safe

HYDRAULIC SYMBOL

PERFORMANCE

Actual Test Data (Cartridge Only)



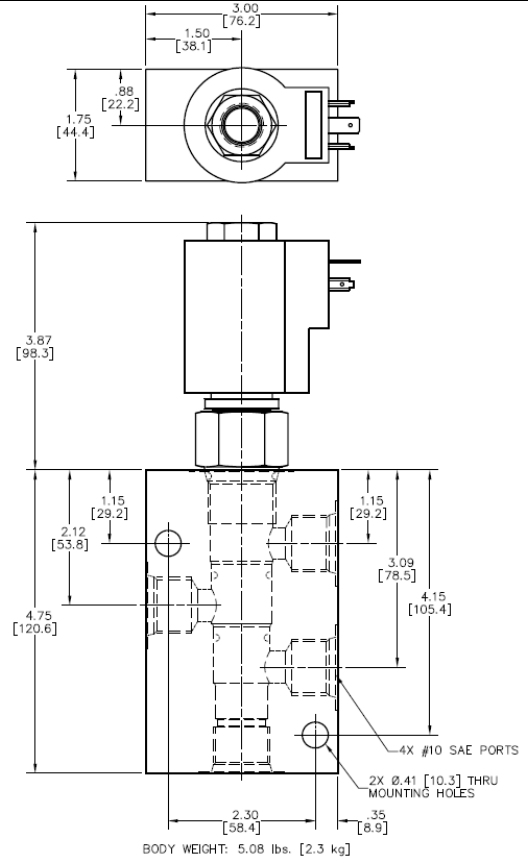
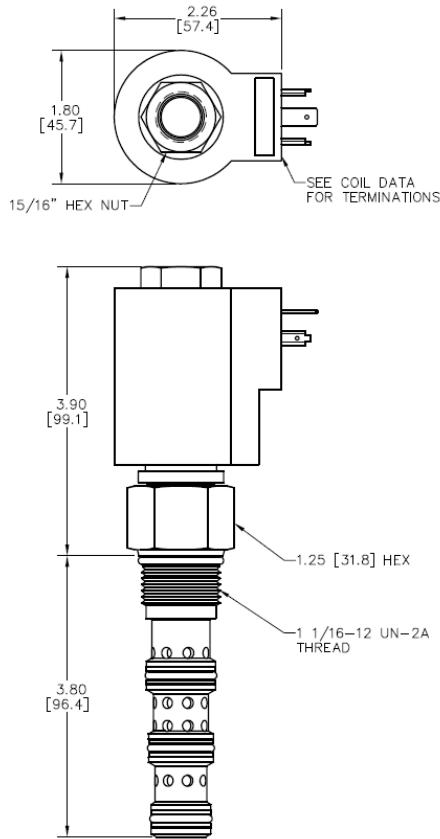
ABOVE CURVE IS WITH
HYDRAULIC OIL 150 SSU AT 100°F.

PORTING OPTIONS	FLOW (GPM)	FLOW (LPM)
2	15	56.7
4	8	30

VALVE SPECIFICATIONS

Nominal Flow	15 GPM (57 LPM)
Rated Operating Pressure	5000 PSI (345 bar)
Typical Internal Leakage (150 SSU)	15 cu in/min (246 ml/min) per path
Viscosity Range	36 to 3000 SSU (3 to 647 cSt)
Filtration	ISO 18/16/13
Media Operating Temperature Range	-40° to 250° F (-40° to 120° C)
Weight	1.07 lbs. (0.48 kg)
Operating Fluid Media	General Purpose Hydraulic Fluid
Cartridge Torque Requirements	90 ft-lbs (122 Nm)
Coil Nut Torque Requirements	5-7 ft-lbs (6.8-9.5 Nm)
Cavity	TWELVE 4W
Cavity Form Tool (Finishing)	40500035
Seal Kit	21191309

DIMENSIONS



ORDERING INFORMATION

HTV-S4E

OPTIONS
Buna Standard **00**
Viton Standard **V0**

BODIES
Blank **S**
Without Body
#10 SAE Ports

VOLTAGE

06 6 VDC
12 12 VDC
24 24 VDC
36 36 VDC
48 48 VDC
25 24 VAC
11 120 VAC
22 220 VAC

"T" COIL TERMINATION

(All DC Except as Noted)

Double Lead **DL**
Deutsch on Leads **DT**
Metri-Pack on Leads **ML**
Packard on Leads **PL**
Weatherpak on Leads **WL**
Double Spade **DS**
DIN 43650 (Hirschman) – (AC/DC) **HC**

IMMERSION PROOF "T" TYPE

IA "I" Coil AMP Superseal - Integral
ID "I" Coil Deutsch – Integral DT04-2P

Approximate Coil Weight: .89 lbs./41 kg.

WARNING: the specifications/application data shown in our catalogs and data sheets are intended only as a general guide for the product described (herein). Any specific application should not be undertaken without independent study, evaluation, and testing for suitability.