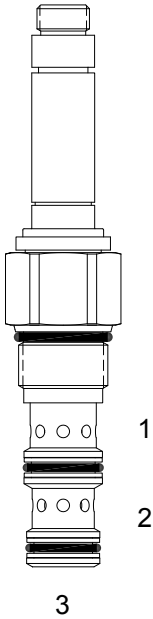


**HU-S3F DIRECT ACTING SPOOL, 3 WAY 2 POSITION, HIGH PRESSURE**

**DESCRIPTION**

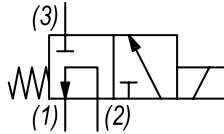
12 size, 1 1/16-12 thread, "TWELVE" series, solenoid operated, 3 way 2 position, spool valve.

**OPERATION**

When de-energized the HU-S3F allows flow from (2) to (1) and blocks flow at port (3). When energized the valve allows flow from (2) to (3) and blocks flow at port (1).

**FEATURES**

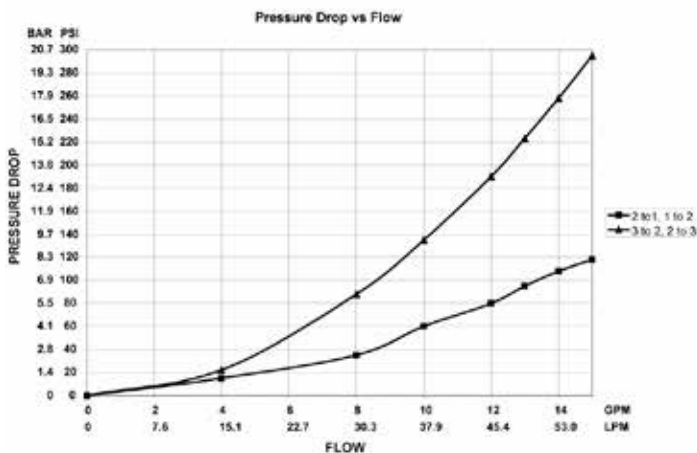
- Hardened parts for long life.
- Efficient wet-armature construction.
- Cartridges are voltage interchangeable.
- Industry common cavity.
- Unitized, molded coil design.
- Continuous duty rated solenoid.
- Optional coil voltages and terminations.

**HYDRAULIC SYMBOL**


*Recommended usage is inlet at port (1) or (2).  
See HU-S3E for port (3) inlet.*

**PERFORMANCE**

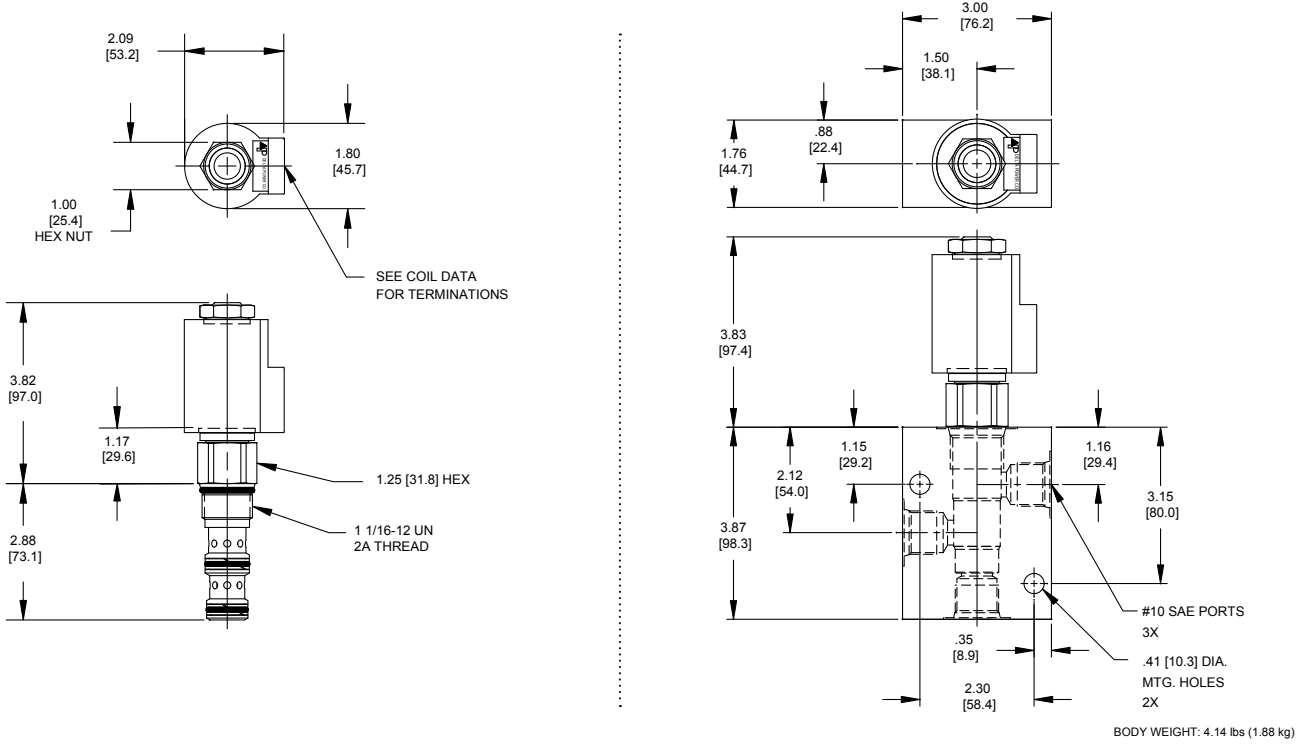
Actual Test Data (Cartridge Only)


**VALVE SPECIFICATIONS**

Nominal Flow	15 GPM (57 LPM)
Rated Operating Pressure	5000 PSI (345 bar)
Typical Internal Leakage (150 SSU)	8 cu in/min @ 3000 PSI
Viscosity Range	36 to 3000 SSU (3 to 647 cSt)
Filtration	ISO 18/16/13
Media Operating Temp. Range	-40° to 250°F (-40° to 120°C)
Weight	1.01 lbs (.46 kg)
Operating Fluid Media	General Purpose Hydraulic Fluid
Cartridge Torque Requirements	70 ft-lbs (94.9 Nm)
Coil Nut Torque Requirements	5-7 ft-lbs (6.8-9.5 Nm) Maximum
Cavity	TWELVE 3W
Cavity Tools Kit	
(form tool, reamer, tap)	40500034
Seal Kit	21191305

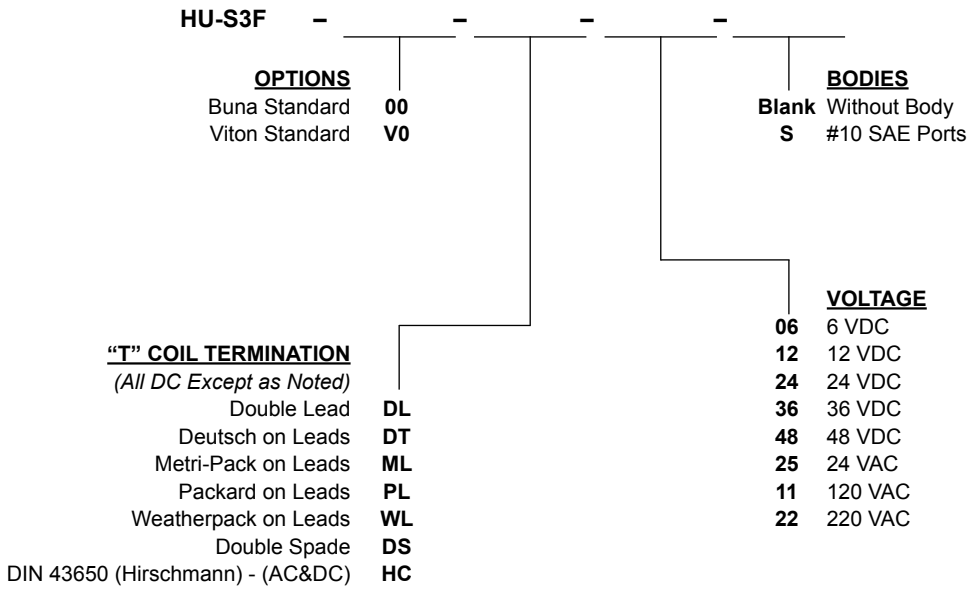
**WARNING:** the specifications/application data shown in our catalogs and data sheets are intended only as a general guide for the product described (herein). Any specific application should not be undertaken without independent study, evaluation, and testing for suitability.

**DIMENSIONS**



**ORDERING INFORMATION**

Approximate Coil Weight: .89 lbs (.41 kg)



**WARNING:** the specifications/application data shown in our catalogs and data sheets are intended only as a general guide for the product described (herein). Any specific application should not be undertaken without independent study, evaluation, and testing for suitability.