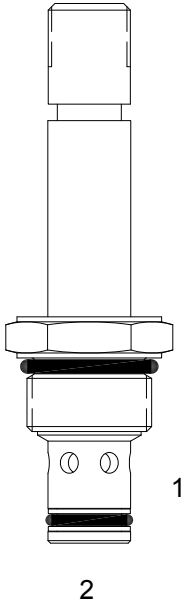


PB-S2G DIRECT ACTING SPOOL, 2 WAY NORMALLY CLOSED

DESCRIPTION

8 size, 3/4-16 thread, "Power" series, solenoid operated, 2 way normally closed, spool valve.

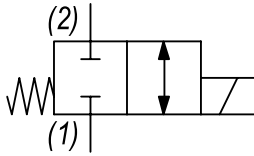
OPERATION

When de-energized the PB-S2G blocks flow from (1) to (2) and (2) to (1). When energized the valve allows flow from (1) to (2) and (2) to (1).

OPERATION OF MANUAL OVERRIDE OPTION: to override, pull knob out. On the detented version, after pulling knob out twist 180 degrees and release. The valve will remain in that position.

FEATURES

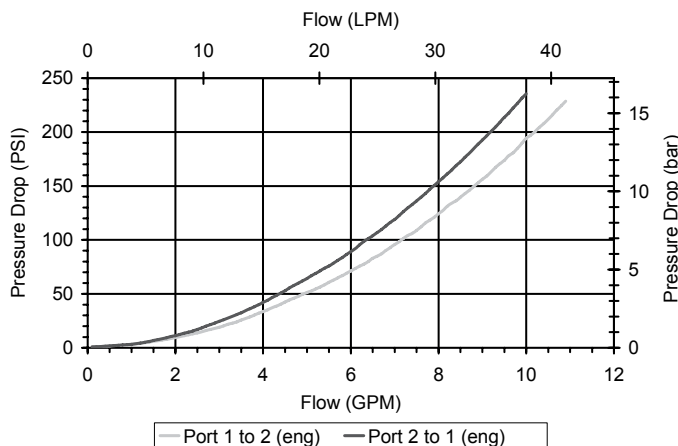
- Hardened parts for long life.
- Efficient wet-armature construction.
- Cartridges are voltage interchangeable.
- Manual override option.
- Industry common cavity.
- Unitized, molded coil design.
- Continuous duty rated solenoid.
- Optional coil voltages and terminations.
- Optional "I" Coil: Weatherproof, Thermal Shock, Immersion Safe.

HYDRAULIC SYMBOL


Operational shift limit in (2) to (1) direction is 4 GPM (15 LPM). For shifted flow performance consult chart.

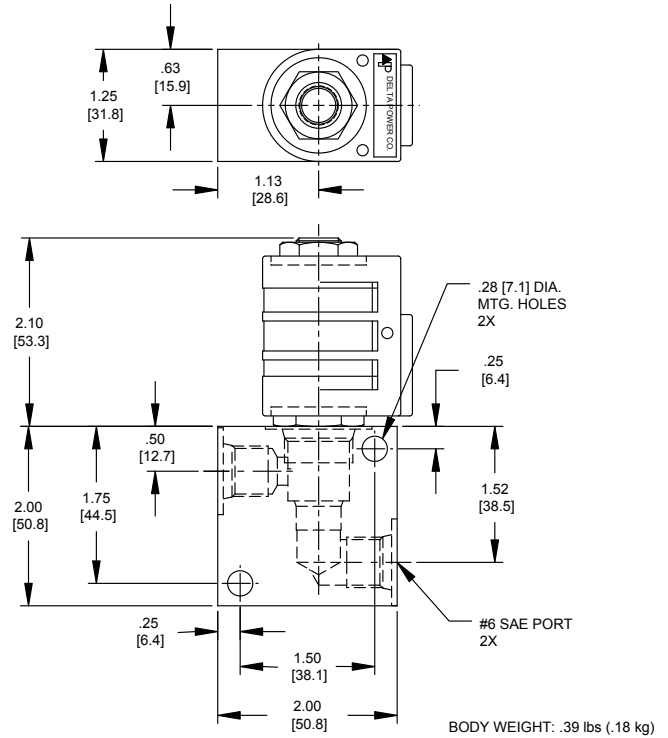
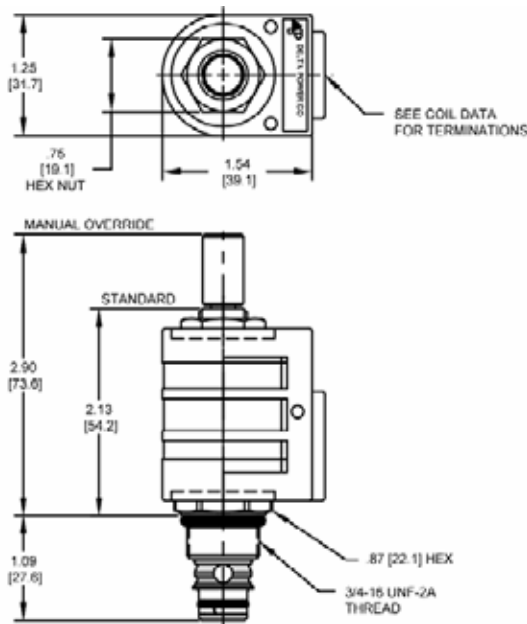
PERFORMANCE

Actual Test Data (Cartridge Only)


VALVE SPECIFICATIONS

Nominal Flow	8 GPM (30 LPM) from (1) to (2) 4 GPM (15 LPM) from (2) to (1)
Rated Operating Pressure	3000 PSI (207 bar)
Typical Internal Leakage (150 SSU)	5 cu in/min (82 ml/min)
Viscosity Range	36 to 3000 SSU (3 to 647 cSt)
Filtration	ISO 18/16/13
Media Operating Temp. Range	-40° to 250°F (-40° to 120°C)
Weight	.19 lbs (.09 kg)
Operating Fluid Media	General Purpose Hydraulic Fluid
Cartridge Torque Requirements	25 ft-lbs (34 Nm)
Coil Nut Torque Requirements	4-6 ft-lbs (5.4-8.1 Nm)
Cavity	POWER 2W
Cavity Tools Kit	
(form tool, reamer, tap)	40500005
Seal Kit	21191102

WARNING: the specifications/application data shown in our catalogs and data sheets are intended only as a general guide for the product described (herein). Any specific application should not be undertaken without independent study, evaluation, and testing for suitability.

DIMENSIONS

ORDERING INFORMATION
Approximate Coil Weight: .42 lbs (.19 kg)
PB-S2G
OPTIONS

Buna Standard	00
Viton Standard	V0
Buna, Override, Detent	0M
Viton, Override, Detent	VM
Buna, Screen	A0
Viton, Screen	W0
Buna, Override, Nondetent	B1
Buna, Override, Nondetent	V1
Buna, Screen, Override, Nondetent	B3
Viton, Screen, Override, Nondetent	V3
Buna, Screen, Override, Detent	B4
Viton, Screen, Override, Detent	V4

Note: use screen only if flow direction is from (1) to (2)

"P" COIL TERMINATION
(All DC Except as Noted)

DL Double Lead
DT Deutsch on Leads DT04-2P
ML Metri-Pack on Leads
PL Packard on Leads
WL Weatherpack on Leads

SS Single Spade
DS Double Spade
HC DIN 43650 (Hirschmann) - (AC&DC)
CL Conduit Lead - (AC Only)
DI Deutsch - Integral DT04-2P

BODIES

Blank Without Body
N 1/4 NPTF Ports
S #6 SAE Ports

VOLTAGE

06 6 VDC
12 12 VDC
24 24 VDC
36 36 VDC
48 48 VDC
25 24 VAC
11 115 VAC
22 220 VAC
44 440 VAC

IMMERSION PROOF "P" TYPE

IA "I" Coil AMP Superseal - Integral
ID "I" Coil Deutsch - Integral DT04-2P
IJ "I" Coil AMP Jr. Timer - Integral
IM "I" Coil Metri-Pack - Integral