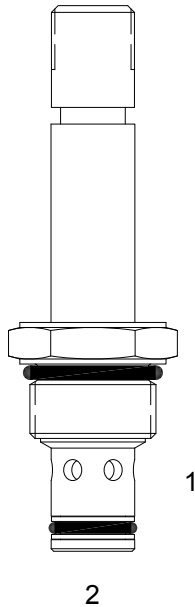


PB-S2H DIRECT ACTING SPOOL, 2 WAY NORMALLY OPEN

DESCRIPTION

8 size, 3/4-16 thread, "Power" series, solenoid operated, 2 way normally open, spool valve.

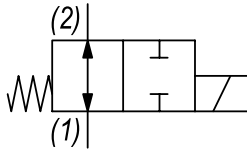
OPERATION

When de-energized the PB-S2H allows flow from (1) to (2) and (2) to (1). When energized the valve blocks flow from (1) to (2) and (2) to (1).

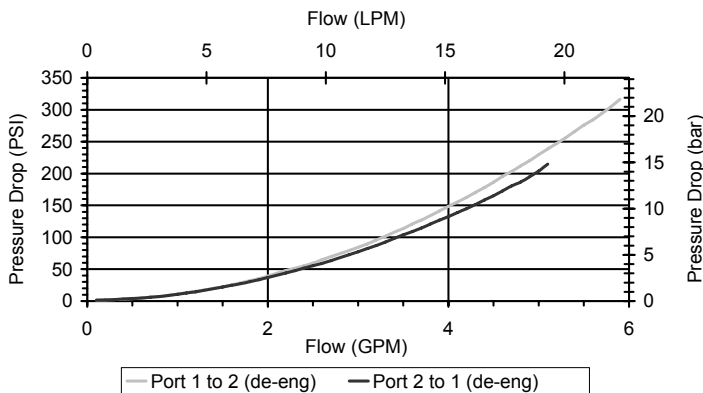
OPERATION OF MANUAL OVERRIDE OPTION: to override, pull knob out. On the detented version, after pulling knob out twist 180 degrees and release. The valve will remain in that position.

FEATURES

- Hardened parts for long life.
- Efficient wet-armature construction.
- Cartridges are voltage interchangeable.
- Manual override option.
- Industry common cavity.
- Unitized, molded coil design.
- Continuous duty rated solenoid.
- Optional coil voltages and terminations.
- Optional "I" Coil: Weatherproof, Thermal Shock, Imersion Safe.

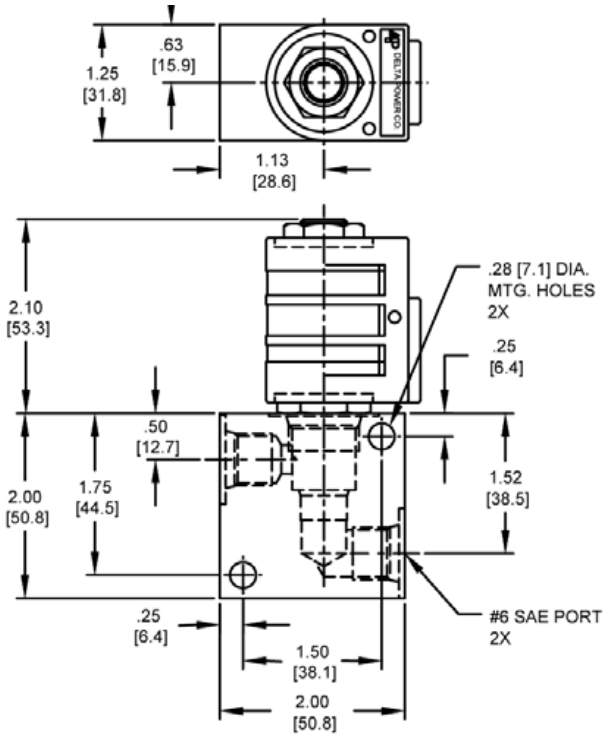
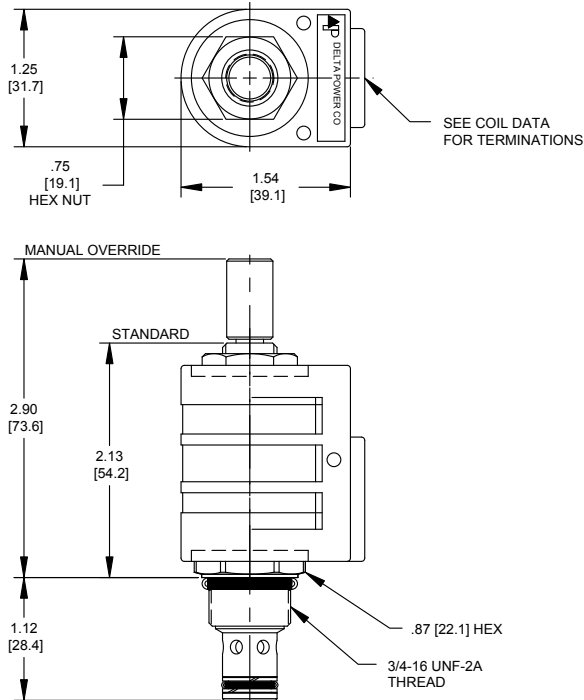
HYDRAULIC SYMBOL

PERFORMANCE

Actual Test Data (Cartridge Only)


VALVE SPECIFICATIONS

Nominal Flow	5 GPM (19 LPM) from (1) to (2) 3 GPM (11 LPM) from (2) to (1)
Rated Operating Pressure	3000 PSI (207 bar)
Typical Internal Leakage (150 SSU)	5 cu in/min (82 ml/min)
Viscosity Range	36 to 3000 SSU (3 to 647 cSt)
Filtration	ISO 18/16/13
Media Operating Temp. Range	-40° to 250°F (-40° to 120°C)
Weight	.19 lbs (.09 kg)
Operating Fluid Media	General Purpose Hydraulic Fluid
Cartridge Torque Requirements	25 ft-lbs (34 Nm)
Coil Nut Torque Requirements	4-6 ft-lbs (5.4-8.1 Nm)
Cavity	POWER 2W
Cavity Tools Kit	
(form tool, reamer, tap)	40500005
Seal Kit	21191102

DIMENSIONS



ORDERING INFORMATION

Approximate Coil Weight: .42 lbs (.19 kg)

PB-S2H

<p>OPTIONS</p> <p>Buna Standard 00</p> <p>Viton Standard V0</p> <p>Buna, Override, Detent 0M</p> <p>Viton, Override, Detent VM</p> <p>Buna, Screen A0</p> <p>Viton, Screen W0</p> <p>Buna, Override, Nondetent B1</p> <p>Buna, Override, Nondetent V1</p> <p>Buna, Screen, Override, Nondetent B3</p> <p>Viton, Screen, Override, Nondetent V3</p> <p>Buna, Screen, Override, Detent B4</p> <p>Viton, Screen, Override, Detent V4</p> <p>Note: use screen only if flow direction is from (1) to (2)</p>	<p>BODIES</p> <p>Blank Without Body</p> <p>N 1/4 NPTF Ports</p> <p>S #6 SAE Ports</p>	<p>VOLTAGE</p> <p>06 6 VDC</p> <p>12 12 VDC</p> <p>24 24 VDC</p> <p>36 36 VDC</p> <p>48 48 VDC</p> <p>25 24 VAC</p> <p>11 115 VAC</p> <p>22 220 VAC</p> <p>44 440 VAC</p>
---	--	---

"P" COIL TERMINATION
(All DC Except as Noted)

- DL** Double Lead
- DT** Deutsch on Leads DT04-2P
- ML** Metri-Pack on Leads
- PL** Packard on Leads
- WL** Weatherpack on Leads

- SS** Single Spade
- DS** Double Spade
- HC** DIN 43650 (Hirschmann) - (AC&DC)
- CL** Conduit Lead - (AC Only)
- DI** Deutsch - Integral DT04-2P

IMMERSION PROOF "P" TYPE

- IA** "I" Coil AMP Superseal - Integral
- ID** "I" Coil Deutsch - Integral DT04-2P
- IJ** "I" Coil AMP Jr. Timer - Integral
- IM** "I" Coil Metri-Pack - Integral

WARNING: the specifications/application data shown in our catalogs and data sheets are intended only as a general guide for the product described (herein). Any specific application should not be undertaken without independent study, evaluation, and testing for suitability.