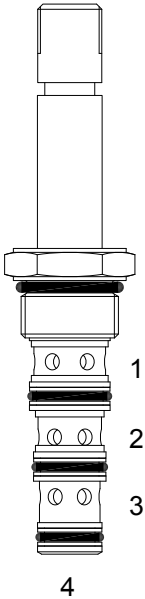


**PQ-S4A DIRECT ACTING SPOOL, 4 WAY 2 POSITION**

**DESCRIPTION**

8 size, 3/4-16 thread, "Power" series, solenoid operated, 4 way 2 position, spool valve.

**OPERATION**

When de-energized the PQ-S4A allows flow from (1) to (4) and from (2) to (3). When energized the valve allows flow from (2) to (1) and from (3) to (4).

**OPERATION OF MANUAL OVERRIDE OPTION:** to override, pull knob out. On the detented version, after pulling knob out twist 180 degrees and release. The valve will remain in that position.

**FEATURES**

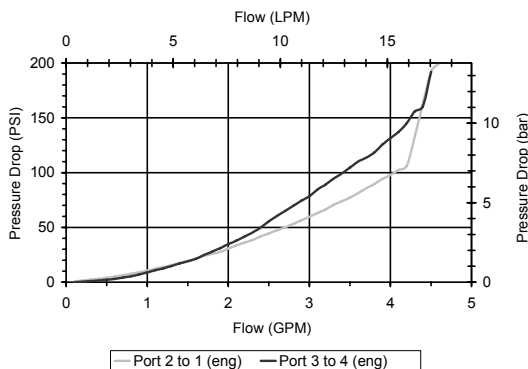
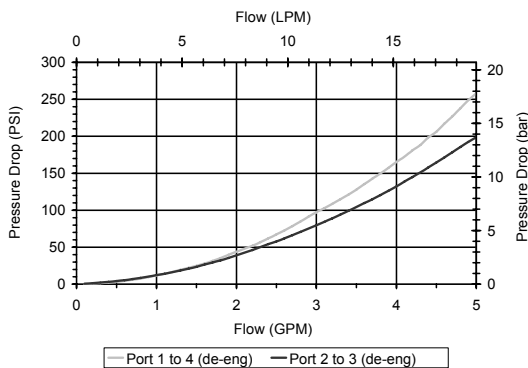
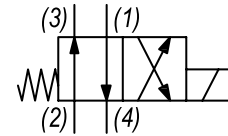
- Hardened parts for long life.
- Efficient wet-armature construction.
- Cartridges are voltage interchangeable.
- Manual override option.
- Industry common cavity.
- Unitized, molded coil design.
- Continuous duty rated solenoid.
- Optional coil voltages and terminations.
- Optional "I" Coil: Weatherproof, Thermal Shock, Immersion Safe.



*Modes of shift operation to 6 GPM, Consult Factory.*

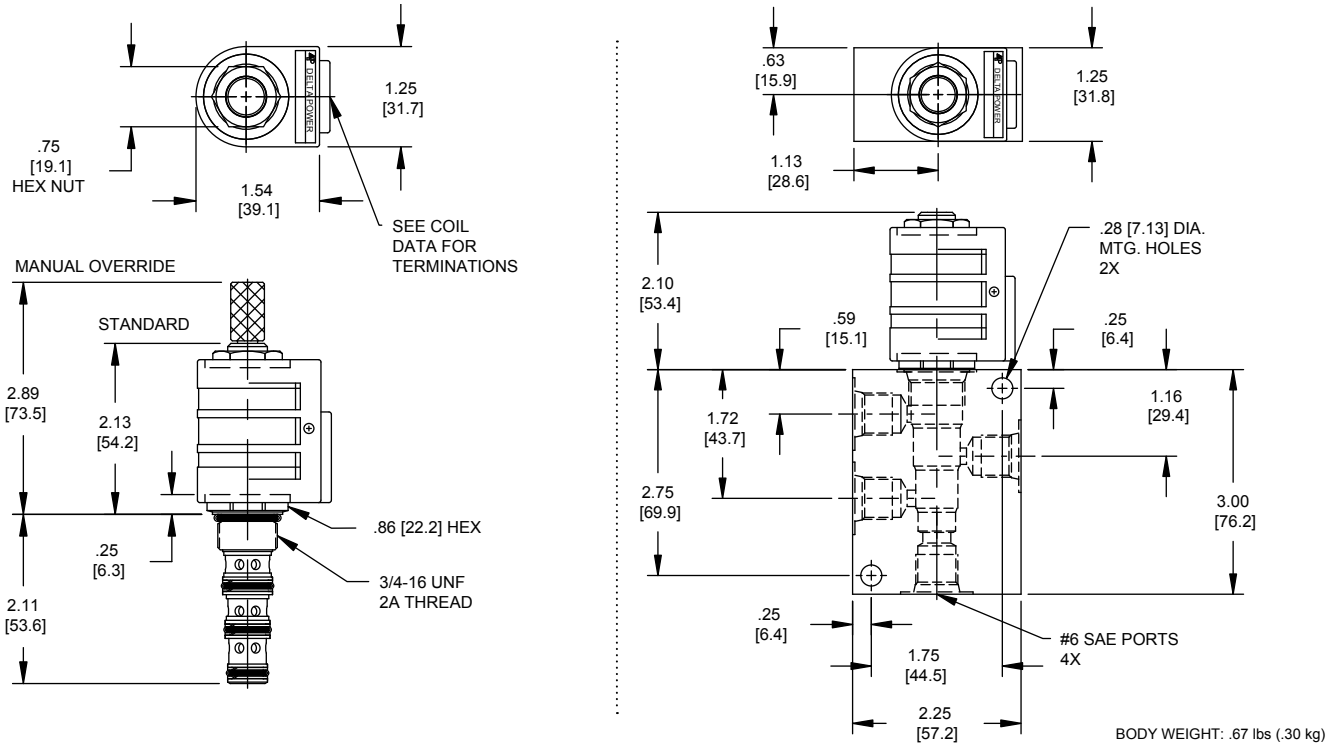
**PERFORMANCE**

Actual Test Data (Cartridge Only)


**HYDRAULIC SYMBOL**

**VALVE SPECIFICATIONS**

Nominal Flow	4 GPM (15 LPM)
Rated Operating Pressure	3000 PSI (207 bar)
Typical Internal Leakage (150 SSU)	5 cu in/min (82 ml/min)
Viscosity Range	36 to 3000 SSU (3 to 647 cSt)
Filtration	ISO 18/16/13
Media Operating Temp. Range	-40° to 250°F (-40° to 120°C)
Weight	.24 lbs (.11 kg)
Operating Fluid Media	General Purpose Hydraulic Fluid
Cartridge Torque Requirements	25 ft-lbs (34 Nm)
Coil Nut Torque Requirements	4-6 ft-lbs (5.4-8.1 Nm)
Cavity	POWER 4W
Cavity Tools Kit	
(form tool, reamer, tap)	40500029
Seal Kit	21191108

**DIMENSIONS**



**ORDERING INFORMATION**

Approximate Coil Weight: .42 lbs (.19 kg)

**PQ-S4A**

- OPTIONS**
- Buna Standard **00**
  - Viton Standard **V0**
  - Buna, Override, Detent **0M**
  - Viton, Override, Detent **VM**
  - Buna, Override, Nondetent **B1**
  - Buna, Override, Nondetent **V1**

- BODIES**
- Blank Without Body
  - N** 1/4 NPTF Ports
  - S** #6 SAE Ports

- VOLTAGE**
- 06** 6 VDC
  - 12** 12 VDC
  - 24** 24 VDC
  - 36** 36 VDC
  - 48** 48 VDC
  - 25** 24 VAC
  - 11** 115 VAC
  - 22** 220 VAC
  - 44** 440 VAC

**"P" COIL TERMINATION**  
(All DC Except as Noted)

- DL** Double Lead
- DT** Deutsch on Leads DT04-2P
- ML** Metri-Pack on Leads
- PL** Packard on Leads
- WL** Weatherpack on Leads

- SS** Single Spade
- DS** Double Spade
- HC** DIN 43650 (Hirschmann) - (AC&DC)
- CL** Conduit Lead - (AC Only)
- DI** Deutsch - Integral DT04-2P

**IMMERSION PROOF "P" TYPE**

- IA** "I" Coil AMP Superseal - Integral
- ID** "I" Coil Deutsch - Integral DT04-2P
- IJ** "I" Coil AMP Jr. Timer - Integral
- IM** "I" Coil Metri-Pack - Integral

**WARNING:** the specifications/application data shown in our catalogs and data sheets are intended only as a general guide for the product described (herein). Any specific application should not be undertaken without independent study, evaluation, and testing for suitability.