

**PQ-S4N DIRECT ACTING SPOOL, 4 WAY 3 POSITION, TANDEM CENTER**

**DESCRIPTION**

8 size, 3/4-16 thread, "Power" series, solenoid operated, 4 way 3 position, tandem center spool valve.

**OPERATION**

When de-energized the PQ-S4N allows flow between (2) and (4), blocks flow at (1) and (3). When outer coil (S1) is energized the valve allows flow from (2) to (3) and from (1) to (4). When inner coil (S2) is energized the valve allows flow from (2) to (1) and from (3) to (4).

**OPERATION OF MANUAL OVERRIDE OPTION:** push Only Override - Spring biased in neutral center position, when pushed the valve shifts in the (S2) direction.

**FEATURES**

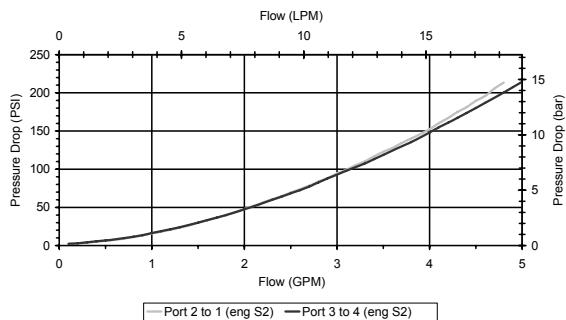
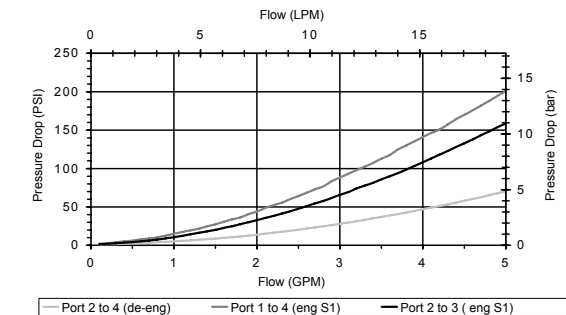
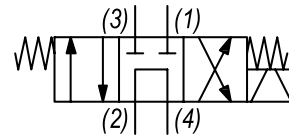
- Hardened parts for long life.
- Efficient wet-armature construction.
- Cartridges are voltage interchangeable.
- Industry common cavity.
- Optional manual "push only" override.
- Unitized, molded coil design.
- Continuous duty rated solenoid.
- Optional coil voltages and terminations.



Uses "D" Delta coil. "OP" override is a push only non-detented button that actuates (S2) direction.

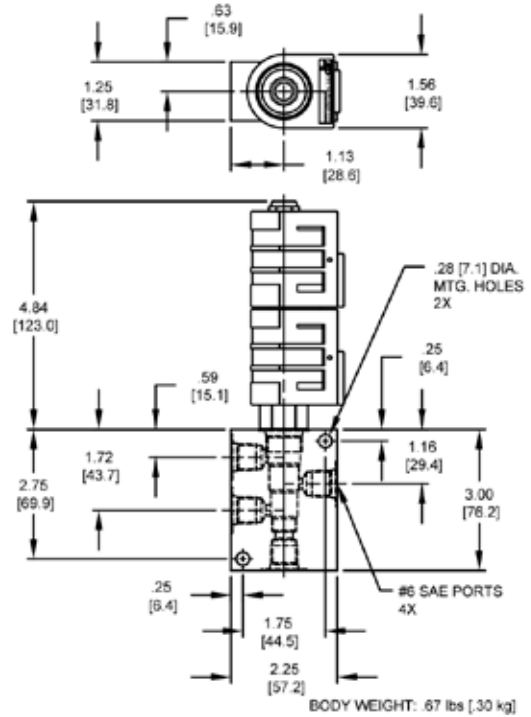
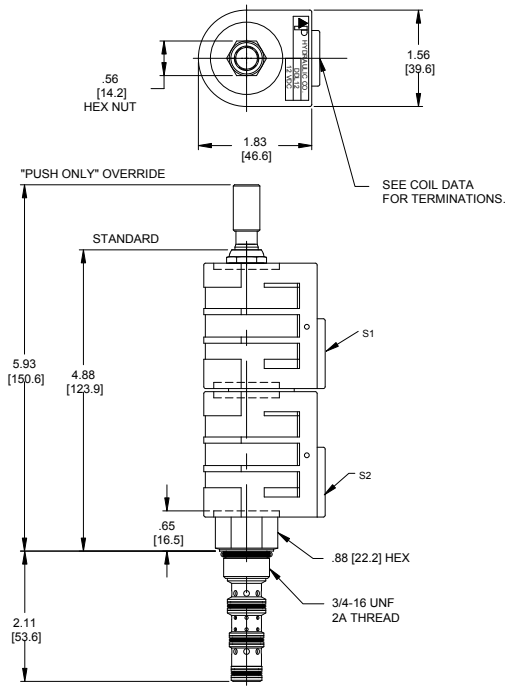
**PERFORMANCE**

Actual Test Data (Cartridge Only)


**HYDRAULIC SYMBOL**

**VALVE SPECIFICATIONS**

Nominal Flow	5 GPM (19 LPM)
Rated Operating Pressure	3000 PSI (207 bar)
Typical Internal Leakage (150 SSU)	5 cu in/min (82 ml/min) per path
Viscosity Range	36 to 3000 SSU (3 to 647 cSt)
Filtration	ISO 18/16/13
Media Operating Temp. Range	-40° to 250°F (-40° to 120°C)
Weight	.42 lbs (.19 kg)
Operating Fluid Media	General Purpose Hydraulic Fluid
Cartridge Torque Requirements	25 ft-lbs (34 Nm)
Coil Nut Torque Requirements	4-6 ft-lbs (5.4-8.1 Nm)
Cavity	POWER 4W
Cavity Tools Kit (form tool, reamer, tap)	40500029
Seal Kit	21191108

DIMENSIONS



ORDERING INFORMATION

Approximate Coil Weight: .74 lbs (.33 kg)

PQ-S4N - - - -

**OPTIONS**

- Buna Standard **00**
- Viton Standard **V0**
- Buna, Push Only Override **0P**
- Viton, Push Only Override **VP**

**BODIES**

- Blank** Without Body
- N** 1/4 NPTF Ports
- S** #6 SAE Ports

**VOLTAGE**

- 06** 6 VDC
- 12** 12 VDC
- 24** 24 VDC
- 36** 36 VDC
- 48** 48 VDC
- 25** 24 VAC
- 11** 115 VAC
- 22** 220 VAC
- 44** 440 VAC

**"D" COIL TERMINATION**  
(All DC Except as Noted)

- DL** Double Lead
- DT** Deutsch on Leads DT04-2P
- ML** Metri-Pack on Leads
- PL** Packard on Leads
- WL** Weatherpack on Leads

- SS** Single Spade
- DS** Double Spade
- HC** DIN 43650 (Hirschmann) - (AC&DC)
- CL** Conduit Lead - (AC Only)
- DI** Deutsch - Integral DT04-2P

**WARNING:** the specifications/application data shown in our catalogs and data sheets are intended only as a general guide for the product described (herein). Any specific application should not be undertaken without independent study, evaluation, and testing for suitability.