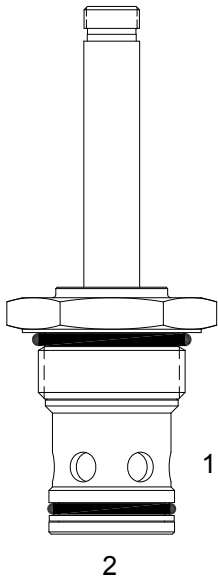


**SJ-S2C PILOT OPERATED POPPET, 2 WAY NORMALLY OPEN**

**DESCRIPTION**

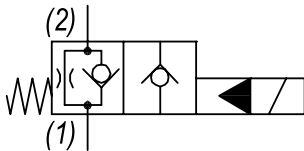
16 size, 1 5/16-12 thread, "SIXTEEN" series, solenoid operated, 2 way normally open, pilot operated poppet valve with free reverse flow energized.

**OPERATION**

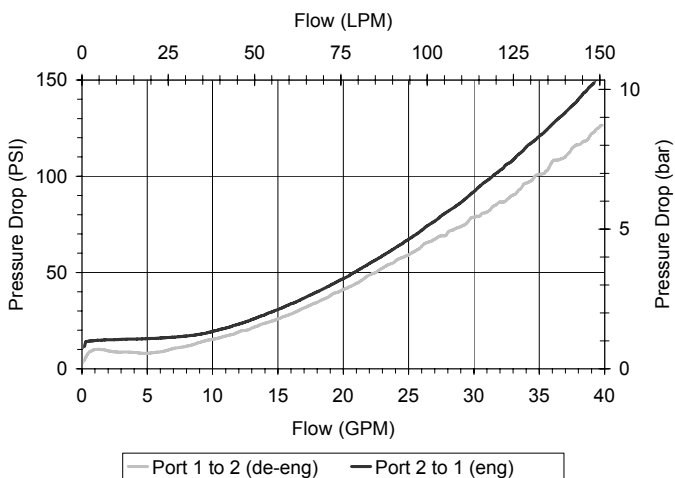
When de-energized the SJ-S2C allows flow to pass from (1) to (2), but restricts flow from (2) to (1).  
When energized the valve blocks flow from (1) to (2) but allows free reverse flow from (2) to (1).

**FEATURES**

- Hardened parts for long life.
- Efficient wet-armature construction.
- Cartridges are voltage interchangeable.
- Industry common cavity.
- Unitized, molded coil design.
- Continuous duty rated solenoid.
- Optional coil voltages and terminations.
- Optional "I" Coil: Weatherproof, Thermal Shock, Immersion Safe.

**HYDRAULIC SYMBOL**

**PERFORMANCE**

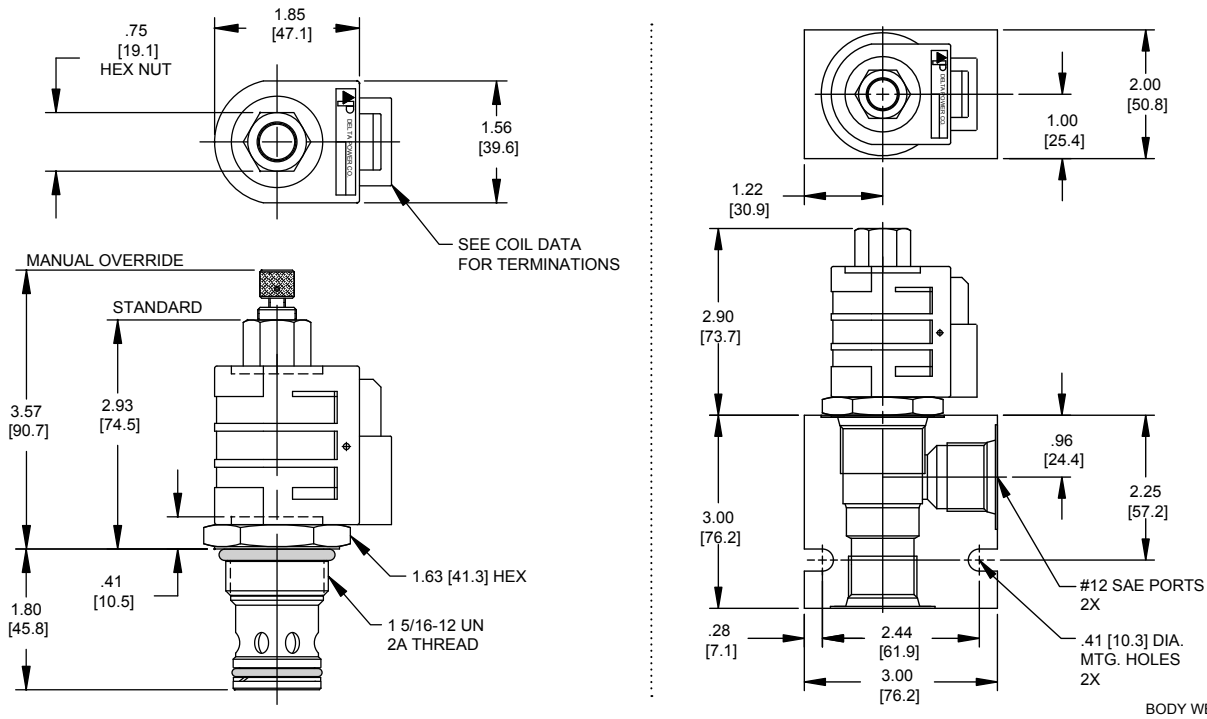
Actual Test Data (Cartridge Only)


**VALVE SPECIFICATIONS**

Nominal Flow	40 GPM (151 LPM)
Rated Operating Pressure	3000 PSI (207 bar)
Typical Internal Leakage (150 SSU)	0-10 drops/min
Viscosity Range	36 to 3000 SSU (3 to 647 cSt)
Filtration	ISO 18/16/13
Media Operating Temp. Range	-40° to 250°F (-40° to 120°C)
Weight	.74 lbs (.33 kg)
Operating Fluid Media	General Purpose Hydraulic Fluid
Cartridge Torque Requirements	90 ft-lbs (122 Nm)
Coil Nut Torque Requirements	4-6 ft-lbs (5.4-8.1 Nm)
Cavity	SIXTEEN 2W
Cavity Tools Kit	
(form tool, reamer, tap)	40500017
Seal Kit	21191400

**WARNING:** the specifications/application data shown in our catalogs and data sheets are intended only as a general guide for the product described (herein). Any specific application should not be undertaken without independent study, evaluation, and testing for suitability.

**DIMENSIONS**



BODY WEIGHT: 1.29 lbs (.58 kg)

**ORDERING INFORMATION**

Approximate Coil Weight: .74 lbs (.33 kg)

**SJ-S2C**

- OPTIONS**
- Buna Standard **00**
  - Viton Standard **V0**
  - Buna, Screen **A0**
  - Viton, Screen **W0**
  - Buna, Override, Knob **0K**
  - Viton, Override, Knob **VK**
  - Buna, Screen, Override **B2**
  - Viton, Screen, Override **V2**

**Note: use screen only if flow direction is from (1) to (2)**

**“D” COIL TERMINATION**  
(All DC Except as Noted)

- DL** Double Lead
- DT** Deutsch on Leads DT04-2P
- ML** Metri-Pack on Leads
- PL** Packard on Leads
- WL** Weatherpack on Leads

- SS** Single Spade
- DS** Double Spade
- HC** DIN 43650 (Hirschmann) - (AC&DC)
- CL** Conduit Lead - (AC Only)
- DI** Deutsch - Integral DT04-2P

- BODIES**
- Blank** Without Body
  - N** 3/4 NPTF Ports
  - S** #12 SAE Ports

- VOLTAGE**
- 06** 6 VDC
  - 12** 12 VDC
  - 24** 24 VDC
  - 36** 36 VDC
  - 48** 48 VDC
  - 25** 24 VAC
  - 11** 115 VAC
  - 22** 220 VAC
  - 44** 440 VAC

- IMMERSION PROOF “D” TYPE**
- IA** “I” Coil AMP Superseal - Integral
  - ID** “I” Coil Deutsch - Integral DT04-2P
  - IJ** “I” Coil AMP Jr. Timer - Integral
  - IM** “I” Coil Metri-Pack - Integral

W/44/12-2022

**WARNING:** the specifications/application data shown in our catalogs and data sheets are intended only as a general guide for the product described (herein). Any specific application should not be undertaken without independent study, evaluation, and testing for suitability.