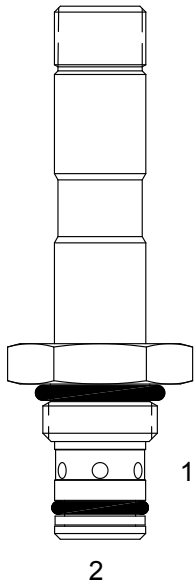


UA-S2A PILOT OPERATED POPPET, 2 WAY, NORMALLY CLOSED

DESCRIPTION

7 size, 5/8-18 thread, "Mini" series, solenoid operated, 2 way normally closed, pilot operated poppet valve with reverse flow de-energized.

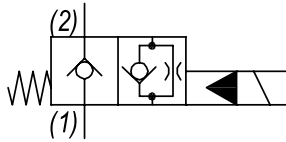
OPERATION

When de-energized the UA-S2A blocks flow from (1) to (2) and allows reverse flow from (2) to (1).

When energized, the valve allows flow from (1) to (2) and restricts flow from (2) to (1).

FEATURES

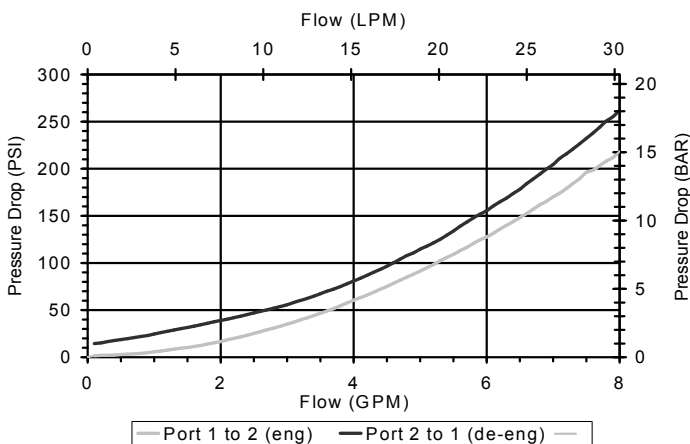
- Hardened parts for long life.
- Efficient wet-armature construction.
- Cartridges are voltage interchangeable.
- Industry common cavity.
- Unitized, molded coil design.
- Continuous duty rated solenoid.
- Optional coil voltages and terminations.

HYDRAULIC SYMBOL


Uses "P" or "PI" type coils

PERFORMANCE

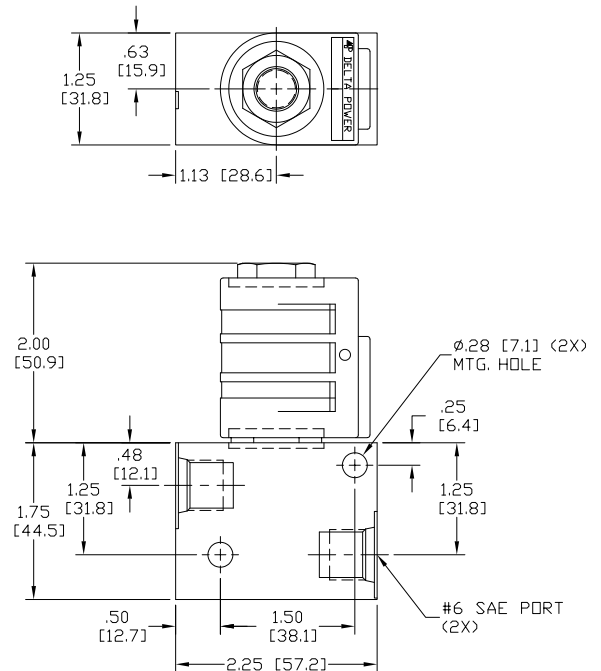
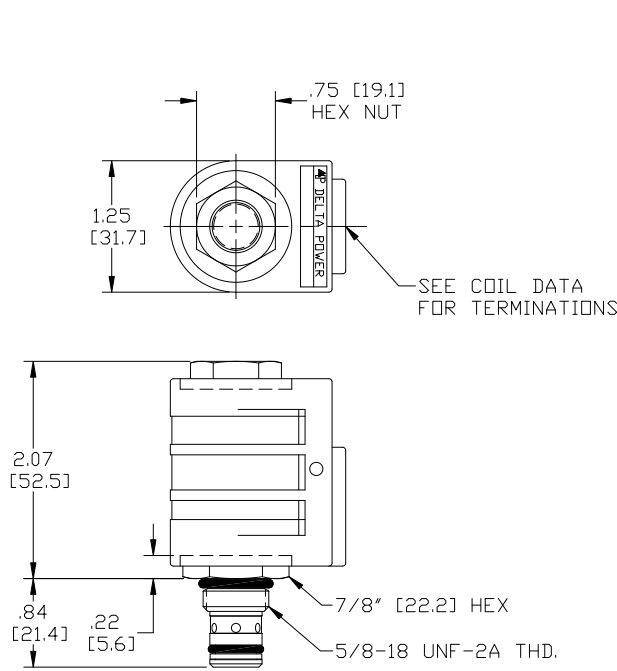
Actual Test Data (Cartridge Only)


VALVE SPECIFICATIONS

Nominal Flow	6 GPM (23 LPM)
Rated Operating Pressure	4000 PSI (276 bar)
Typical Internal Leakage (150 SSU)	0-5 drops/min
Viscosity Range	36 to 3000 SSU (3 to 647 cSt)
Filtration	ISO 18/16/13
Media Operating Temp. Range	-40° to 250°F (-40° to 120°C)
Weight	.13 lbs (.06 kg)
Operating Fluid Media	General Purpose Hydraulic Fluid
Cartridge Torque Requirements	15 ft-lbs (20.3 Nm)
Coil Nut Torque Requirements	4-6 ft-lbs (5.4-8.1 Nm)
Cavity	MINI 2W
Cavity Form Tool (Finishing)	40500003
Seal Kit	21191000

WARNING: the specifications/application data shown in our catalogs and data sheets are intended only as a general guide for the product described (herein). Any specific application should not be undertaken without independent study, evaluation, and testing for suitability.

DIMENSIONS



BODY WEIGHT: .40 lbs [18 kg.]

ORDERING INFORMATION

UA-S2A - - - -

Approximate Coil Weight: .30 lbs (.14 kg)

- OPTIONS**
- Buna Standard **00**
 - Viton Standard **V0**
 - Buna, Screen **A0**
 - Viton, Screen **W0**

Note: use screen only if flow direction is from (1) to (2)

- BODIES**
- Blank** Without Body
 - N** 1/4 NPTF Ports
 - S** #6 SAE Ports

Note: Aluminum, NOT durability rated for 4000 PSI. Consult factory for body options.

VOLTAGE

- 06** 6 VDC
- 12** 12 VDC
- 24** 24 VDC
- 36** 36 VDC
- 48** 48 VDC
- 25** 24 VAC
- 11** 120 VAC
- 22** 220 VAC
- 44** 440 VAC

"P" COIL TERMINATION
(All DC Except as Noted)

- DL** Double Lead
- DT** Deutsch on Leads DT04-2P
- ML** Metri-Pack on Leads
- PL** Packard on Leads
- WL** Weatherpack on Leads

- SS** Single Spade
- DS** Double Spade
- HC** DIN 43650 (Hirschmann) - (AC&DC)
- CL** Conduit Lead - (AC Only)
- DI** Deutsch - Integral DT04-2P

- IMMERSION PROOF "P" TYPE**
- IA** "I" Coil AMP Superseal - Integral
 - ID** "I" Coil Deutsch - Integral DT04-2P
 - IJ** "I" Coil AMP Jr. Timer - Integral
 - IM** "I" Coil Metri-Pack - Integral

W/44/12-2022

WARNING: the specifications/application data shown in our catalogs and data sheets are intended only as a general guide for the product described (herein). Any specific application should not be undertaken without independent study, evaluation, and testing for suitability.