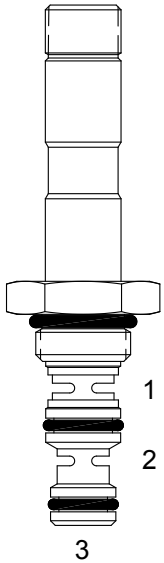


UC-S3T DIRECT ACTING SPOOL, 3 WAY 2 POSITION, TRANSMISSION & BRAKE

DESCRIPTION

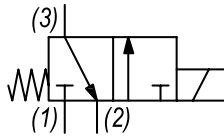
7 size, 5/8-18 thread, "Mini" series, solenoid operated, 3 way 2 position, transmission & brake spool valve.

OPERATION

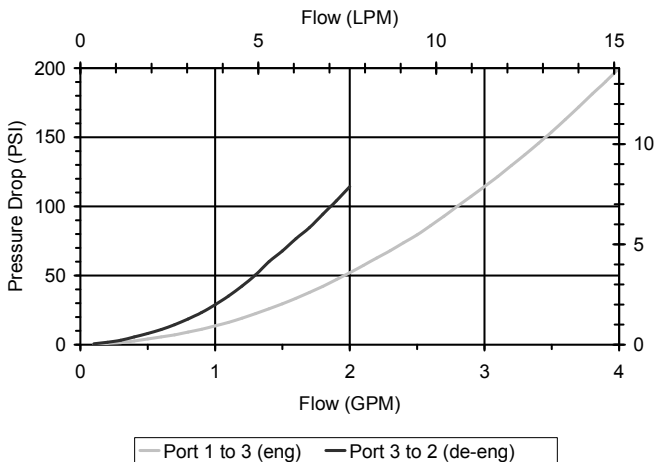
When de-energized the UC-S3T blocks flow at (1) and allows flow from (3) to (2). When energized, the valve allows flow from (1) to (3) and blocks flow at (2).

FEATURES

- Hardened parts for long life.
- Efficient wet-armature construction.
- Cartridges are voltage interchangeable.
- Industry common cavity.
- Unitized, molded coil design.
- Continuous duty rated solenoid.
- Optional coil voltages and terminations.

HYDRAULIC SYMBOL

PERFORMANCE

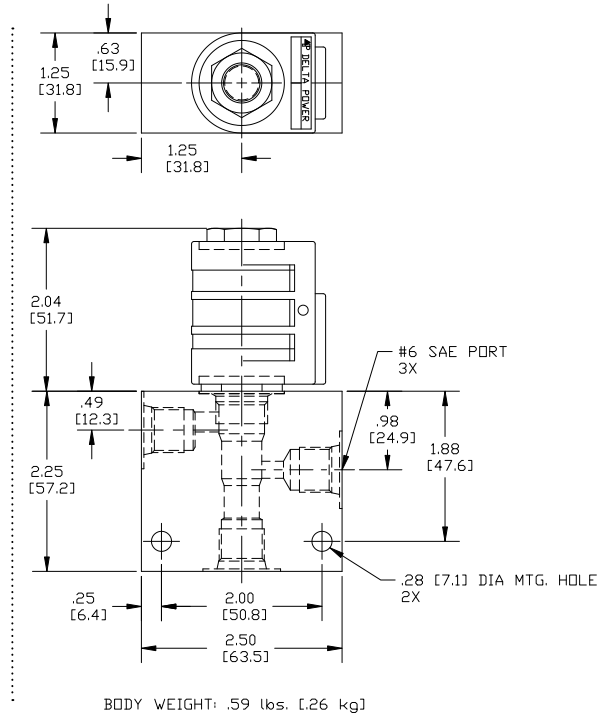
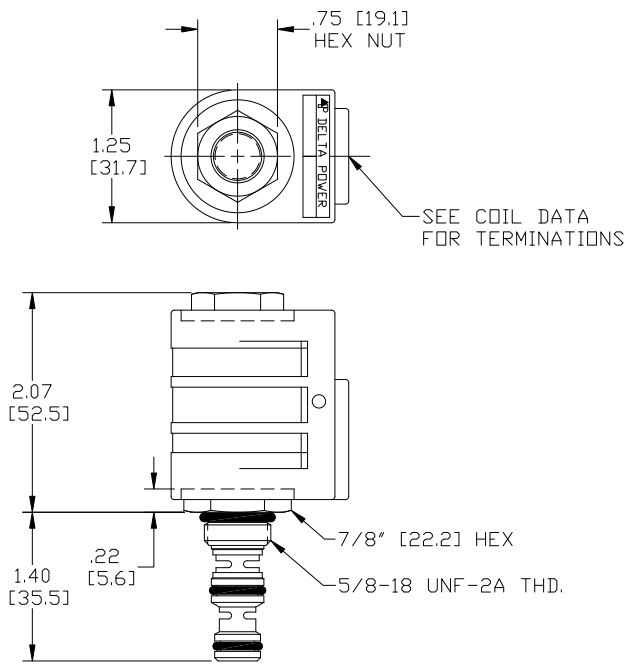
Actual Test Data (Cartridge Only)


VALVE SPECIFICATIONS

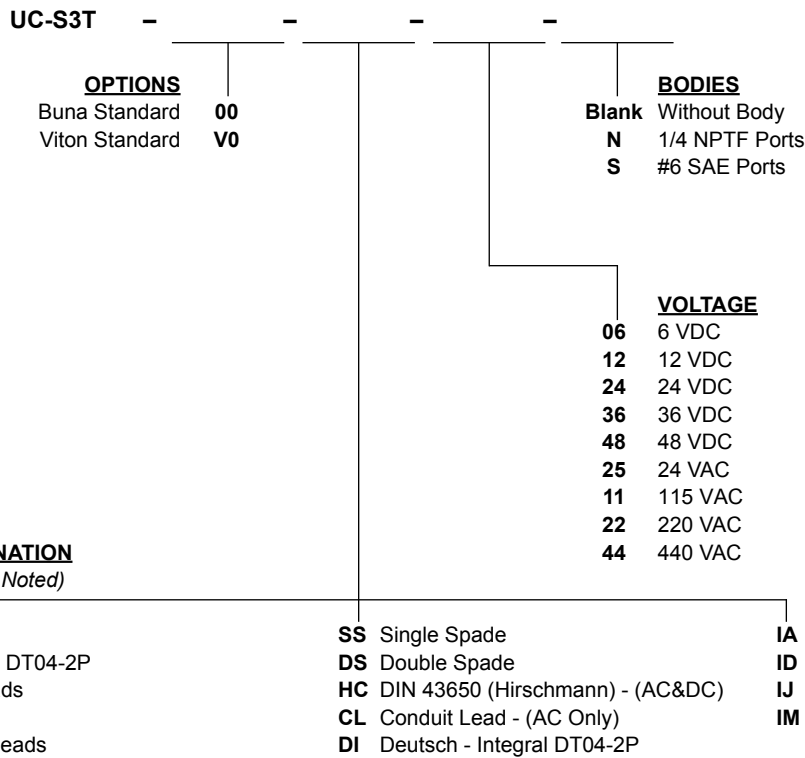
Nominal Flow	3 GPM (11 LPM) from (1) to (3) 2 GPM (8 LPM) from (3) to (2)
Rated Operating Pressure	1500 PSI (103 bar)
Typical Internal Leakage (150 SSU)	8 cu in/min (131 ml/min)
Viscosity Range	36 to 3000 SSU (3 to 647 cSt)
Filtration	ISO 18/16/13
Media Operating Temp. Range	-40° to 250°F (-40° to 120°C)
Weight	.14 lbs (.06 kg)
Operating Fluid Media	General Purpose Hydraulic Fluid
Cartridge Torque Requirements	15 ft-lbs (20.3 Nm)
Coil Nut Torque Requirements	4-6 ft-lbs (5.4-8.1 Nm)
Cavity	MINI 3W
Cavity Form Tool (Finishing)	40500004
Seal Kit	21191006

WARNING: the specifications/application data shown in our catalogs and data sheets are intended only as a general guide for the product described (herein). Any specific application should not be undertaken without independent study, evaluation, and testing for suitability.

DIMENSIONS



ORDERING INFORMATION



Approximate Coil Weight: .30 lbs (.14 kg)

Note: Aluminum, NOT durability rated for 4000 PSI. Consult factory for body options.

W/44/12-2022

WARNING: the specifications/application data shown in our catalogs and data sheets are intended only as a general guide for the product described (herein). Any specific application should not be undertaken without independent study, evaluation, and testing for suitability.