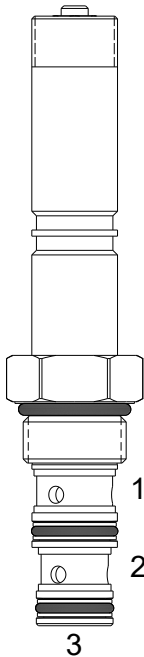


EPP-FAP 3 WAY, PRESSURE COMPENSATED PRIORITY TYPE PROPORTIONAL FLOW REGULATOR

DESCRIPTION

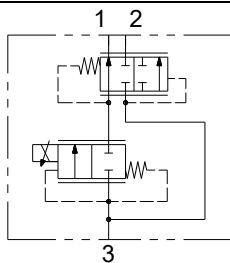
8 size, 3/4-16 thread, "Power" series, solenoid operated, normally closed, spool style, 3-way priority type pressure compensated proportional flow regulator. It can also be used as a restrictive-type 2-way, pressure compensated flow regulator when the bypass line (Port 2) is blocked.

OPERATION

EPP-FAP maintains a constant flow rate out of (1) regardless of load pressure variations in the circuit upstream of (3) and regardless of bypass pressure variations in the circuit downstream of (2). Excess flow bypasses out of (2). When coil is not energized, there is no regulated flow out of (1).

FEATURES

- Hardened parts for long life.
- Industry common cavity.
- Excellent linearity and low hysteresis characteristics.
- Cartridges are voltage interchangeable.
- Optional coil voltages and terminations available.
- Unitized, molded coil design.
- Continuous duty rated solenoid.

HYDRAULIC SYMBOL


It can be used as a restrictive 2-way pressure-compensated flow control valve, blocking bypass line port (2). See Regulated Flow vs Pressure (2 Way) below.

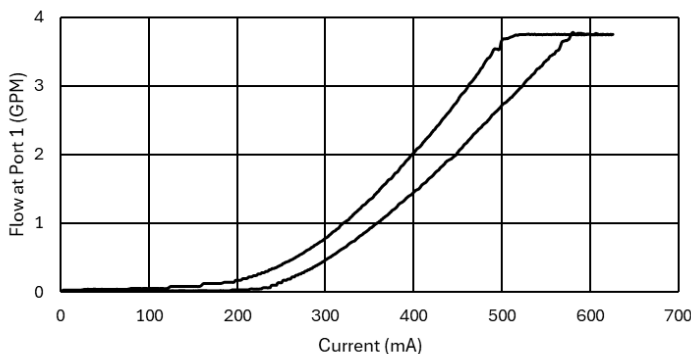


100-150 Hz PWM or 100-200 Hz Dither Frequency Recommended.

Consult Factory for other coil options (Note: "I" coil alters valve performance).

PERFORMANCE

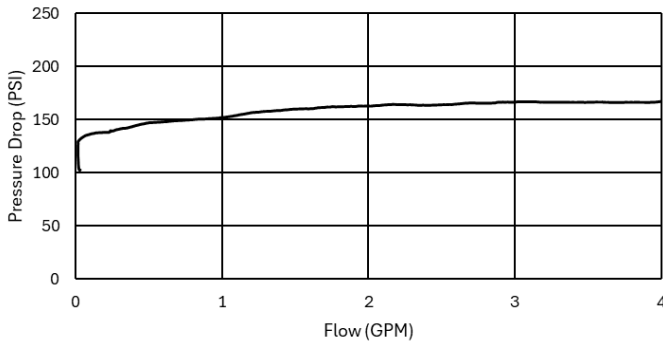
Flow vs. Current


VALVE SPECIFICATIONS

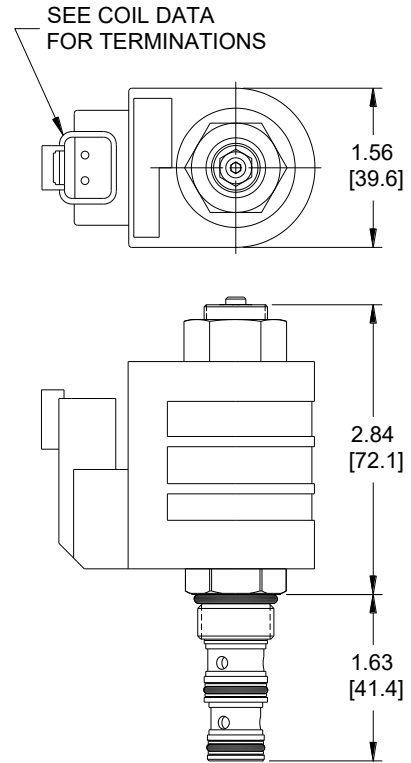
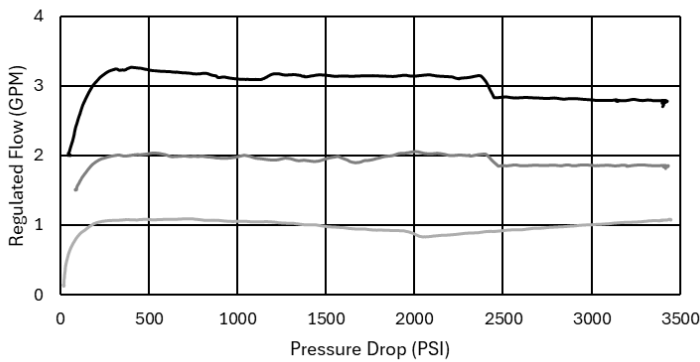
| | |
|-----------------------------------|--|
| Flow Range | 3 GPM Maximum [11 LPM] |
| Max System Pressure | 3500 PSI (241 bar) |
| Leakage | 10 cu-in./min. @ 3000 PSI 160 cc/min. @ 207 bar |
| Hysteresis | ±5% |
| Viscosity Range | 36 to 3000 SSU (3 to 647 cSt) |
| Filtration | ISO 18/16/13 |
| Media Operating Temperature Range | -22° to 212° F (-30° to 100° C) |
| Weight | 0.39 lbs. (0.18 kg) |
| Operating Fluid Media | General Purpose Hydraulic Fluid |
| Cartridge Torque Requirements | 25 ft-lbs (34 Nm) |
| Coil Nut Torque Requirements | 4-6 ft-lbs (5.4-8.1 Nm) |
| Cavity | POWER 3W |
| Cavity Form Tool (Finishing) | 40500024 |
| Seal Kit | 21191104 |

DIMENSIONS

Pressure Drop 3 → 2



Regulated Flow vs. Pressure (2 Ways)



ORDERING INFORMATION

EPP-FAP

OPTIONS
Buna Standard

00

Blank
N
S

BODIES
Without Body
1/4 NPTF Ports
#6 SAE Ports

VOLTAGE

06 6 VDC
12 12 VDC
24 24 VDC
36 36 VDC
48 48 VDC
25 24 VAC
11 120 VAC
22 220 VAC
44 440 VAC

“L” COIL TERMINATION
(All DC Except as Noted)

DL Double Lead
DT Deutsch on Leads DT04-2P
ML Metri-Pack on Leads
PL Packard on Leads
WL Weatherpack on Leads

SS Single Spade
DS Double Spade
HC DIN 43650 (Hirschman) – (AC & DC)
CL Conduit Lead – (AC Only)
DI Deutsch – Integral DT04-2P

Approximate Coil Weight: .68 lbs. (.31 kg.)

WARNING: the specifications/application data shown in our catalogs and data sheets are intended only as a general guide for the product described (herein). Any specific application should not be undertaken without independent study, evaluation, and testing for suitability.